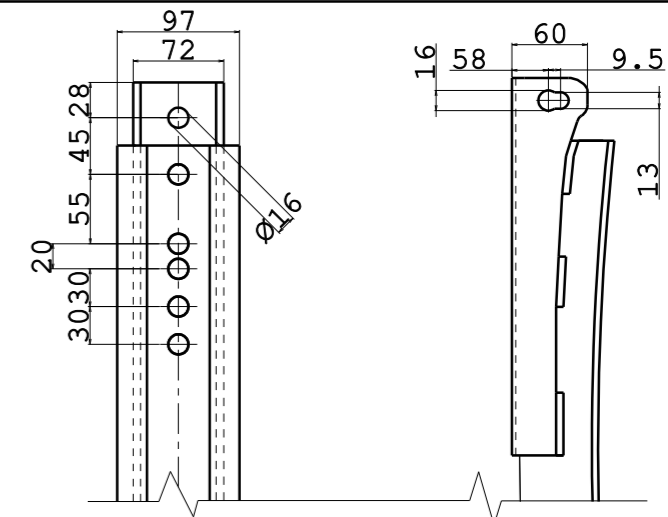


5 SUPPORT CONNECTION DETAIL

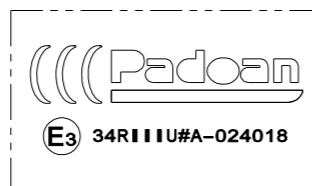


Scale 1:6

Tank composition

Pos.	Denomination	Q.ty
1	FILLING CAP	1
2	LEVEL INDICATOR VDO TYPE CONNECTION	1
3	DIESEL DRAINAGE	1
4	PARTITION	3
5	SUPPORT 63/70	3
6	STRAP	3
7	GROUND CONNECTION	1

MARK DETAIL



Tank dimension

1	PUT ON GROUND CONECTION, NEW OMOLOGATION AND SUPPORT CONNECTION	07/11/2013	AF	MM	BM
0	EMISSION	15/01/2008	MM	CGP	PF
Rev.	Description	Date	Dis.	Ver.	App.
Part name : Diesel oil tank 670 L Al/Steel/Stainl.Steel fam. 636x706					
Full capacity 693Lt		Part code : NSG (X) 0670170C100	Replace the	Material code	
Support weight 40.5 Kg		Scale 1:12	Replaced by	(X)=F:Steel DC 01 EK EN 10209	
Tank weight (F,I,T) kg (A) kg				(X)=I:Stainless steel AISI 304	
Dimensions 1700x636x706 mm				(X)=T:Text.Stainl.Steel. AISI 304	
				(X)=A:Aluminium EN AW 5754	
				General tolerances: ISO 2768 V	
				Drawing format A3	
				OWNERSHIP OF THIS DRAWING IS RESERVED BY LAW AND MAY NOT BE REPRODUCED IN WHOLE OR IN PART WITHOUT PERMISSION OF PADOAN S.R.L.	
				DO NOT MAKE MEASUREMENTS ON DRAWING DO NOT CHANGE WITHOUT TECHNICAL OFFICE AUTHORIZATION	