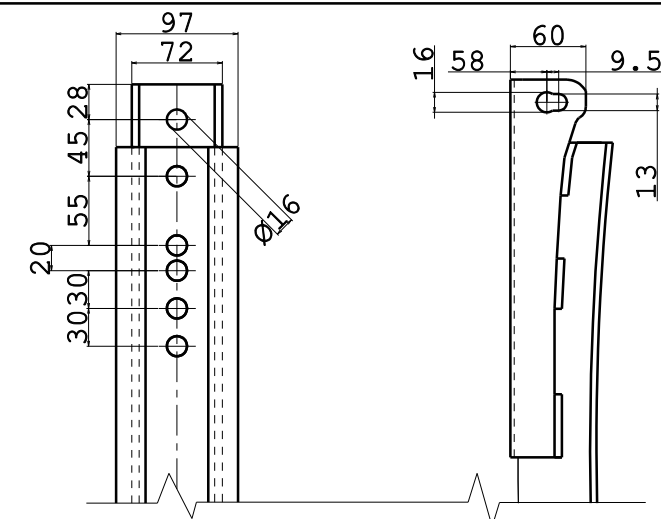


5 SUPPORT CONNECTION DETAIL



Scale 1:6

Tank composition

Pos.	Denomination	Q.ty
1	FILLING CAP	1
2	LEVEL INDICATOR VDO TYPE CONNECTION	1
3	DIESEL DRAINAGE	1
4	PARTITION	3
5	SUPPORT 63/70	2
6	STRAP	2
7	GROUND CONNECTION	1

MARK DETAIL



Tank dimension

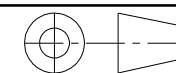
Full capacity	605Lt
Support weight	27 Kg
Tank weight (F,I,T)	kg (A) kg
Dimensions	1500x636x706 mm

Rev.	Description	Date	Dis.	Ver.	App.
2	NEW LOGO PADOAN	09/03/2016	FM	MM	EB
1	PUT ON GROUND CONECTION, NEW OMOLOGATION AND SUPPORT CONNECTION	07/11/2013	AF	MM	BM
0	EMISSION	15/01/2008	MM	CGP	PF

Part name : Diesel oil tank 600 L Al/Steel/Stainl.Steel fam. 636x706

Part code : NSG (X) 0600150C100

OUT OF SCALE



Replace the Replaced by

Material code
 (X)=F:Steel DC03A EN 10130
 (X)=I:Stainless steel AISI 304 UNI EN 10088
 (X)=T:Textured stainless steel. AISI 304 UNI EN 10088
 (X)=A:Aluminium EN AW 5754

General tolerances: ISO 2768 V

Drawing format A3

OWNERSHIP OF THIS DRAWING IS RESERVED BY LAW AND MAY NOT REPRODUCED IN WHOLE OR IN PART WITHOUT PERMISSION OF PADOAN S.R.L.

DO NOT MAKE MEASUREMENTS ON DRAWING DO NOT CHANGE WITHOUT TECHNICAL OFFICE AUTHORIZATION

