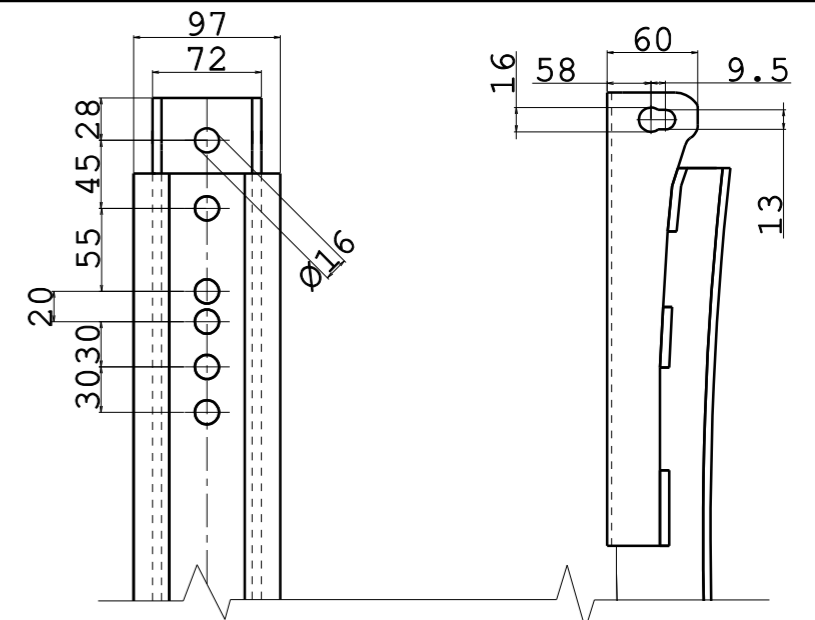


4 SUPPORT CONNECTION DETAIL



Tank composition

Pos.	Denomination	Q.ty
1	FILLING CAP	1
2	LEVEL INDICATOR VDO TYPE CONNECTION	1
3	DIESEL DRAINAGE	1
4	PARTITION	2
5	SUPPORT 70/70	2
6	STRAP	2
7	GROUND CONNECTION	1

MARK DETAIL



Tank dimension

Full capacity	495 Lt
Support weight	27 Kg
Tank weight	(F,I,T) kg (A) kg
Dimensions	1100x700x700 mm

Rev.	Description	Date	Dis.	Ver.	App.
2	NEW LOGO PADOAN	09/03/2016	FM	MM	EB
1	PUT ON GROUND CONECTION, NEW OMOLOGATION AND SUPPORT CONNECTION	26/11/2013	AF	MM	BM
0	EMISSION	11/12/2007	MM	CGP	PF

Part name : Diesel oil tank 500 L Al/Steel/Stainl.Steel fam. 700x700		Material code		General tolerances: ISO 2768 V
Part code : NSG (X) 0500110C100	Replace the	(X)=F:Steel DC03A EN 10130		
Scale 1:10	Replaced by	(X)=I:Stainless steel AISI 304 UNI EN 10088 (X)=T:Textured stainless steel. AISI 304 UNI EN 10088		
		(X)=A:Aluminium EN AW 5754		Drawing format A3
<small>OWNERSHIP OF THIS DRAWING IS RESERVED BY LAW AND MAY NOT REPRODUCED IN WHOLE OR IN PART WITHOUT PERMISSION OF PADOAN S.R.L.</small>				<small>DO NOT MAKE MEASUREMENTS ON DRAWING DO NOT CHANGE WITHOUT TECHNICAL OFFICE AUTHORIZATION</small>