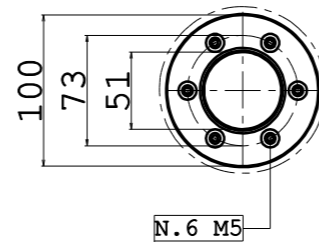
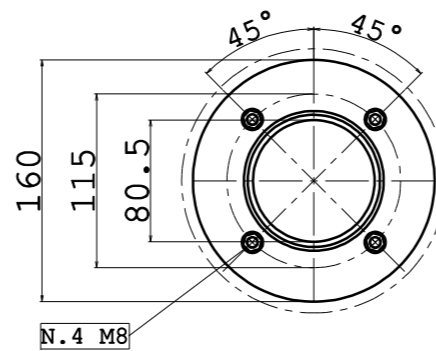


1 OIL CAP FLANGE

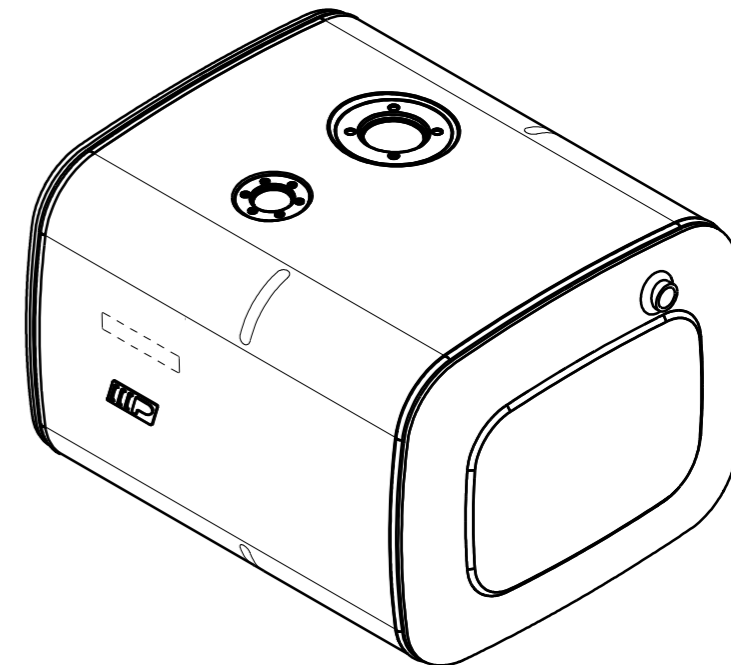


SCALE 1:5

2 RETURN FILTER FLANGE



SCALE 1:5



Tank composition

Pos.	Denomination	Q.ty
1	OIL CAP FLANGE	1
2	RETURN FILTER FLANGE	1
3	1" LEVEL INDICATOR	1
4	OIL RETURN CONNECTION 1"	2
5	OIL SUCTION CONNECTION 1" 1/2	1

Tank dimension

Level indicator capacity	170 Lt
Full capacity	215 Lt
Support weight	20 Kg
Tank weight (F,I,T)	kg (A) kg
Dimensions	780x500x640 mm

Rev.	Modify description	Date	Des.	Ver.	App.
3	NEW 45° MF FLANGE NEW PADOAN LOGO	23/05/2016	MM	MM	EB
2	REMOVED FIX KIT, NEW LEVEL INDICATOR POSITION	07/12/2010	MM	MM	BM
1	NEW LEVEL INDICATOR POSITION ON LEFT SIDE	24/09/2009	MM	BM	PF
0	EMISSION	29/01/2008	MM	CGP	PF

Part name : Oil tank 215 LT Al/Steel/St.Steel steel fam. 500x640		Material code		General tolerances: ISO 2768 V
Part code : NSO (X) 0215078MF00	Replace the	(X)=F:Steel DC03A EN 10130		
Scale 1:10	Replaced by	(X)=I:Stainless Steel AISI 304 UNI EN 10088 (X)=T:Text Stainless Steel AISI 304 UNI EN 10088		
		(X)=A:Alluminium EN AW 5754		Drawing format A3
<small>OWNERSHIP OF THIS DRAWING IS RESERVED BY LAW AND MAY NOT BE REPRODUCED IN WHOLE OR IN PART WITHOUT PERMISSION OF PADOAN S.R.L.</small>		<small>DO NOT MAKE MEASUREMENTS ON DRAWING DO NOT CHANGE WITHOUT TECHNICAL OFFICE AUTHORIZATION</small>		