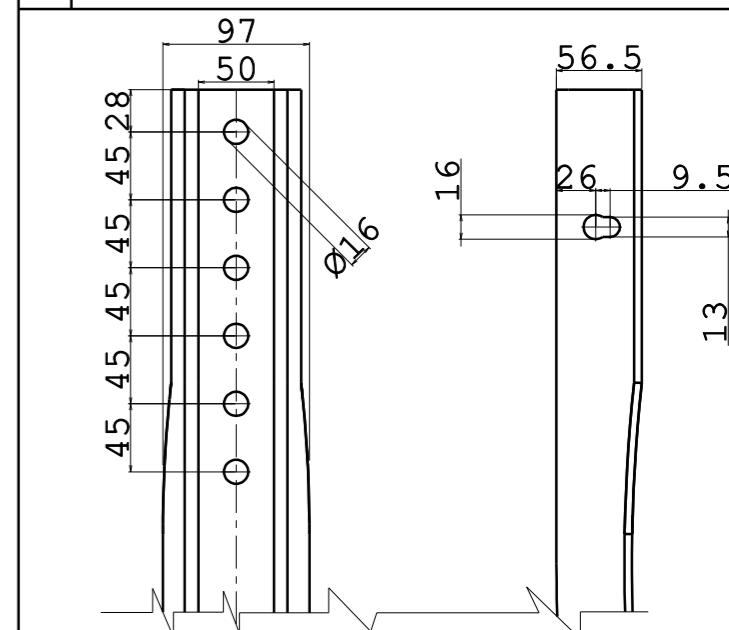


5 SUPPORT CONNECTION DETAIL



Tank composition

Pos.	Denomination	Q.ty
1	FILLING CAP	1
2	LEVEL INDICATOR VDO TYPE CONNECTION	1
3	DIESEL DRAINAGE	1
4	PARTITION	2
5	SUPPORT 44/54	2
6	STRAP	2
7	GROUND CONNECTION	1

MARK DETAIL



Tank dimension	0	EMISSION	06/12/2016	MM	MM	EB
	Rev.	Modify description	Date	Dis.	Ver.	App.
Full capacity 179 Lt	Part name :	Diesel oil tank 180 LT Al/Steel/Stainl.steel fam. 440x540				
Support weight 16 Kg	Part code :	NSG (X) 0180085C100	Replace the	Material code		
Tank weight (F,I,T) kg (A) kg	Scale	1:10	Replaced by	(X)=F:Steel DC03A EN 10130		
Dimensions 850x440x540 mm					(X)=I:Stainless steel AISI 304 UNI EN 10088	
						General tolerances: ISO 2768 V
						Drawing format A3
			OWNERSHIP OF THIS DRAWING IS RESERVED BY LAW AND MAY NOT REPRODUCED IN WHOLE OR IN PART WITHOUT PERMISSION OF PADOAN S.R.L.			DO NOT MAKE MEASUREMENTS ON DRAWING DO NOT CHANGE WITHOUT TECHNICAL OFFICE AUTHORIZATION

