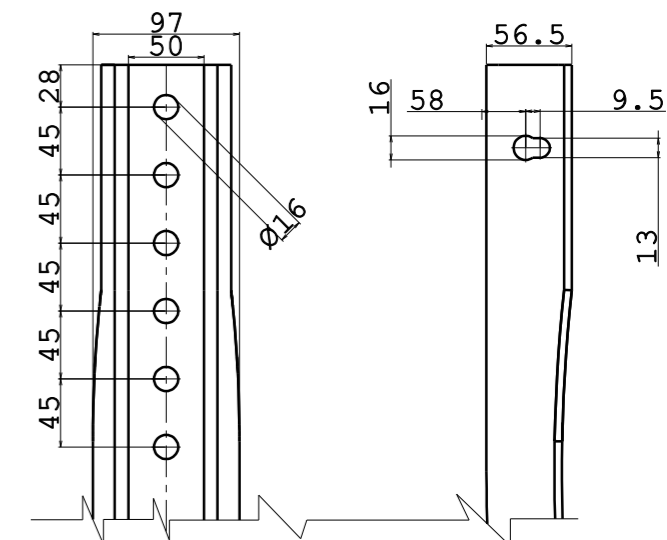


5 SUPPORT CONNECTION DETAIL



Tank composition

Pos.	Denomination	Q.ty
1	FILLING CAP	1
2	LEVEL INDICATOR VDO TYPE CONNECTION	1
3	DIESEL DRAINAGE	1
4	PARTITION	1
5	SUPPORT 50/64	2
6	STRAP	2
7	GROUND CONNECTION	1

MARK DETAIL



Tank dimension	0	EMISSION	09/04/2014	MM	MM	EM
	Rev.	Modify description	Date	Dis.	Ver.	App.
Full capacity 180 Lt	Part name :	Diesel oil tank 180 LT Al/Steel/Stainl.steel fam. 500x640				
Support weight 20 Kg	Part code :	Replace the	Material code			
Tank weight (F,I,T) kg (A) kg	Scale	Replaced by	(X)=F:Steel DC03A EN 10130			
Dimensions 650x500x640 mm	1:10		(X)=I:Stainless steel AISI 304 UNI EN 10088			
			(X)=T:Text stain.steel AISI 304 UNI EN 10088			
			(X)=A:Aluminium EN AW 5754			
			General tolerances: ISO 2768 V			
			Drawing format A3			
			OWNERSHIP OF THIS DRAWING IS RESERVED BY LAW AND MAY NOT BE REPRODUCED IN WHOLE OR IN PART WITHOUT PERMISSION OF PADOAN S.R.L.			
			DO NOT MAKE MEASUREMENTS ON DRAWING DO NOT CHANGE WITHOUT TECHNICAL OFFICE AUTHORIZATION			