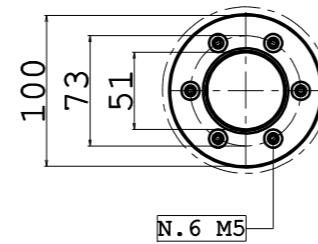
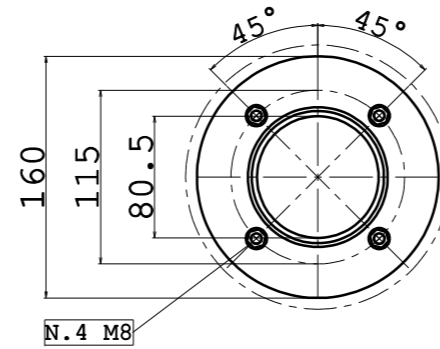


1 OIL CAP FLANGE

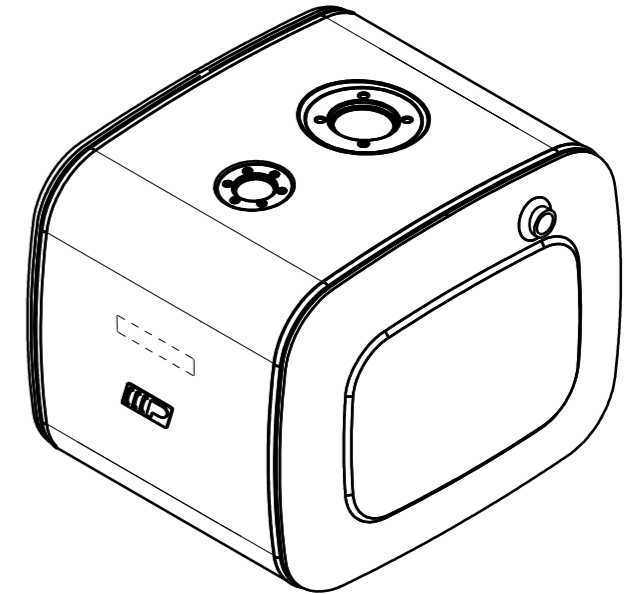


SCALE 1:5

2 RETURN FILTER FLANGE



SCALE 1:5



Tank composition

Pos.	Denomination	Q.ty
1	OIL CAP FLANGE	1
2	RETURN FILTER FLANGE	1
3	1" LEVEL INDICATOR	1
4	OIL RETURN CONNECTION 1"	2
5	OIL SUCTION CONNECTION 1" 1/2	1

Tank dimension

Level indicator capacity	116 Lt
Full capacity	148 Lt
Support weight	20 Kg
Tank weight (F,I,T)	kg (A) kg
Dimensions	550x500x640 mm

Rev.	Modify description	Date	Des.	Ver.	App.
3	NEW 45° MF FLANGE NEW PADOAN LOGO	23/05/2016	MM	MM	EB
2	REMOVED FIX KIT, NEW LEVEL INDICATOR POSITION	07/15/2010	MM	MM	BM
1	NEW LEVEL INDICATOR POSITION ON LEFT SIDE	24/09/2009	MM	BM	PF
0	EMISSION	29/01/2008	MM	CGP	PF

Part name : Oil tank 150 LT Al/Steel/St.Steel fam. 500x640		Material code (X)=F:Steel DC03A EN 10130 (X)=I:Stainless Steel AISI 304 UNI EN 10088 (X)=T:Text Stainless Steel AISI 304 UNI EN 10088 (X)=A:Alluminium EN AW 5754	General tolerances: ISO 2768 V Drawing format A3
Part code : NSO (X) 0150055MF00	Replace the Replaced by		
Scale 1:10		OWNERSHIP OF THIS DRAWING IS RESERVED BY LAW AND MAY NOT BE REPRODUCED IN WHOLE OR IN PART WITHOUT PERMISSION OF PADOAN S.R.L.	
		DO NOT MAKE MEASUREMENTS ON DRAWING DO NOT CHANGE WITHOUT TECHNICAL OFFICE AUTHORIZATION	