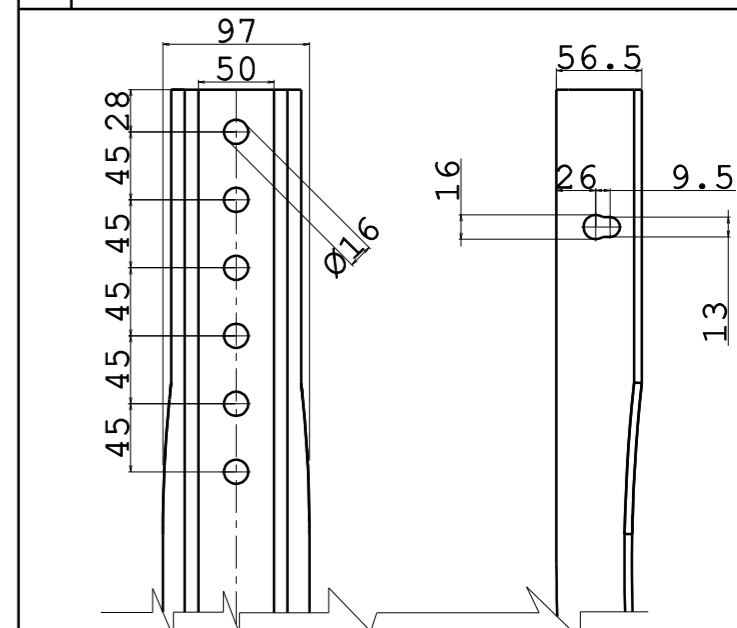


5 SUPPORT CONNECTION DETAIL



Tank composition

Pos.	Denomination	Q.ty
1	FILLING CAP	1
2	LEVEL INDICATOR VDO TYPE CONNECTION	1
3	DIESEL DRAINAGE	1
4	PARTITION	1
5	SUPPORT 44/54	2
6	STRAP	2
7	GROUND CONNECTION	1

MARK DETAIL



Tank dimension	0	EMISSION	27/06/2016	MM	FM	EB	
	Rev.	Modify description	Date	Dis.	Ver.	App.	
Full capacity 146 Lt	Part name :	Diesel oil tank 145LT Al/Steel/Stainl.steel fam. 440x540					
Support weight 16 Kg	Part code :	NSG (X) 0145070C100	Replace the	Material code			
Tank weight (F,I,T) kg (A) kg	Scale	1:10	Replaced by	(X)=F:Steel DC03A EN 10130	General tolerances: ISO 2768 V		
Dimensions 700x440x540 mm			(X)=I:Stainless steel AISI 304 UNI EN 10088	Drawing format A3			
			(X)=T:Text stain.steel AISI 304 UNI EN 10088				
			(X)=A:Aluminium EN AW 5754	Ownership of this drawing is reserved by law and may not be reproduced in whole or in part without permission of Padoan S.R.L.			
				DO NOT MAKE MEASUREMENTS ON DRAWING DO NOT CHANGE WITHOUT TECHNICAL OFFICE AUTHORIZATION			