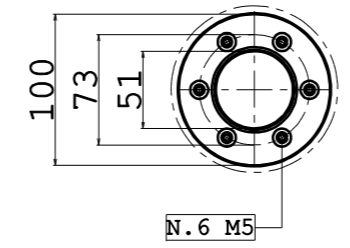
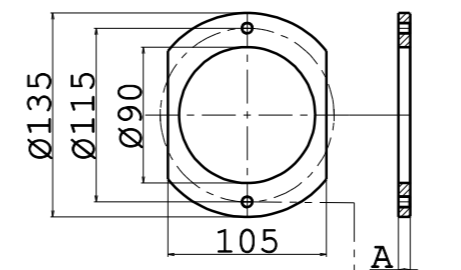


1 OIL CAP FLANGE



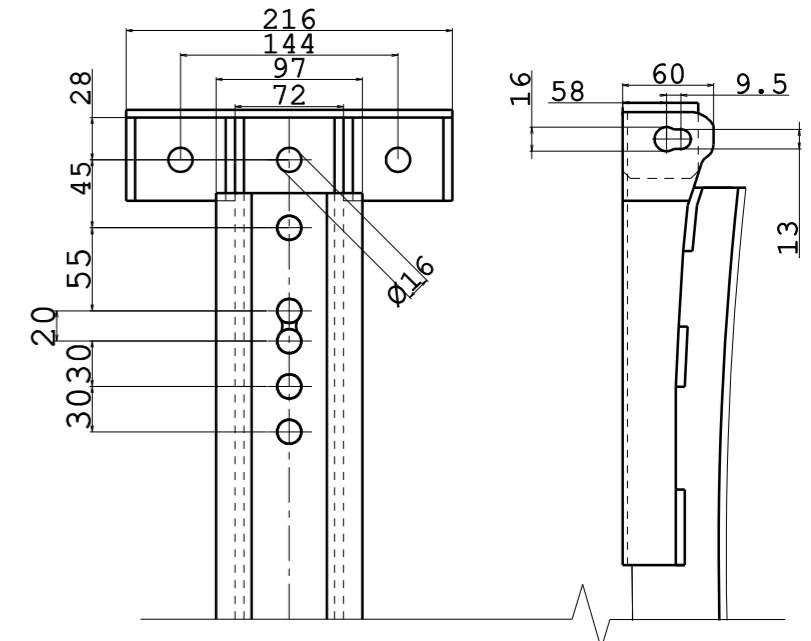
Scale 1:5

2 RETURN FILTER FLANGE



Scale 1:5

6 SUPPORT CONNECTION DETAIL



Tank composition

Pos.	Denomination	Q.ty
1	OIL CAP FLANGE	1
2	RETURN FILTER FLANGE	1
3	OIL RETURN CONNECTION 1"	1
4	OIL SUCTION CONNECTION 1" 1/2	1
5	1" LEVEL INDICATOR	1
6	SUPPORT 63/70 MONOBRACKET	1
7	STRAP	2

Tank dimension

Level indicator capacity	93 Lt
Full capacity	111 Lt
Support weight	16 Kg
Tank weight	(F,I,T) kg (A) kg
Dimensions	300x636x706 mm

Rev.	Description	Date	Dis.	Ver.	App.
2	NEW LEVEL INDICATOR POSITION	07/12/2010	MM	MM	BM
1	NEW LEVEL INDICATOR POSITION	28/09/2009	MM	BM	PF
0	EMISSION	18/12/2007	MM	CGP	PF

Part name :	Oil tank 120 L Al/Steel/Stainl.Steel fam. 636x706				
Part code :	NSO (X) 0120030CF00	Replace the	Material code		
Scale	1:10	Replaced by	(X)=F:Steel DC03A EN 10130	General tolerances: ISO 2768 V	
			(X)=I:Stainless Steel AISI 304 UNI EN 10088	Drawing format A3	
			(X)=T:Text Stainless Steel AISI 304 UNI EN 10088	OWNERSHIP OF THIS DRAWING IS RESERVED BY LAW	
			(X)=A:Alluminium EN AW 5754	AND MAY NOT REPRODUCED IN WHOLE OR IN PART	
				WITHOUT PERMISSION OF PADOAN S.R.L.	
				DO NOT MAKE MEASUREMENTS ON DRAWING	
				DO NOT CHANGE WITHOUT TECHNICAL OFFICE AUTHORIZATION	

