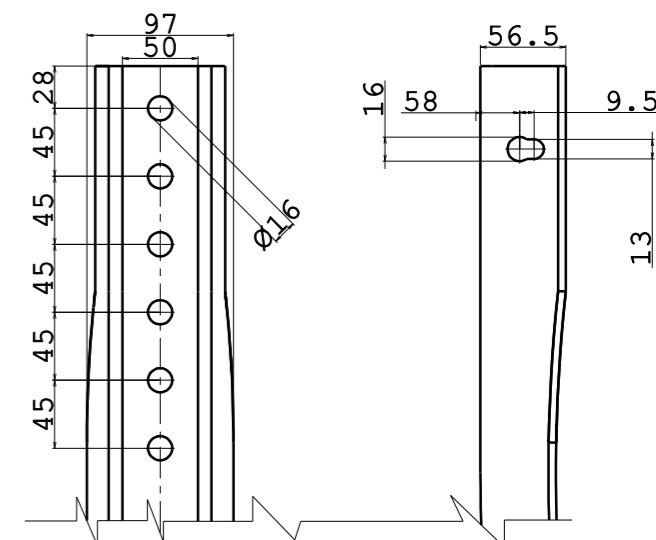


4 SUPPORT CONNECTION DETAIL



MARK DETAIL



Tank composition

Pos.	Denomination	Q.ty
1	FILLING CAP	1
2	LEVEL INDICATOR VDO TYPE CONNECTION	1
3	DIESEL DRAINAGE	1
4	SUPPORT 50/64	2
5	STRAP	2
6	GROUND CONNECTION	1

Tank dimension

Full capacity	90 Lt
Support weight	20 Kg
Tank weight	(F,I,T) kg (A) kg
Dimensions	350x500x640 mm

Rev.	Modify description	Date	Dis.	Ver.	App.
1	PUT ON GROUND CONNECTION, NEW OMOLOGATION	10/12/2013	AF	MM	BM
0	EMISSION	08/02/2008	MM	CGP	PF

Part name :	Diesel oil tank 90 LT Al/Steel/Stainl.steel fam. 500x640		
Part code :	NSG (X) 0090035C100	Replace the	Material code
Scale	1:10	Replaced by	(X)=F:Steel DC03A EN 10130
		(X)=I:Stainless steel AISI 304 UNI EN 10088	
		(X)=T:Text stain.steel AISI 304 UNI EN 10088	
		(X)=A:Aluminium EN AW 5754	
OWNERSHIP OF THIS DRAWING IS RESERVED BY LAW AND MAY NOT REPRODUCED IN WHOLE OR IN PART WITHOUT PERMISSION OF PADOAN S.R.L.		General tolerances: ISO 2768 V Drawing format A3 DO NOT MAKE MEASUREMENTS ON DRAWING DO NOT CHANGE WITHOUT TECHNICAL OFFICE AUTHORIZATION	