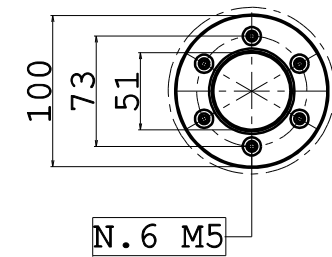
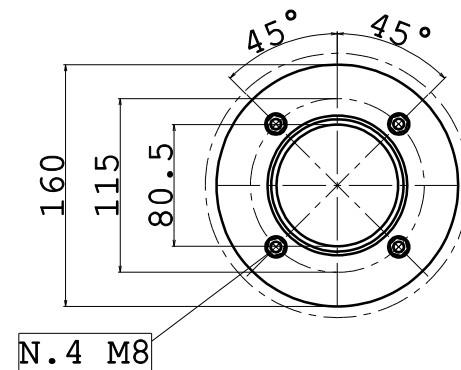


1 OIL CAP FLANGE

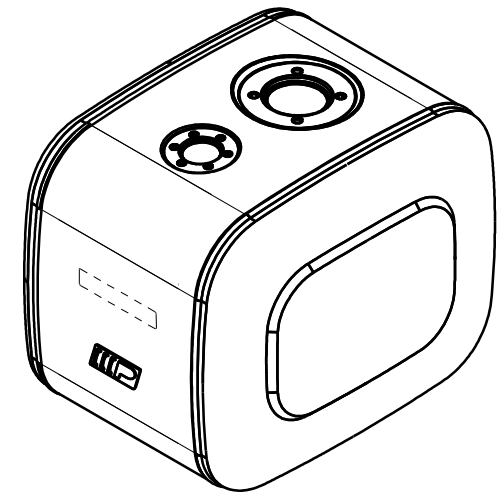


SCALE 1:5

2 RETURN FILTER FLANGE



SCALE 1:5



Tank composition

Pos.	Denomination	Q.ty
1	OIL CAP FLANGE	1
2	RETURN FILTER FLANGE	1
3	1" LEVEL INDICATOR	1
4	OIL RETURN CONNECTION 1"	1
5	OIL SUCTION CONNECTION 1" 1/4	1

Tank dimension

Level indicator capacity	60 Lt
Full capacity	80 Lt
Support weight	16 Kg
Tank weight (F,I,T)	kg (A) kg
Dimensions	400x440x540 mm

Rev.	Modify description	Date	Des.	Ver.	App.
1	RETURN CONNECTION POS.4 FROM 130 TO 135 mm	10/03/2017	MM	MM	EB
0	EMISSION	05/12/2016	MM	MM	EB

Part name :	Oil tank 80 LT Al/Steel/Stainl.Steel fam. 440x540		
Part code :	NSO (X) 0080040MF00	Replace the	Material code
Scale	1:10	Replaced by	(X)=F:Steel DC03A EN 10130
		(X)=I:Stainless Steel AISI 304 UNI EN 10088	General tolerances: ISO 2768 V
		(X)=T:Text Stainless Steel AISI 304 UNI EN 10088	
		(X)=A:Alluminium EN AW 5754	Drawing format A3
		<small>OWNERSHIP OF THIS DRAWING IS RESERVED BY LAW AND MAY NOT BE REPRODUCED IN WHOLE OR IN PART WITHOUT PERMISSION OF PADOAN S.R.L.</small>	