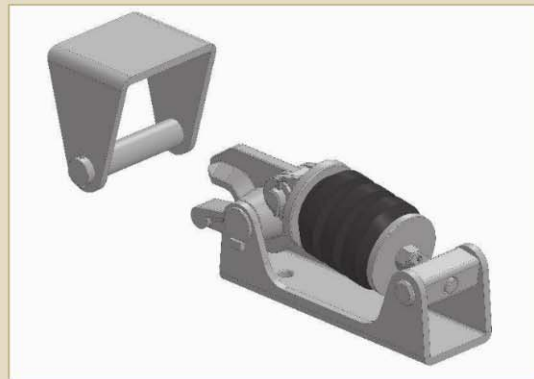
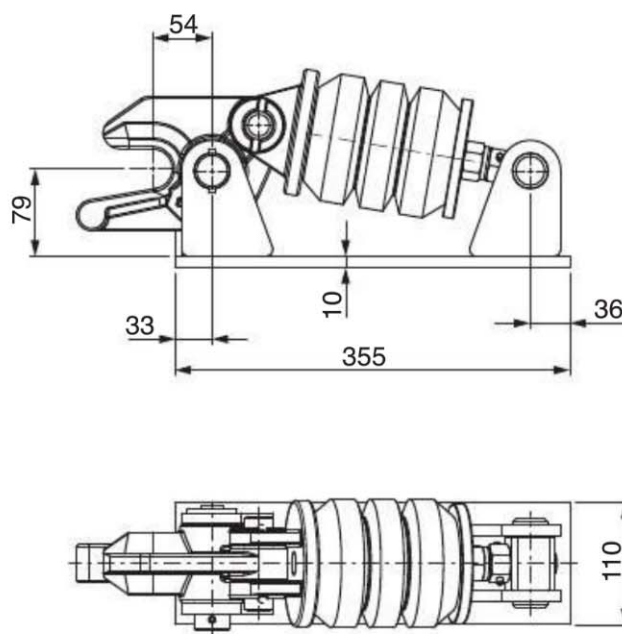
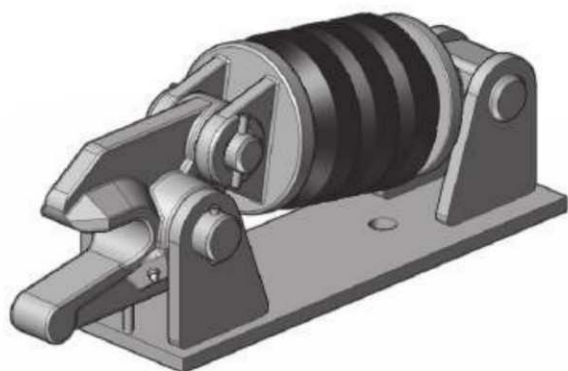


ANELLI PORTA PISTONE E ACCESSORI • *CRADLES AND FITTINGS*



BLOCCO CASSA "ITAFIX" - "ITAFIX" BODY RETAINER



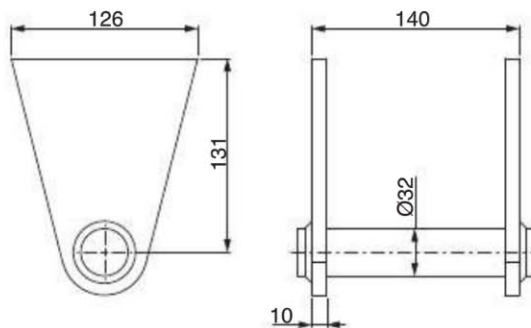
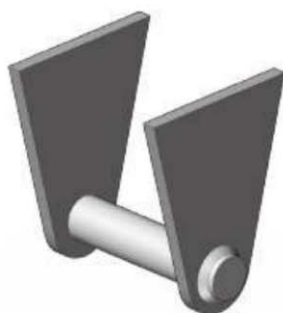
COD.

071022.00

Kg.

13.900

RISCONTRO "ITAFIX" - "ITAFIX" RETAINER HOOK



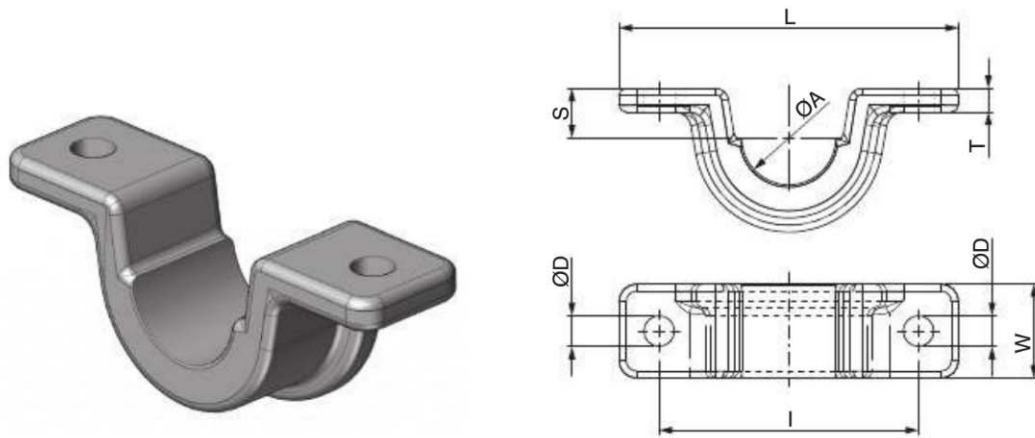
COD.

071028.00

Kg.

3.000

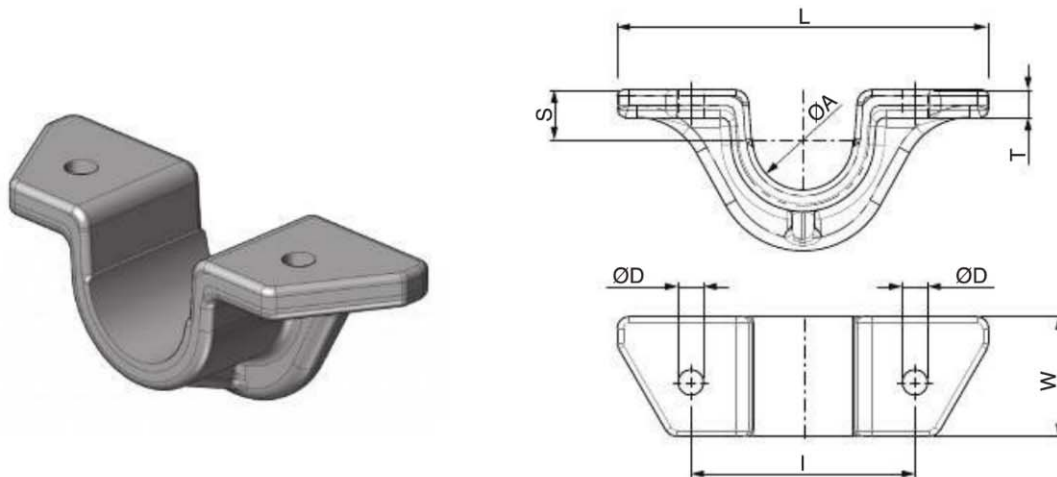
SUPPORTI CULLA LEGGERI STAMPATI A CALDO - LIGHT FORGED CRADLE SUPPORTS



COD.	DESCRIZIONE DESCRIPTION	QUOTE - DIMENSIONS (mm)							Kg.	PIASTRINA PLATE
		ØA	ØD	L	W	T	S	I		
040536.00 - 040.001.00.00*	SUPPORTO Ø40 - Ø40 SUPPORT	40	13	146	40	10	21	110	0.800	040537.00
040535.00 - 040.002.00.00	SUPPORTO Ø45 - Ø45 SUPPORT	45	13	144	40	10	23,5	110	0.700	040537.00

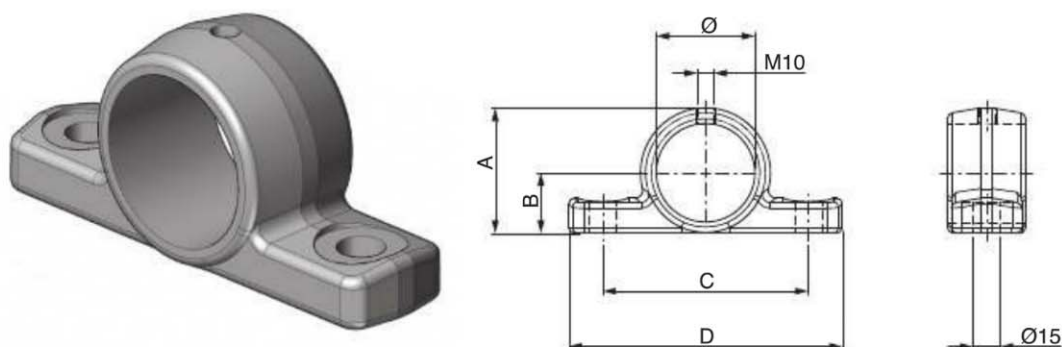
*Ad esaurimento - Until stock runs out

SUPPORTI CULLA PESANTI STAMPATI A CALDO - HEAVY FORGED CRADLE SUPPORTS



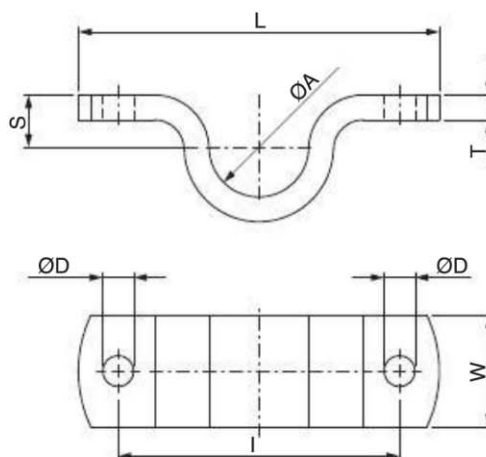
COD.	DESCRIZIONE DESCRIPTION	QUOTE - DIMENSIONS (mm)							Kg.	PIASTRINA PLATE
		ØA	ØD	L	W	T	S	I		
040512.00 - 040.003.00.00	SUPPORTO Ø50 - Ø50 SUPPORT	50	13	189	61	14	22,5	115	1.750	040511.00
040513.00 - 040.004.00.00	SUPPORTO Ø55 - Ø55 SUPPORT	55	13	189	61	14	28	115	1.900	040511.00
040514.00 - 040.005.00.00	SUPPORTO Ø60 - Ø60 SUPPORT	60	13	189	61	14	30	115	1.700	040511.00
040591.00 - 040.006.00.00	SUPPORTO Ø70 - Ø70 SUPPORT	70	13	210	60	19	35,5	150	3.200	040592.00

SUPPORTO CULLA - CRADLES SUPPORT



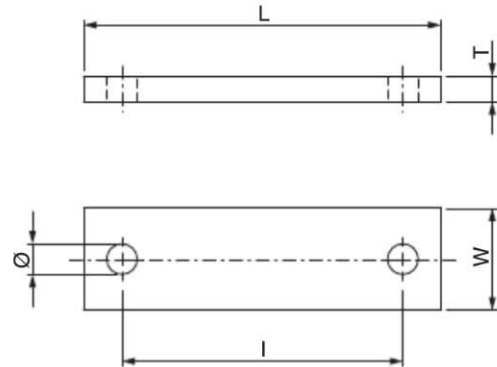
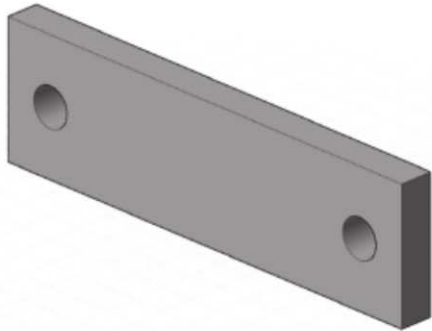
COD.	QUOTE - DIMENSIONS (mm)					Kg.
	Ø	A	B	C	D	
040522.00 - 040.015.00.00	40	64	33	105	140	0.700
040521.00 - 040.016.00.00	45	64	33	105	140	0.800
040520.00 - 040.017.00.00	50	64	31	105	140	0.750

SUPPORTI CULLA IN LAMIERA - CRADLES SUPPORTS IN METAL SHEET



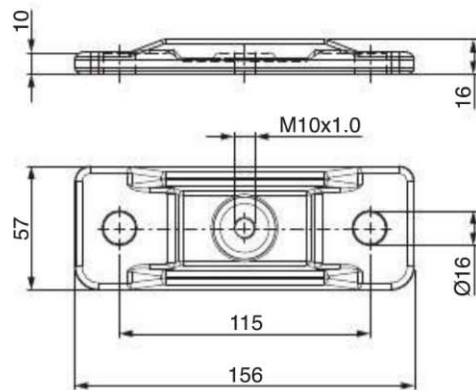
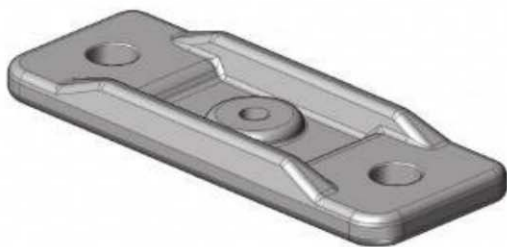
COD.	DESCRIZIONE DESCRIPTION	QUOTE - DIMENSIONS (mm)							Kg.	PIASTRINA PLATE
		ØA	ØD	L	W	T	S	I		
040594.00 - 040.001.00.LA	SUPPORTO Ø40 - Ø40 SUPPORT	40	12,5	145	45	10	21	113	0.600	040593.00
040595.00	SUPPORTO Ø45 - Ø45 SUPPORT	45	12,5	145	45	10	23	113	0.650	040593.00

PIASTRINA PER SUPPORTI - SUPPORT PLATE



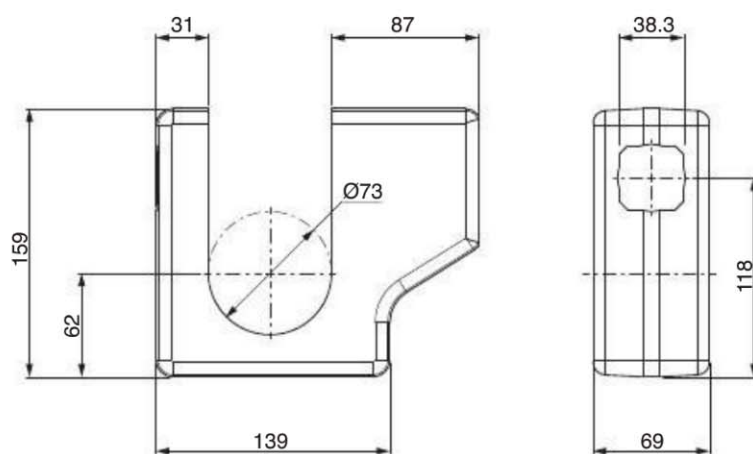
COD.	QUOTE - DIMENSIONS (mm)					Kg.
	Ø	L	W	T	I	
040537.00 - 040.007.00.00	12,5	140	40	10	110	0.290
040593.00 - 040.007.00.LA	12,5	145	45	8	113	0.460
040592.00 - 040.009.00.00	12,5	180	35	8	150	0.380

PIASTRA PER SUPPORTO - FORGED PLATE FOR SUPPORTS



COD.	Kg.
040511.00 - 040.070.00.00	0.670

BLOCCAGGIO CARRELLO CON FORO SCANALATO - TIPPER BODY RETAINER



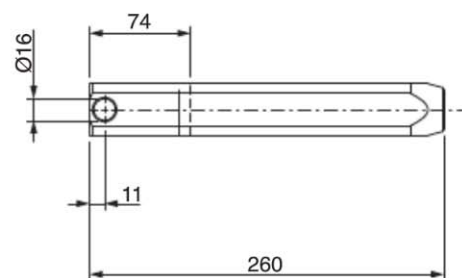
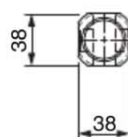
COD.

040525.00 - 040.012.00.00

Kg.

8.400

SPINA BLOCCAGGIO CARRELLO - TIPPER BODY RETAINER PIN



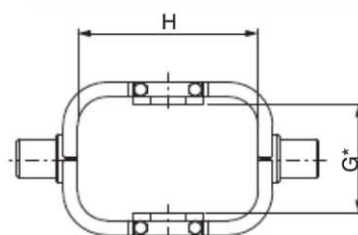
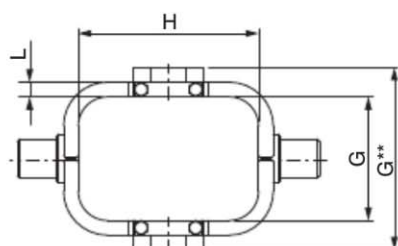
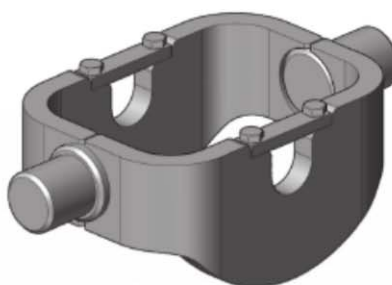
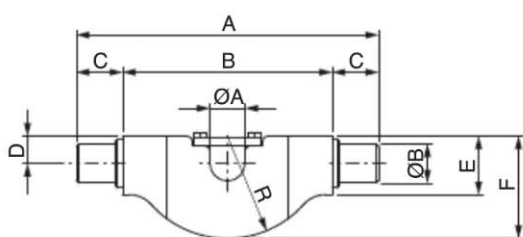
COD.

040509.00 - 040.013.00.00

Kg.

2.300

ANELLI PORTA PISTONI - CRADLES



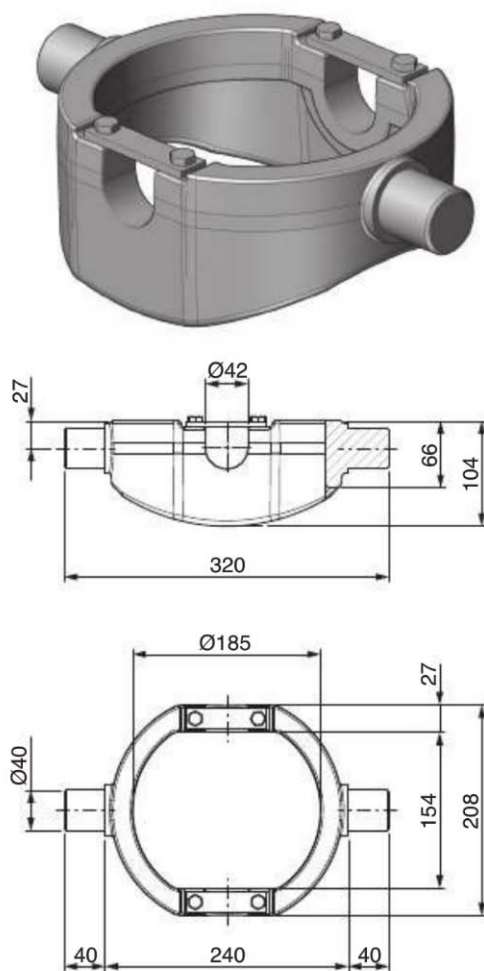
Saldare a tratto continuo le piastrine alla culla. È inoltre possibile fissare le piastrine all'interno della culla. La quota G* indica lo spallamento ottenibile (distanza battute mozzi cilindro).

Plates to be welded inside or outside the cradle (according to desired displacement).

COD.	PORTATA LOAD (T) ^{***}	QUOTE - DIMENSIONS (mm)															Kg.
		A	B	C	D	E	F	G	G*	G**	H	L	M	ØA	ØB	R	
040547.00 - 040.022.00.00	6	330	240	45	49	98	105	150	130	200	210	15	10	42	40	56	10.00
040548.00	8	330	240	45	49	98	105	157	137	207	210	15	10	42	40	56	10.00
040549.00	8	350	240	45	42	88	137	165	135	225	230	15	15	42	40	95	10.50
040550.00	8	350	260	45	42	88	137	165	135	225	230	15	15	46	45	95	10.50
040551.00	8	350	260	45	42	88	137	165	135	225	230	15	15	41	40	95	12.50
040552.00 - 040.024.00.00	9	350	260	45	42	88	137	171	141	231	230	15	15	46	45	95	12.50
040554.00	9.5	350	260	45	62	88	157	179	149	239	230	15	15	52	50	95	12.50
040555.00 - 040.027.00.00	10	424	314	55	52	104	167	208	188	268	274	20	10	46	50	115	20.00
040557.00	13	424	314	55	52	104	167	208	192	264	274	20	8	52	50	115	20.00
040558.00 - 040.028.00.00	13	424	314	55	52	104	167	198	178	258	274	20	10	52	50	115	19.50
040560.00	14	424	314	55	52	104	167	208	188	268	274	20	10	46	50	115	20.00
040561.00 - 040.029.00.00	14	494	384	55	52	104	167	217	197	277	344	20	10	52	50	115	23.00
040564.00	18	494	384	55	66	132	204	250	236	304	344	20	7	43	50	138	24.00
040565.00	18	494	384	55	66	132	204	250	238	302	344	20	6	52	50	138	24.00
040566.00 - 040.031.00.00	18	494	384	55	66	132	204	250	230	310	344	20	10	52	50	138	30.00
040567.00	20	570	440	65	68	140	234	310	270	400	390	25	20	53	60	166	51.00
040568.00 - 040.033.00.00	20	570	440	65	68	140	234	310	280	390	390	25	15	56	60	166	51.00
040569.00	22	570	440	65	68	140	234	310	280	390	390	25	15	62	60	166	51.00
040570.00	26.5	570	440	65	68	140	234	310	270	400	390	25	20	56	60	166	53.00
040571.00 - 040.035.00.00	32	650	520	65	85	170	275	360	340	430	470	25	10	72	70	190	69.00
040573.00	32	650	520	65	85	170	275	360	350	420	470	25	5	72	70	190	68.00
040574.00	32	650	520	65	85	170	275	360	340	430	470	25	10	72	70	190	69.00
040616.00 - 040.032.00.00	18	494	384	65	/	132	210	270	240	340	344	20	15	52	50	/	32.00
040618.00	20	494	384	55	66	132	204	250	220	330	334	25	15	56	55	138	43.00
040620.00	14	494	384	55	52	104	167	220	200	270	354	15	10	52	50	115	19.00
040624.00 - 040.043.00.00	32	710	574	55	/	175	280	360	344	426	524	25	8	72	70	/	76.00
040607.00	26	650	520	68	68	140	234	310	270	400	470	25	20	56	60	166	57.00
040608.00	44	740	610	65	85	170	275	340	310	450	530	40	15	72	70	190	112.00
040660.00	36	580	450	65	/	190	290	320	290	410	390	30	15	56	60	/	80.00

*** MASSA A PIENO CARICO SUGGERITA - SUGGESTED MAX CAPACITY LOAD

ANELLO PORTA PISTONI (3.5T*) - FORGED CRADLE (3.5T*)



COD.

040610.00 - 040.080.00.EC

Kg.

8.400

* MASSA A PIENO CARICO SUGGERITA - SUGGESTED MAX CAPACITY LOAD