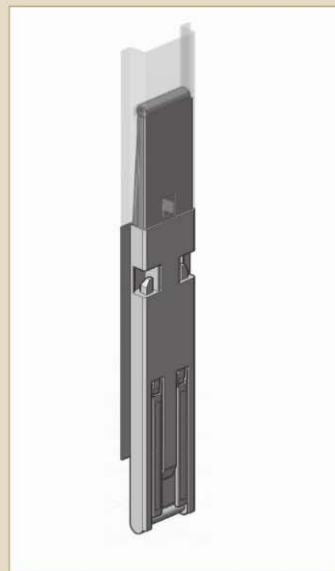
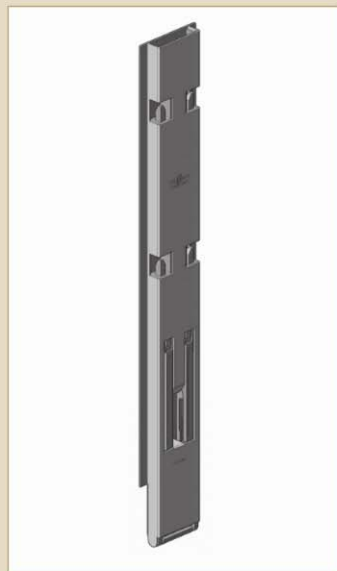
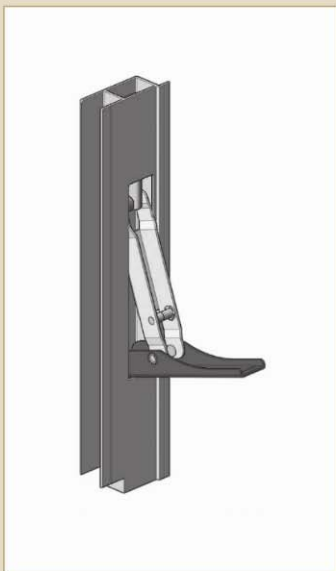
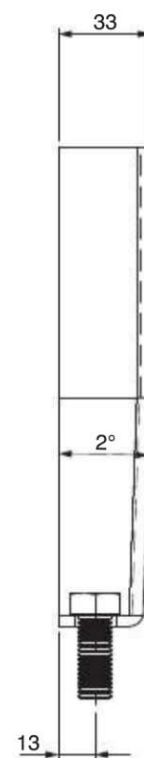
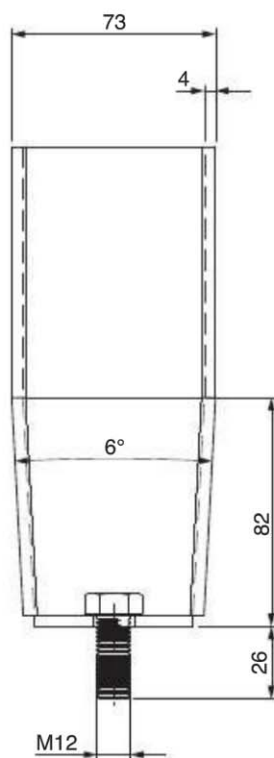


MONTANTI E ACCESSORI • *PILLARS AND FITTINGS*



INNESTO IN LAMIERA - PRESSED STEEL MALE PART



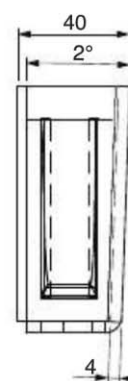
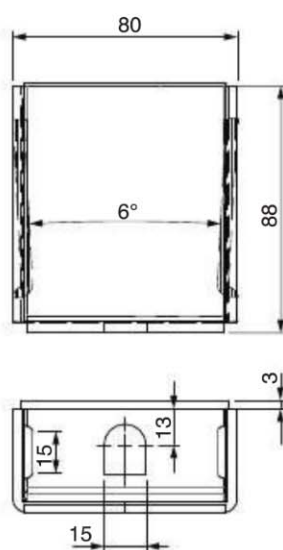
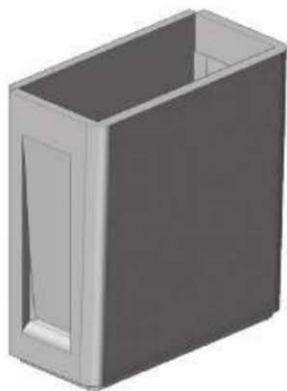
COD.

130060.00

Kg.

0.730

SEDE IN LAMIERA - PRESSED STEEL FEMALE PART



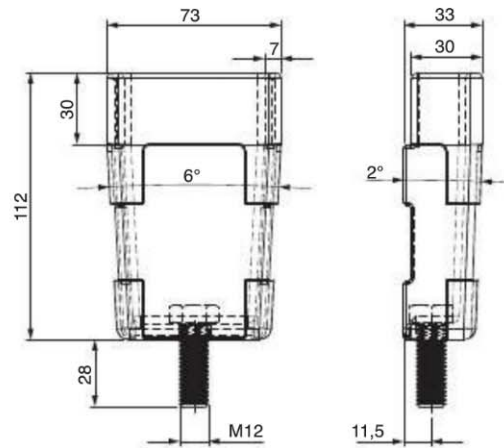
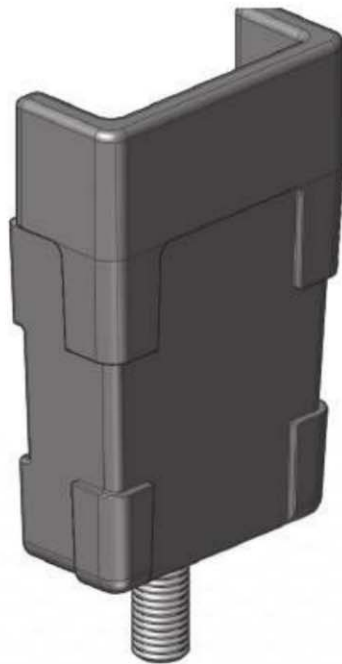
COD.

130061.00

Kg.

0.570

INNESTO STAMPATO - CASTED MALE PART



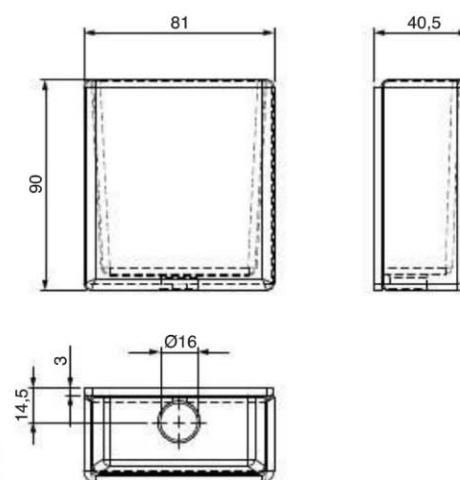
COD.

F13060.00

Kg

0.640

SEDE STAMPATA - CASTED FEMALE PART



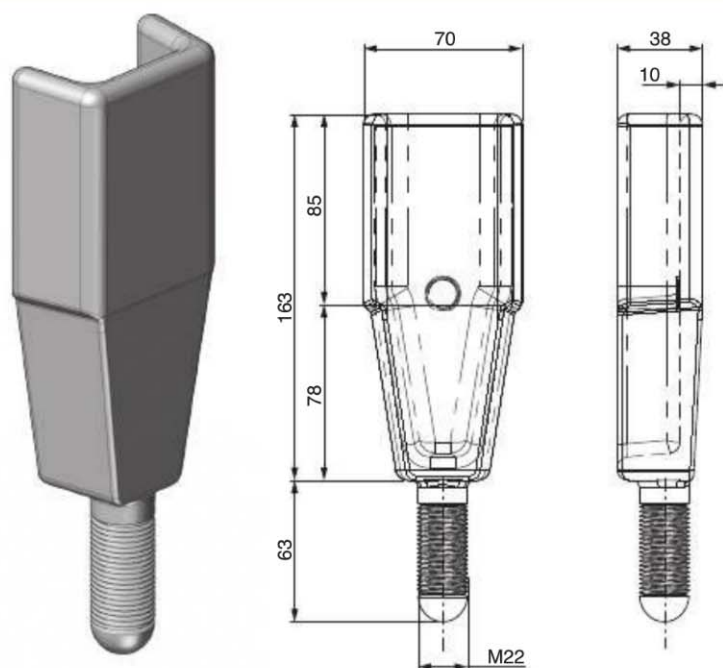
COD.

F13061.00

Kg

0.840

INNESTO LEGGERO FORGIATO - FORGED MALE PART



COD.

130037.11 - 050.002.00.00

Kg.

1.600

INNESTO + SEDE PER MONTANTE LEGGERO - FORGED MALE + FEMALE ASSEMBLY

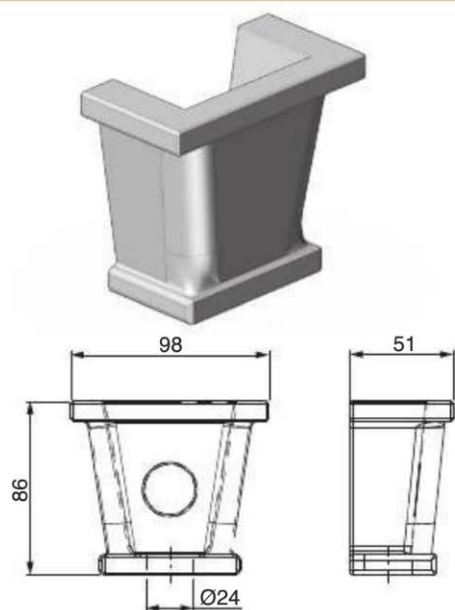
COD.

130037.00 - 050.001.00.00

Kg.

2.800

SEDE LEGGERA FORGIATA - FORGED FEMALE PART



COD.

130038.00

Kg.

1.130

ROSETTA Ø22 - WASHER Ø22

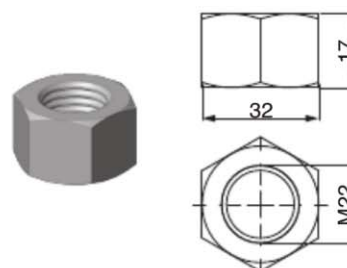
COD.

070640.00

Kg.

0.012

DADO M22 - M22 NUT



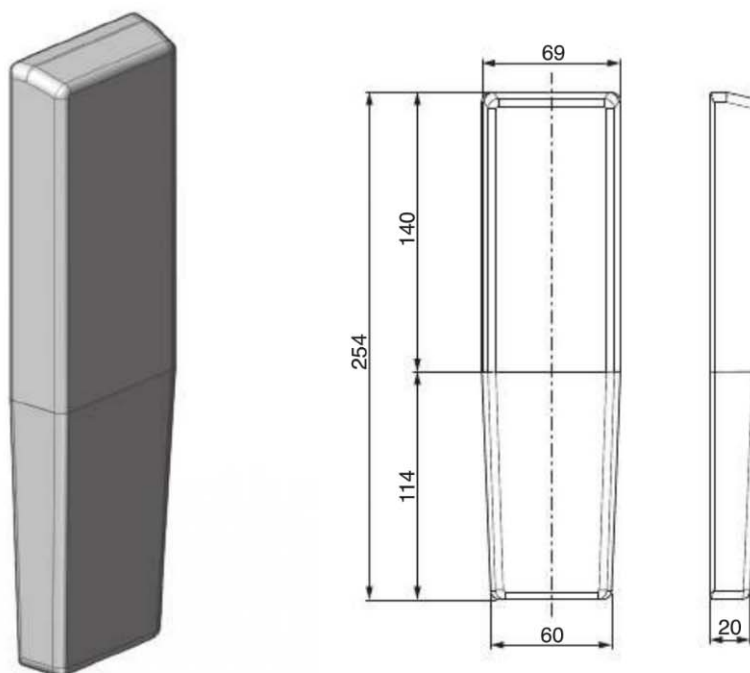
COD.

070638.00

Kg.

0.070

INNESTO LEGGERO - MALE PART



COD.

130047.00 - 050.012.00.00

Kg.

1.680

INNESTO + SEDE PER MONTANTE LEGGERO - MALE + FEMALE ASSEMBLY

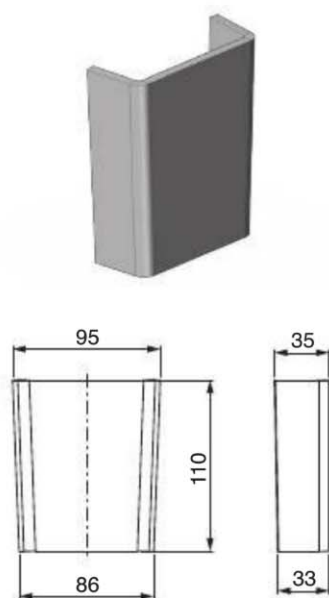
COD.

050.011.00.00

Kg.

2.140

SEDE LEGGERA IN LAMIERA - PRESSED STEEL FEMALE PART



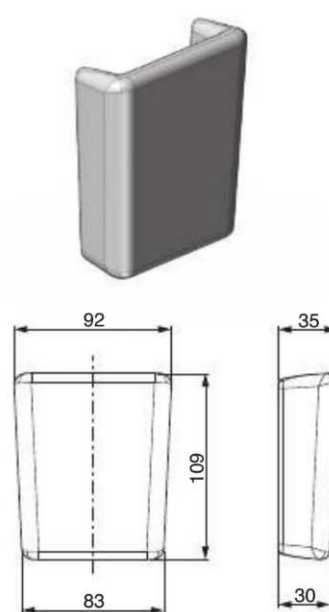
COD.

132042.00 - 050.099.00.00

Kg.

0.460

SEDE LEGGERA FORGIATA - FORGED FEMALE PART



COD.

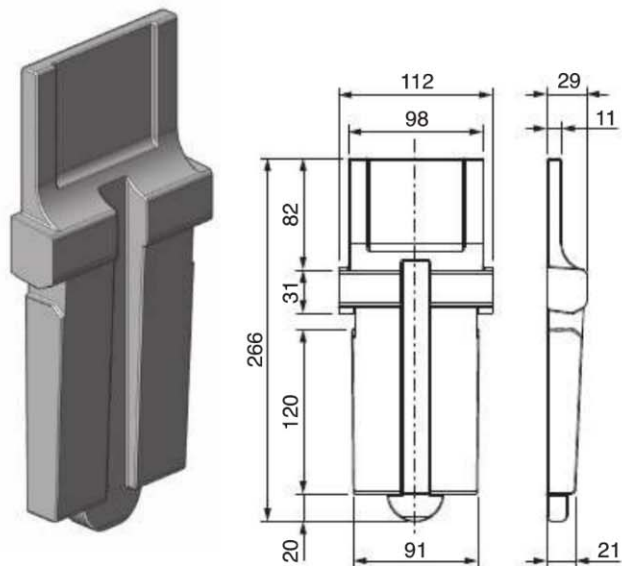
130048.00

Kg.

1.040

PER MONTANTI "ITALCAR" - FOR "ITALCAR" PILLARS

INNESTO - MALE PART



COD.

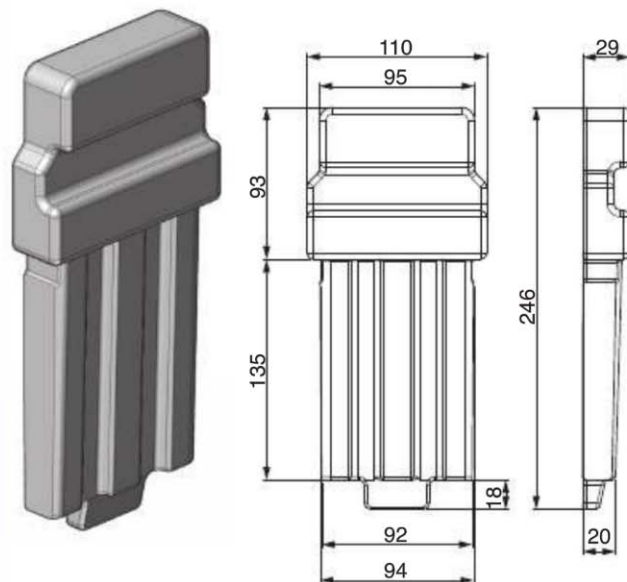
130076.00

Kg.

3.500

PER MONTANTI "MAX" - FOR "MAX" PILLARS

INNESTO - MALE PART

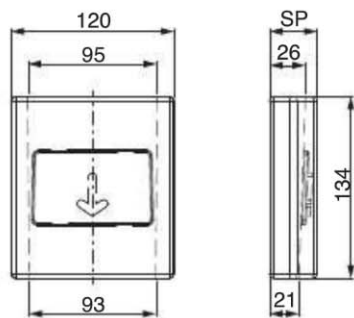
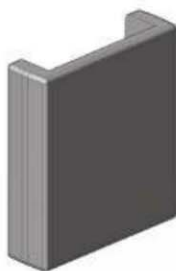


COD.

050.019.00.00

Kg.

3.850

SEDE FORGIATA PER MONTANTI S36/41
FORGED FEMALE PART FOR TH.36/41 PILLARS

COD.

130027.00

SP (mm)

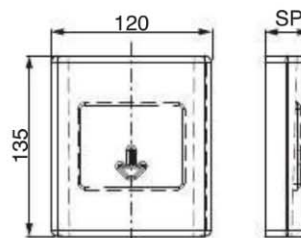
36

Kg.

1.880

130029.00**38**

2.100

SEDE FORGIATA PER MONTANTI S36/41
FORGED FEMALE PART FOR TH.36/41 PILLARS

COD.

050.020.00.00

SP (mm)

34

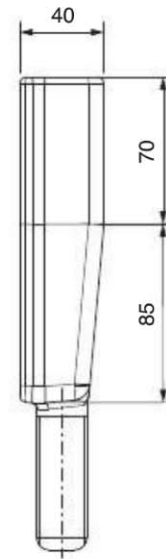
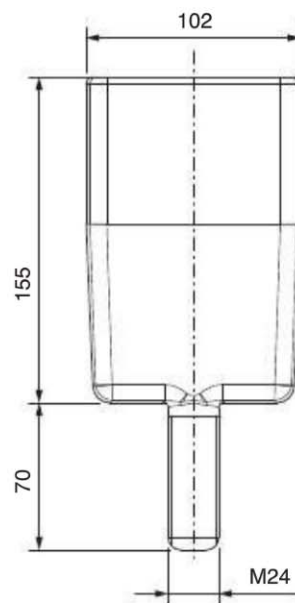
Kg.

1.850

050.045.00.00**41**

2.520

INNESTO PESANTE FORGIATO - FORGED MALE PART



COD.

130039.11 - 050.007.00.00

Kg.

2.600

INNESTO + SEDE PER MONTANTE PESANTE - FORGED MALE + FEMALE ASSEMBLY

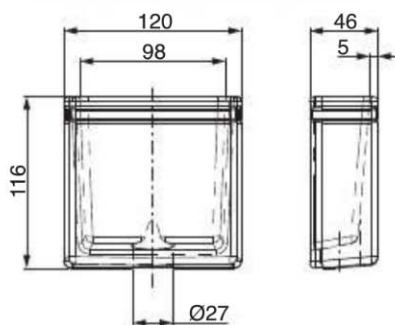
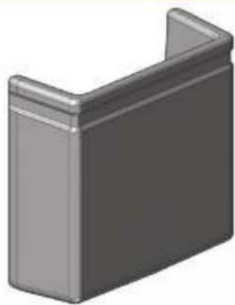
COD.

130039.00 - 056.006.00.00

Kg.

4.850

SEDE FORGIATA PESANTE - FORGED FEMALE PART



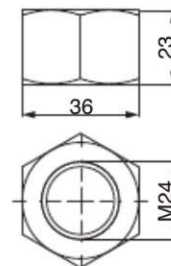
COD.

130040.00 - 056.008.00.00

Kg.

2.230

DADO M24 - M24 NUT



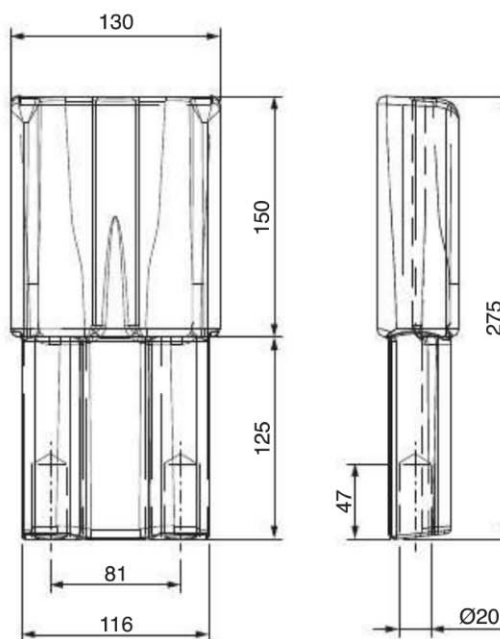
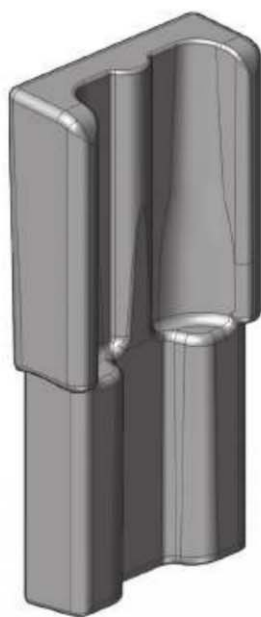
COD.

070647.00 - 050.010.00.00

Kg.

0.100

INNESTO PESANTISSIMO FORGIATO - FORGED MALE PART



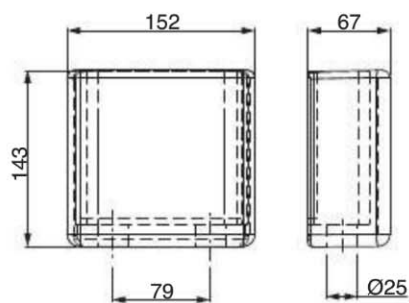
COD.

050.015.00.00

Kg.

7.500

SEDE FORGIATA PESANTISSIMA - FORGED FEMALE PART

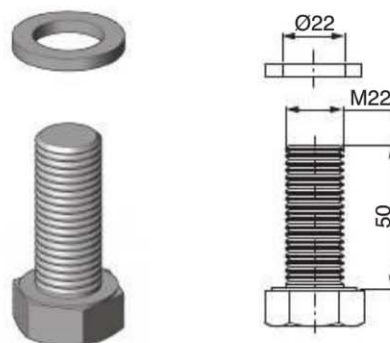


COD.

050.016.00.00

Kg.

5.660

VITE TE M22 50 + RONDELLA DI SICUREZZA
SCREW M22X50 + LIP WASHER

COD.

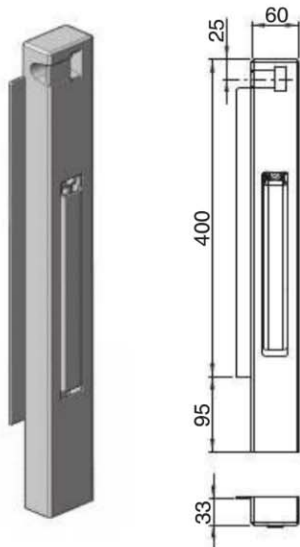
050.017.00.00

Kg.

0.235

MONTANTE ANTERIORE - FRONT PILLAR

RAPPRESENTATA VERSIONE DX
SHOWN RIGHT VERSION



COD.

Kg.

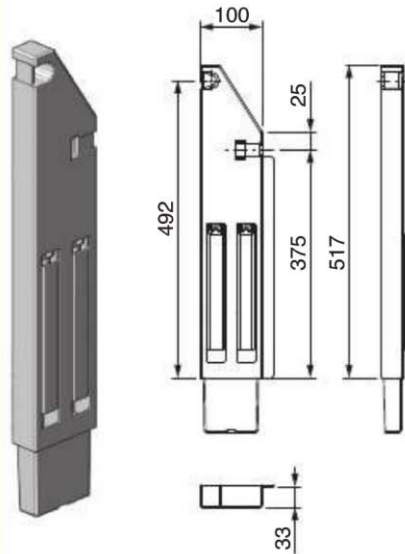
056.670.DX.00 (right)

3.550

056.670.SX.00 (left)

MONTANTE POSTERIORE A SBALZO
DOUBLE HEIGHT REAR PILLAR

RAPPRESENTATA VERSIONE DX
SHOWN RIGHT VERSION



COD.

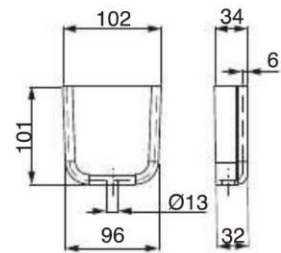
Kg.

051.118.DX.00 (right)

5.900

051.118.SX.00 (left)

SEDE MONTANTE - PILLAR SOCKET



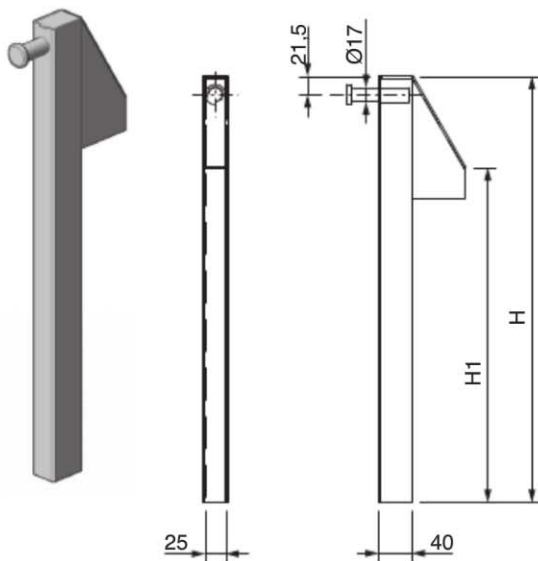
COD.

Kg.

051.114.00.00

0.480

TESTATA A SBALZO SAGOMATA ZINCATO
ZINC-PLATED SHAPED SIDEBOARD HEAD OVERHANG



H

H1

COD.

Kg.

512

400

051.105.00.00

1.230

612

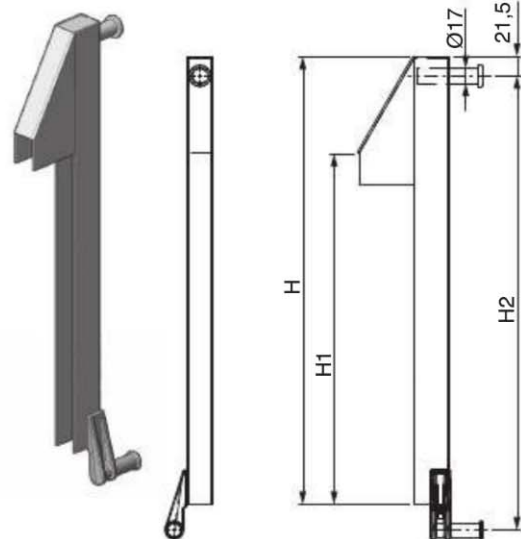
500

051.106.00.00

1.390

TESTATA A SBALZO SAGOMATA ZINCATO
ZINC-PLATED SHAPED SIDEBOARD HEAD OVERHANG

RAPPRESENTATA VERSIONE DX
SHOWN RIGHT VERSION



H

H1

H2

COD.

Kg.

512

400

520

051.142.DX.00 (right)

1.420

512

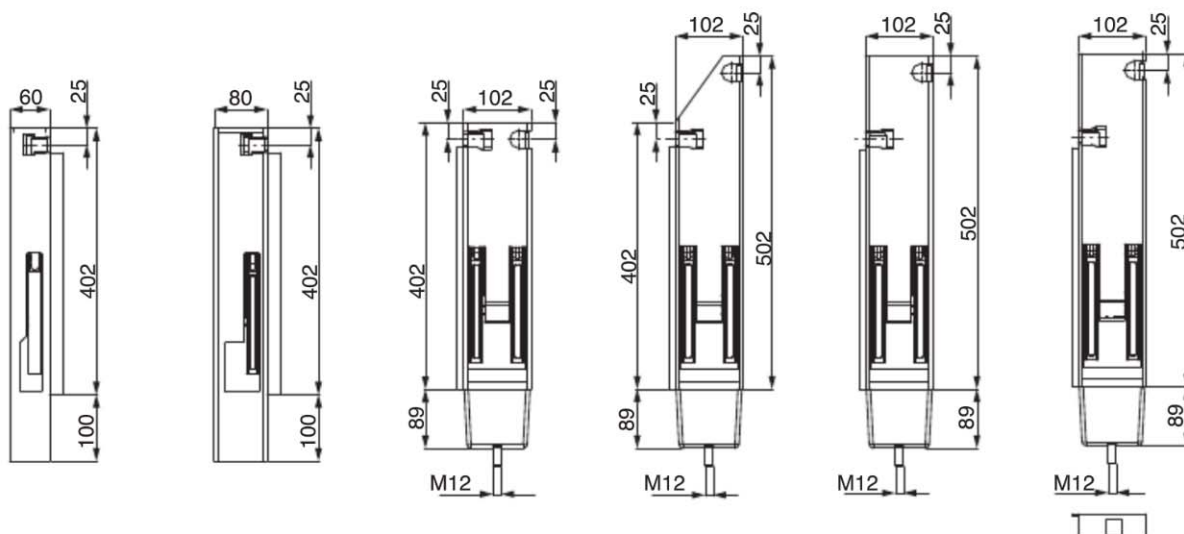
400

520

051.142.SX.00 (left)

* Massa a pieno carico suggerita / Suggested max capacity load

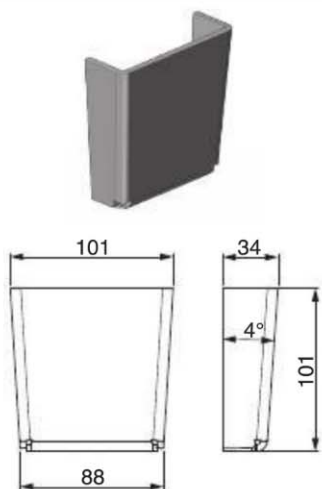
RAPPRESENTATA VERSIONE SX
 SHOWN LEFT VERSION

CON SEDE PER SOPRAMONTANTE
 WITH OVER
 PILLAR SOCKET

ALU 25 mm

H HEIGHT (mm)	ANTERIORE FRONT L=60 mm	ANTERIORE FRONT L=80 mm	POSTERIORE REAR	POSTERIORE 2H INCLINATO REAR DOUBLE HEIGHT	POSTERIORE 2H PARI REAR DOUBLE HEIGHT	POSTERIORE 2H PARI REAR DOUBLE HEIGHT
400	290906.00DX	290907.00DX	290909.00DX	/	/	/
	290906.00SX	290907.00SX	290909.00SX			
400/500	/	/	/	290911.00DX	290910.00DX	290927.00DX
				290911.00SX	290910.00SX	290927.00SX

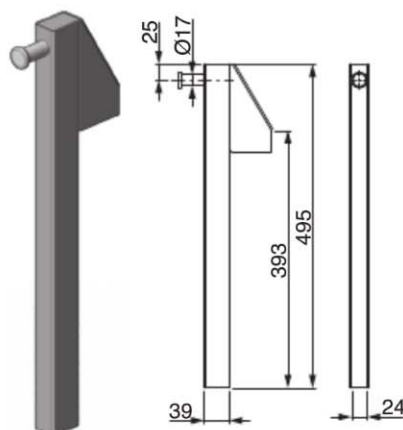
ALU 30 mm

H HEIGHT (mm)	ANTERIORE FRONT L=60 mm	ANTERIORE FRONT L=80 mm	POSTERIORE REAR	POSTERIORE 2H INCLINATO REAR DOUBLE HEIGHT	POSTERIORE 2H PARI REAR DOUBLE HEIGHT	POSTERIORE 2H PARI REAR DOUBLE HEIGHT
400	291006.00DX	291007.00DX	291009.00DX	/	/	/
	291006.00SX	291007.00SX	291009.00SX			
400/500	/	/	/	291011.00DX	291010.00DX	291027.00DX
				291011.00SX	291010.00SX	291027.00SX

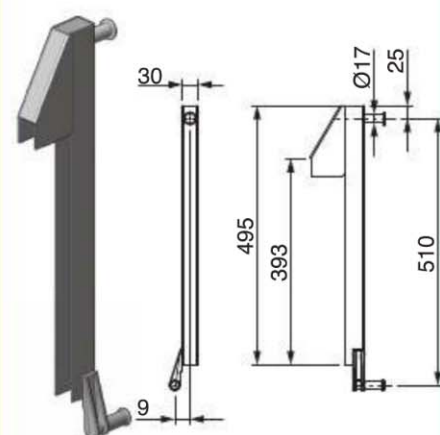
SEDE - PILLAR SOCKET

COD.
Kg.
190058.11

0.490

191904.00
 con dado - with nut included

TESTATA A SBALZO SAGOMATA ZINCATA
 ZINC-PLATED SHAPED SIDEBOARD HEAD OVERHANG

COD.
Kg.
131510.01

1.220

TESTATA A SBALZO SAGOMATA ZINCATA
 ZINC-PLATED SHAPED SIDEBOARD HEAD OVERHANG

COD.
Kg.
131685.01DX (right)

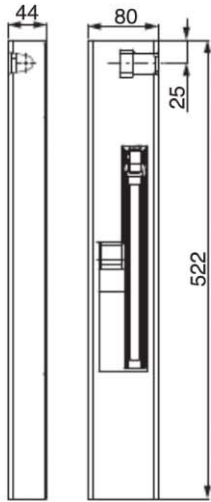
1.500

131685.01SX (left)

* Massa a pieno carico suggerita / Suggested max capacity load

MONTANTE ANTERIORE - FRONT PILLAR

RAPPRESENTATA VERSIONE SX
SHOWN LEFT VERSION



COD.

Kg.

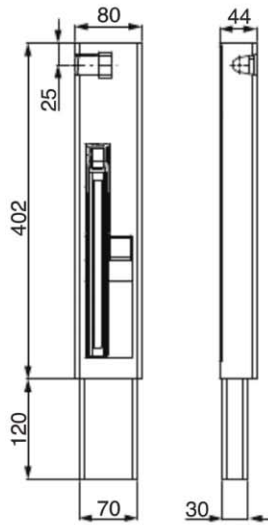
131790.00DX (right)

4.750

131790.00SX (left)

MONTANTE POSTERIORE - REAR PILLAR

RAPPRESENTATA VERSIONE SX
SHOWN LEFT VERSION



COD.

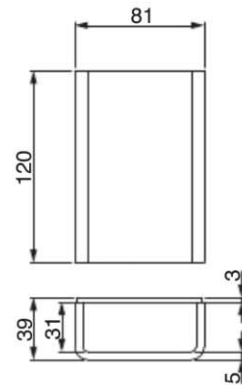
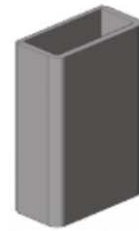
Kg.

131791.00DX (right)

4.400

131791.00SX (left)

SEDE MONTANTE - PILLAR SOCKET



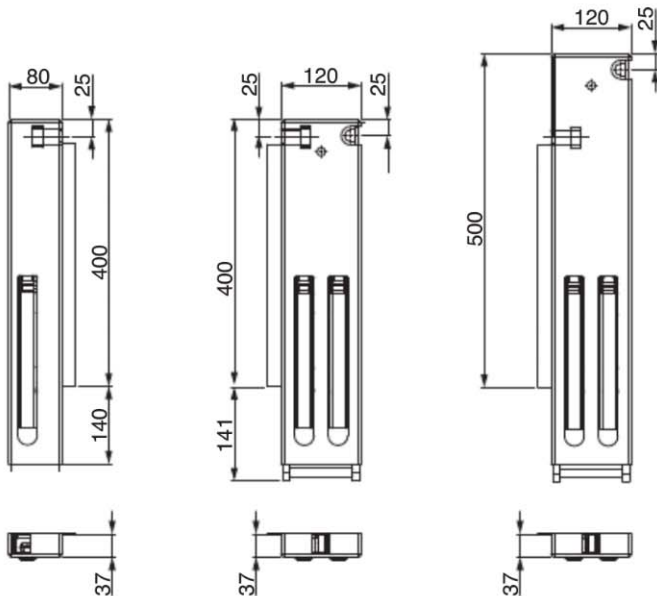
COD.

Kg.

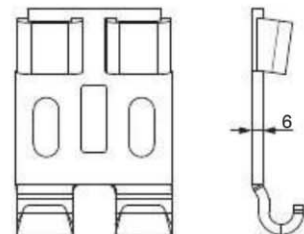
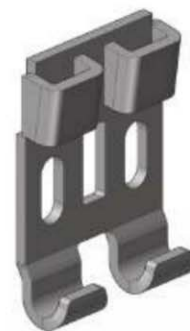
131792.00

0.850

RAPPRESENTATA VERSIONE SX
SHOWN LEFT VERSION



SEDE MONTANTE - PILLAR SOCKET



Non compreso nei montanti,
ordinare separatamente
Non included, to order separately

H
HEIGHT
(mm)

ANTERIORE
FRONT

POSTERIORE
REAR

POSTERIORE 2H
REAR DOUBLE HEIGHT

400

130695.00 (DX/Right)

130698.00 (DX/Right)

/

130696.00 (SX/Left)

130699.00 (SX/Left)

400/500

/

/

130690.00 (DX/Right)

130691.00 (SX/Left)

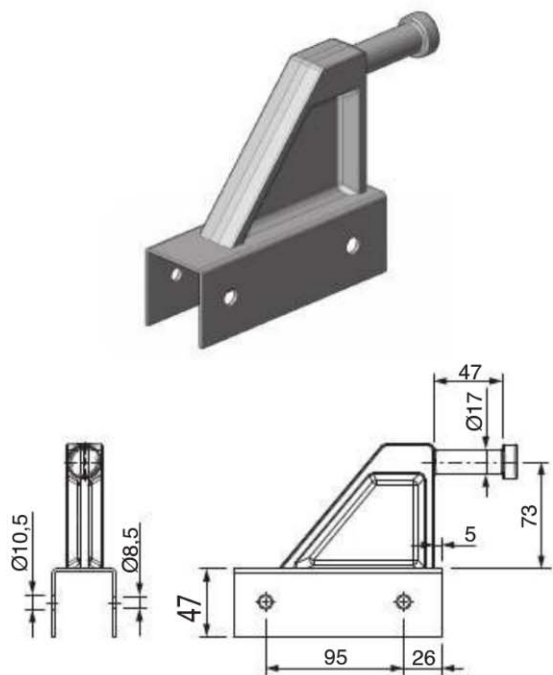
COD.

Kg.

135013.00

0.080

* Massa a pieno carico suggerita / Suggested max capacity load

PERNO Ø17 A SBALZO ZINCATA
ZINC-PLATED Ø17 PIN OVERHANGRAPPRESENTATA VERSIONE DX
SHOWN RIGHT VERSION

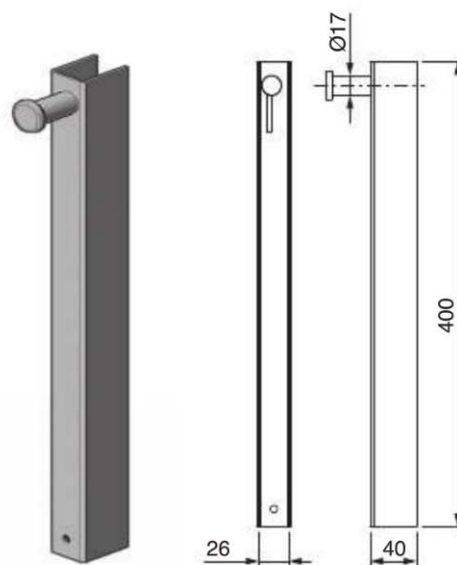
COD.

Kg.

021026.01DX (right)

0.910

021026.01SX (left)

TESTATA LATERALE POSTERIORE ZINCATA
ZINC-PLATED Ø17 PIN OVERHANG

COD.

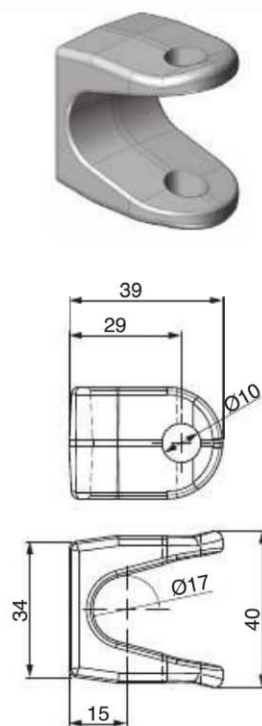
Kg.

134900.01DX (right)

0.760

134900.01SX (left)

SUPPORTO - SUPPORT



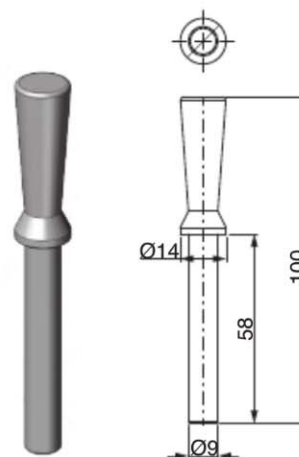
COD.

Kg.

010575.00 - 010.064.00.EC

0.138

SPINOTTO Ø9 - Ø9 PIN



COD.

Kg.

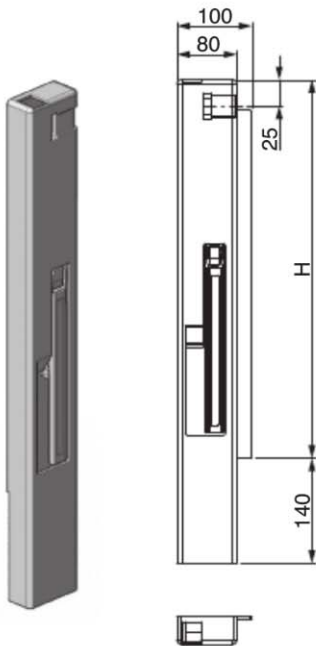
010578.00 - 010.065.00.00

0.064

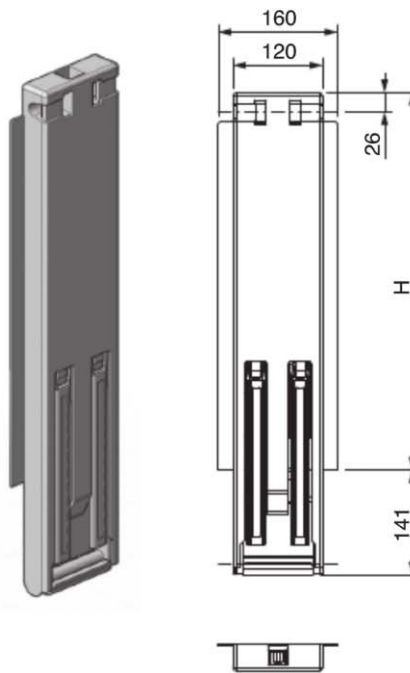
* Massa a pieno carico suggerita / Suggested max capacity load

S.36 ALU 25 mm

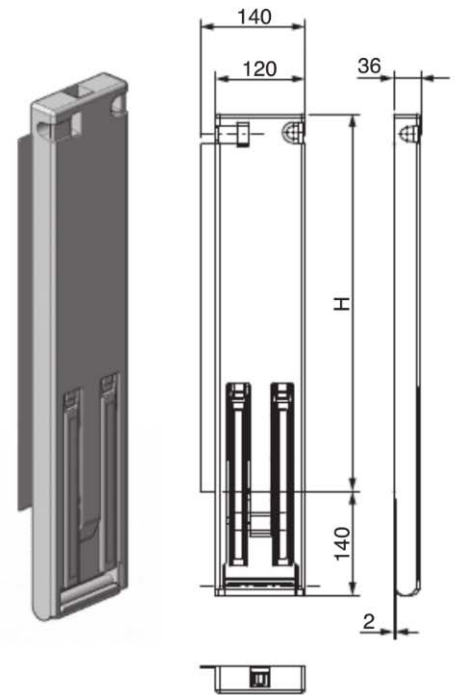
RAPP. VERSIONE ANTERIORE 5X
SHOWN FRONT LEFT VERSION



CENTRALE
MIDDLE

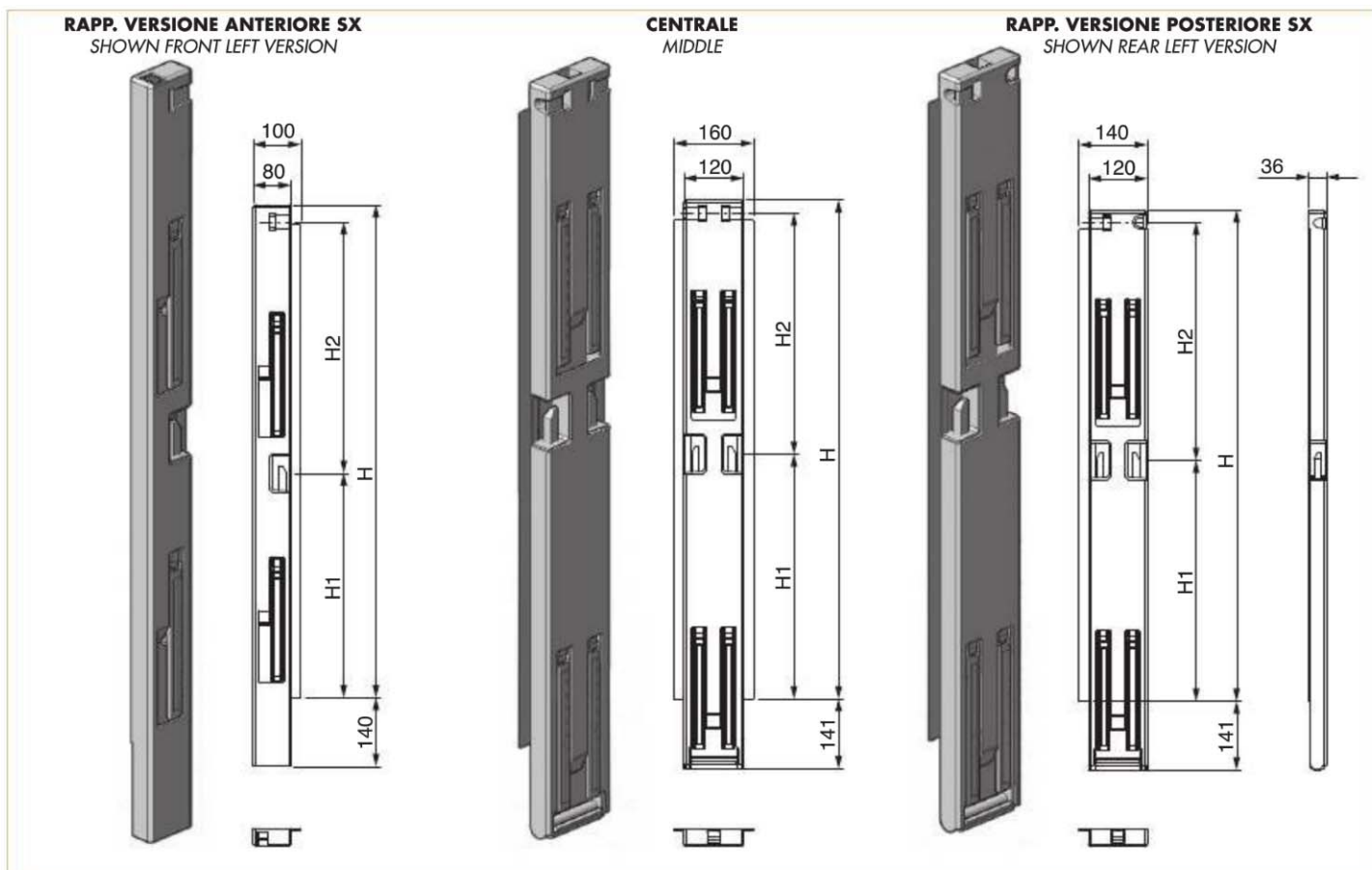


RAPP. VERSIONE POSTERIORE 5X
SHOWN REAR LEFT VERSION



DISPONIBILE VERSIONE INOX FIORETTATO / ANTI-REFLEX STAINLESS STEEL VERSION AVAILABLE

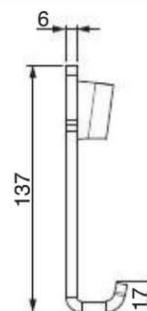
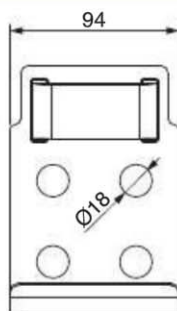
H HEIGHT (mm)	MATERIALE MATERIAL	ANTERIORE FRONT (right/left)	CENTRALE MIDDLE	POSTERIORE REAR (right/left)
405	ACCIAIO - STEEL	190700.00DX	190702.00	190703.00DX
		190700.00SX		190703.00SX
	ACC. INOX - STAINLESS STEEL	210700.00DX	210702.00	210703.00DX
		210700.00SX		210703.00SX
505	ACCIAIO - STEEL	190704.00DX	190706.00	190707.00DX
		190704.00SX		190707.00SX
	ACC. INOX - STAINLESS STEEL	210704.00DX	210706.00	210707.00DX
		210704.00SX		210707.00SX
605	ACCIAIO - STEEL	190708.00DX	190710.00	190711.00DX
		190708.00SX		190711.00SX
	ACC. INOX - STAINLESS STEEL	210708.00DX	210710.00	210711.00DX
		210708.00SX		210711.00SX
705	ACCIAIO - STEEL	190712.00DX	190714.00	190715.00DX
		190712.00SX		190715.00SX
	ACC. INOX - STAINLESS STEEL	210712.00DX	210714.00	210715.00DX
		210712.00SX		210715.00SX
805	ACCIAIO - STEEL	190716.00DX	190718.00	190719.00DX
		190716.00SX		190719.00SX
	ACC. INOX - STAINLESS STEEL	210716.00DX	210718.00	210719.00DX
		210716.00SX		210719.00SX
905	ACCIAIO - STEEL	190720.00DX	190722.00	190723.00DX
		190720.00SX		190723.00SX
	ACC. INOX - STAINLESS STEEL	210720.00DX	210722.00	210723.00DX
		210720.00SX		210723.00SX



DISPONIBILE VERSIONE INOX FIORETTATO / ANTI-REFLEX STAINLESS STEEL VERSION AVAILABLE

H HEIGHT (mm)	H1	H2	MATERIALE MATERIAL	ANTERIORE FRONT (right/left)	CENTRALE MIDDLE	POSTERIORE REAR (right/left)
1005	512	468	ACCIAIO - STEEL	190744.00DX	190746.00	190747.00DX
				190744.00SX		190747.00SX
			ACC. INOX - STAINLESS STEEL	210744.00DX	210746.00	210747.00DX
				210744.00SX		210747.00SX
1105	512	568	ACCIAIO - STEEL	190748.00DX	190750.00	190751.00DX
				190748.00SX		190751.00SX
			ACC. INOX - STAINLESS STEEL	210748.00DX	210750.00	210751.00DX
				210748.00SX		210751.00SX
1205	612	568	ACCIAIO - STEEL	190752.00DX	190754.00	190755.00DX
				190752.00SX		190755.00SX
			ACC. INOX - STAINLESS STEEL	210752.00DX	210754.00	210755.00DX
				210752.00SX		210755.00SX

SEDE - SOCKET



ORDINARE SOLO COME RICAMBIO
TO ORDER AS SPARE ONLY

COD.

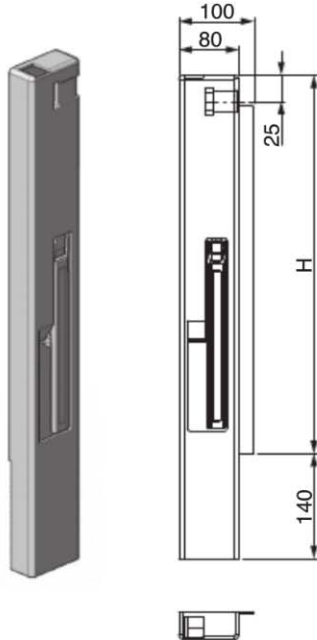
130013.00

Kg.

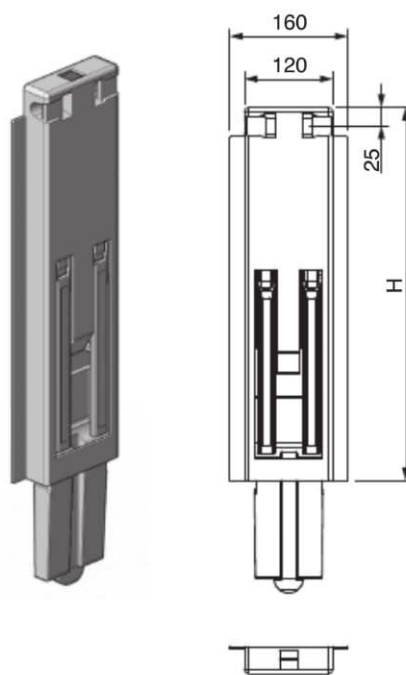
0,800

S.36 ALU 25 mm

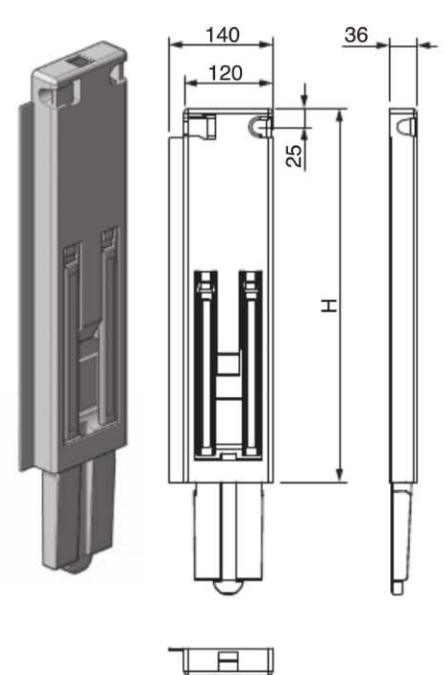
RAPP. VERSIONE ANTERIORE SX
SHOWN FRONT LEFT VERSION



CENTRALE
MIDDLE

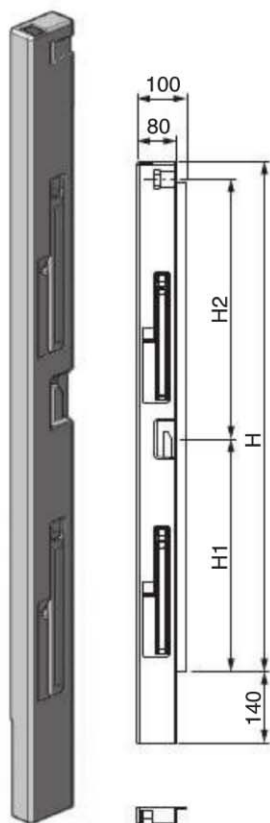
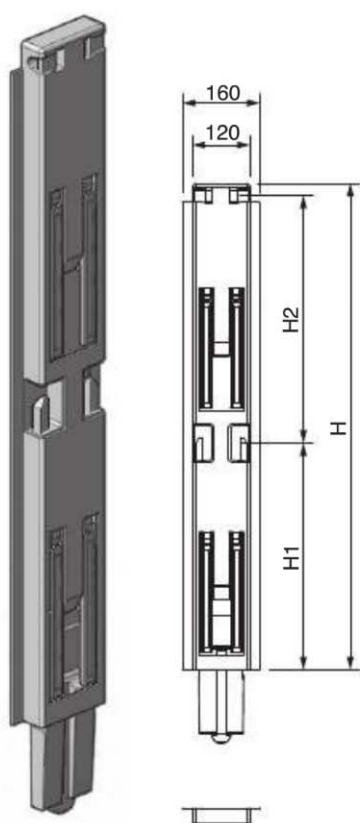
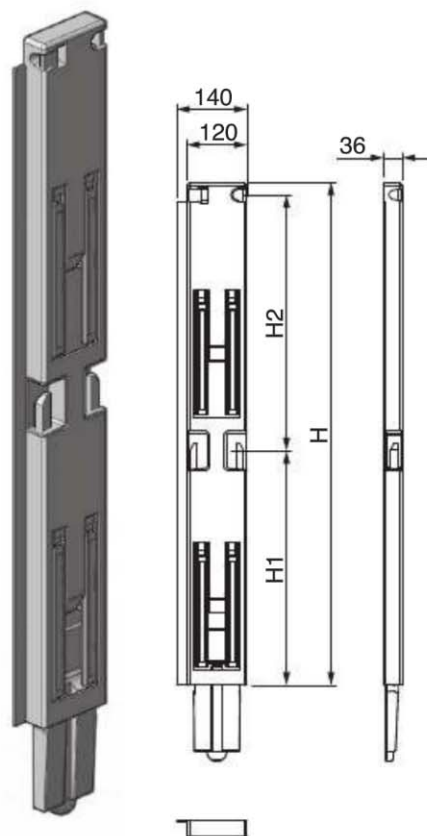


RAPP. VERSIONE POSTERIORE SX
SHOWN REAR LEFT VERSION



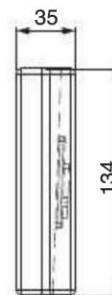
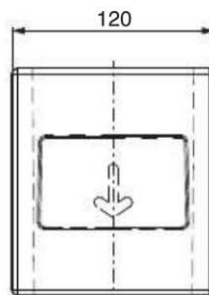
DISPONIBILE VERSIONE INOX FIORETTATO / ANTI-REFLEX STAINLESS STEEL VERSION AVAILABLE

H HEIGHT (mm)	MATERIALE MATERIAL	ANTERIORE FRONT (right/left)	CENTRALE MIDDLE	POSTERIORE REAR (right/left)
405	ACCIAIO - STEEL	190700.00DX	190902.00	190903.00DX
		190700.00SX		190903.00SX
	ACC. INOX - STAINLESS STEEL	210700.00DX	210902.00	210903.00DX
		210700.00SX		210903.00SX
505	ACCIAIO - STEEL	190704.00DX	190906.00	190907.00DX
		190704.00SX		190907.00SX
	ACC. INOX - STAINLESS STEEL	210704.00DX	210906.00	210907.00DX
		210704.00SX		210907.00SX
605	ACCIAIO - STEEL	190708.00DX	190910.00	190911.00DX
		190708.00SX		190911.00SX
	ACC. INOX - STAINLESS STEEL	210708.00DX	210910.00	210911.00DX
		210708.00SX		210911.00SX
705	ACCIAIO - STEEL	190712.00DX	190914.00	190915.00DX
		190712.00SX		190915.00SX
	ACC. INOX - STAINLESS STEEL	210712.00DX	210914.00	210915.00DX
		210712.00SX		210915.00SX
805	ACCIAIO - STEEL	190716.00DX	190918.00	190919.00DX
		190716.00SX		190919.00SX
	ACC. INOX - STAINLESS STEEL	210716.00DX	210918.00	210919.00DX
		210716.00SX		210919.00SX
905	ACCIAIO - STEEL	190720.00DX	190922.00	190923.00DX
		190720.00SX		190923.00SX
	ACC. INOX - STAINLESS STEEL	210720.00DX	210922.00	210923.00DX
		210720.00SX		210923.00SX

RAPP. VERSIONE ANTERIORE SX
 SHOWN FRONT LEFT VERSION

CENTRALE
 MIDDLE

RAPP. VERSIONE POSTERIORE SX
 SHOWN REAR LEFT VERSION

DISPONIBILE VERSIONE INOX FIORETTATO / ANTI-REFLEX STAINLESS STEEL VERSION AVAILABLE

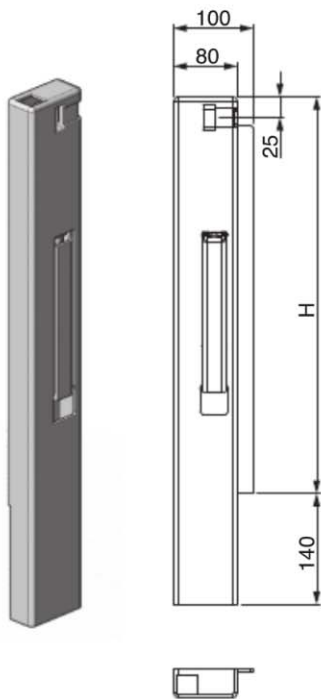
H HEIGHT (mm)	H1	H2	MATERIALE MATERIAL	ANTERIORE FRONT (right/left)	CENTRALE MIDDLE	POSTERIORE REAR (right/left)	
1005	512	468	ACCIAIO - STEEL	190744.00DX	190942.00	190943.00DX	
				190744.00SX		190943.00SX	
			ACC. INOX - STAINLESS STEEL	210744.00DX		210942.00	210943.00DX
				210744.00SX			210943.00SX
1105	512	568	ACCIAIO - STEEL	190748.00DX	190946.00		190947.00DX
				190748.00SX			190947.00SX
			ACC. INOX - STAINLESS STEEL	210748.00DX		210946.00	210947.00DX
				210748.00SX			210947.00SX

SEDE - SOCKET

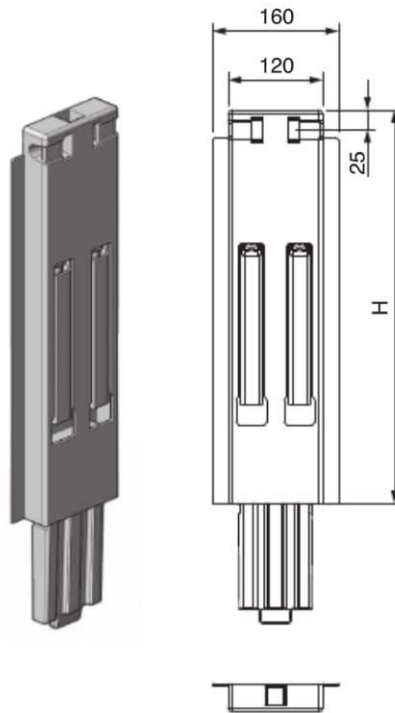

COD.
130027.00
Kg.
1,900

S.36 ALU 25 mm

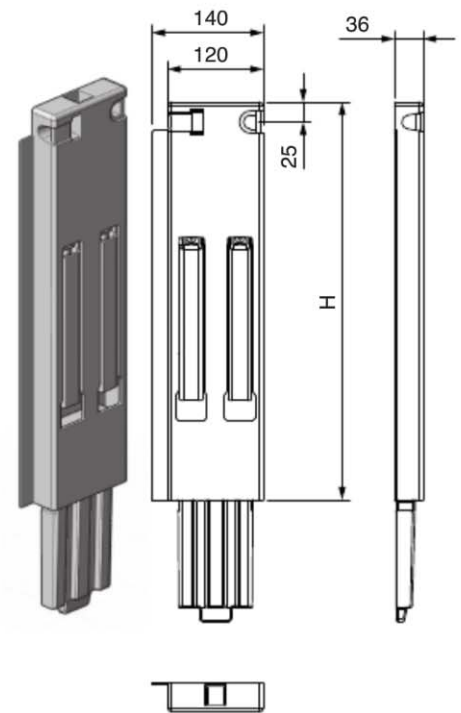
RAPP. VERSIONE ANTERIORE SX
SHOWN FRONT LEFT VERSION



CENTRALE
MIDDLE

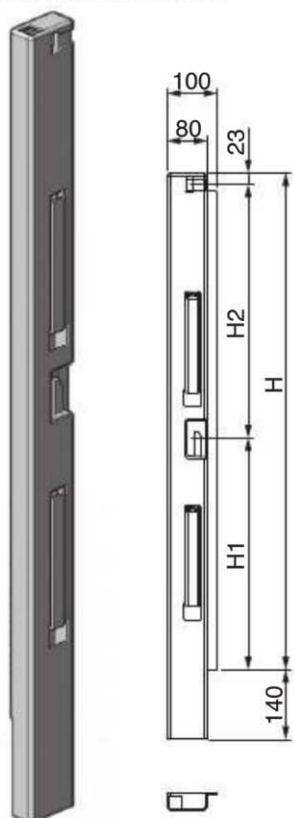
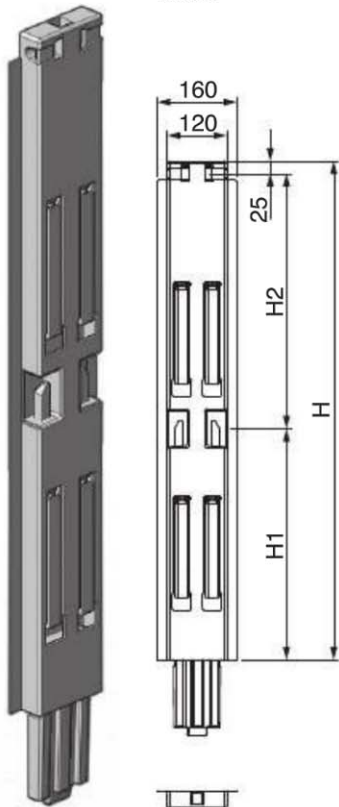
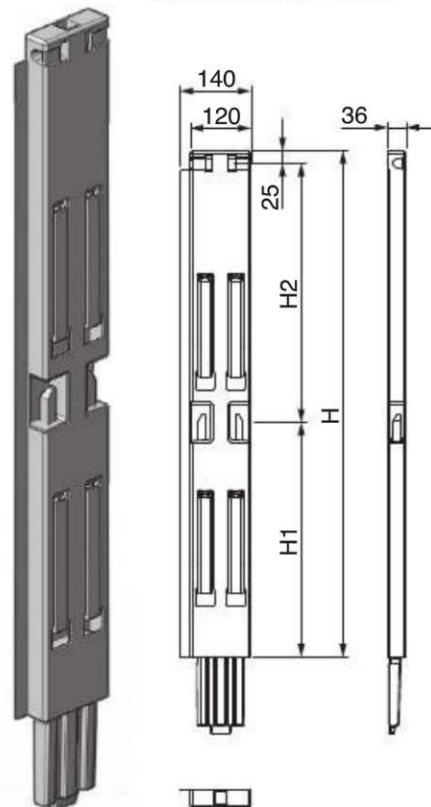


RAPP. VERSIONE POSTERIORE SX
SHOWN REAR LEFT VERSION



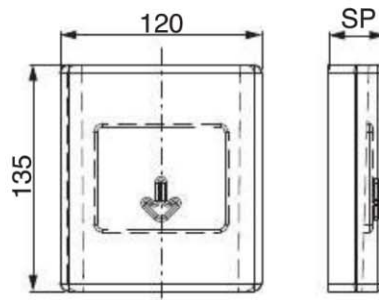
DISPONIBILE VERSIONE INOX FIORETTATO / ANTI-REFLEX STAINLESS STEEL VERSION AVAILABLE

H HEIGHT (mm)	MATERIALE MATERIAL	ANTERIORE FRONT (right/left)	CENTRALE MIDDLE	POSTERIORE REAR (right/left)
400	ACCIAIO - STEEL	056.066.DX.00	056.648.00.00	056.649.DX.00
		056.066.SX.00		056.649.SX.00
	ACC. INOX - STAINLESS STEEL	/	/	/
500	ACCIAIO - STEEL	056.100.DX.00	056.101.00.00	056.102.DX.00
		056.100.SX.00		056.102.SX.00
	ACC. INOX - STAINLESS STEEL	057.500.DX.00	057.501.00.00	057.502.DX.00
		057.500.SX.00		057.502.SX.00
600	ACCIAIO - STEEL	056.103.DX.00	056.104.00.00	056.105.DX.00
		056.103.SX.00		056.105.SX.00
	ACC. INOX - STAINLESS STEEL	057.503.DX.00	057.504.00.00	057.505.DX.00
		057.503.SX.00		057.505.SX.00
700	ACCIAIO - STEEL	056.106.DX.00	056.107.00.00	056.108.DX.00
		056.106.SX.00		056.108.SX.00
	ACC. INOX - STAINLESS STEEL	057.506.DX.00	057.507.00.00	057.508.DX.00
		057.506.SX.00		057.508.SX.00
800	ACCIAIO - STEEL	056.109.DX.00	056.112.00.00	056.113.DX.00
		056.109.SX.00		056.113.SX.00
	ACC. INOX - STAINLESS STEEL	057.509.DX.00	057.512.00.00	057.513.DX.00
		057.509.SX.00		057.513.SX.00
900	ACCIAIO - STEEL	056.114.DX.00	056.117.00.00	056.118.DX.00
		056.114.SX.00		056.118.SX.00
	ACC. INOX - STAINLESS STEEL	/	/	/

RAPP. VERSIONE ANTERIORE SX
SHOWN FRONT LEFT VERSION**CENTRALE**
MIDDLE**RAPP. VERSIONE POSTERIORE SX**
SHOWN REAR LEFT VERSION**DISPONIBILE VERSIONE INOX FIORETTATO / ANTI-REFLEX STAINLESS STEEL VERSION AVAILABLE**

H HEIGHT (mm)	H1	H2	MATERIALE MATERIAL	ANTERIORE FRONT (right/left)	CENTRALE MIDDLE	POSTERIORE REAR (right/left)
1000	512	466	ACCIAIO - STEEL	056.134.DX.00	056.137.00	056.138.DX.00
			ACC. INOX - STAINLESS STEEL	056.134.SX.00		056.138.SX.00
1100	512	566	ACCIAIO - STEEL	057.534.DX.00	057.537.00	057.538.DX.00
			ACC. INOX - STAINLESS STEEL	057.534.SX.00		057.538.SX.00
1200	612	566	ACCIAIO - STEEL	056.139.DX.00	056.142.00	056.143.DX.00
			ACC. INOX - STAINLESS STEEL	056.139.SX.00		056.143.SX.00
1200	612	566	ACCIAIO - STEEL	057.539.DX.00	057.542.00	057.543.DX.00
			ACC. INOX - STAINLESS STEEL	057.539.SX.00		057.543.SX.00
1200	612	566	ACCIAIO - STEEL	056.144.DX.00	056.147.00	056.148.DX.00
			ACC. INOX - STAINLESS STEEL	056.144.SX.00		056.148.SX.00
1200	612	566	ACCIAIO - STEEL	057.544.DX.00	057.547.00	057.548.DX.00
			ACC. INOX - STAINLESS STEEL	057.544.SX.00		057.548.SX.00

SEDE - SOCKET



COD.

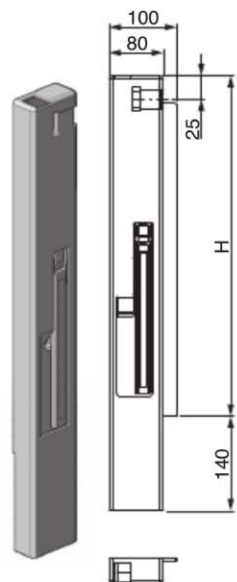
050.020.00.00

Kg.

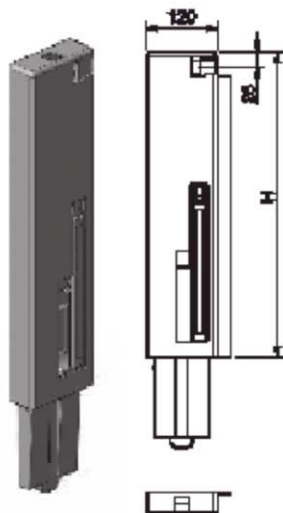
1,850

S.41 ALU 30 mm

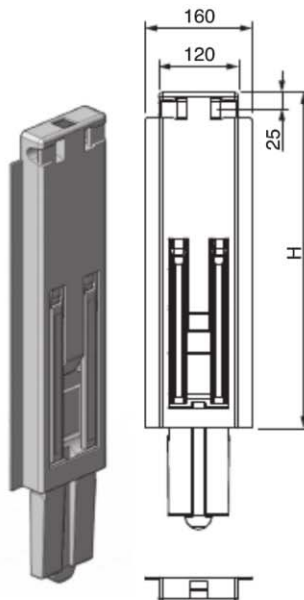
**RAPP. VERSIONE
ANTERIORE SX**
SHOWN FRONT LEFT
VERSION



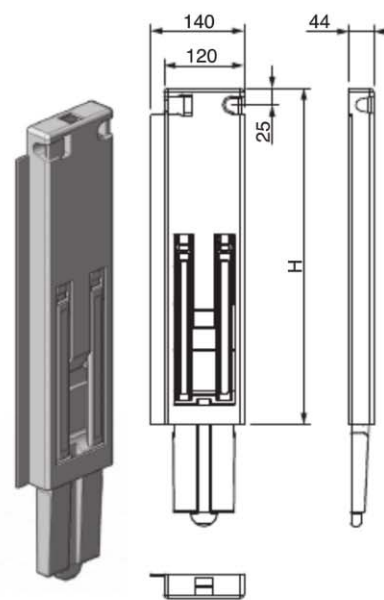
**RAPP. VERSIONE
ANTERIORE SX
L=120**
SHOWN FRONT LEFT
L=120 VERSION



**CENTRALE
MIDDLE**

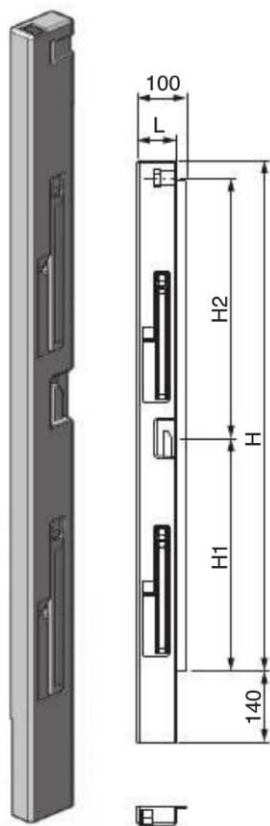
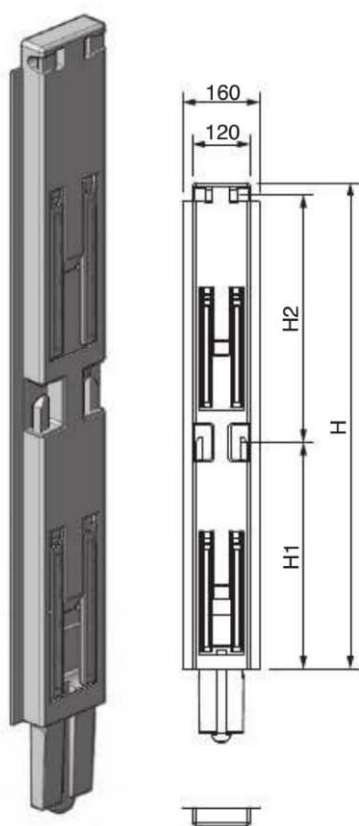
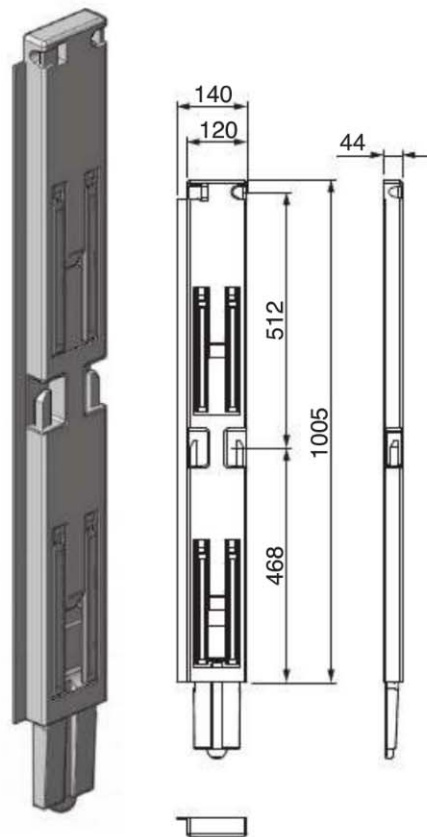


**RAPP. VERSIONE
POSTERIORE SX**
SHOWN REAR LEFT
VERSION



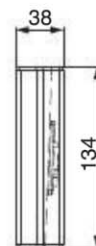
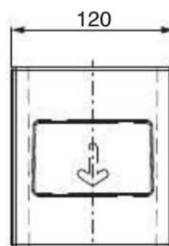
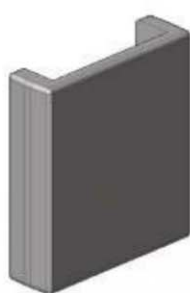
DISPONIBILE VERSIONE INOX FIORETTATO / ANTI-REFLEX STAINLESS STEEL VERSION AVAILABLE

H (mm)	MATERIALE MATERIAL	ANTERIORE FRONT (right/left) L=80	ANTERIORE FRONT (right/left) L=120	CENTRALE MIDDLE	POSTERIORE REAR (right/left)
405	ACCIAIO - STEEL	191000.00DX	/	191002.00	191003.00DX
		191000.00SX			191003.00SX
	ACC. INOX - STAINLESS STEEL	/	/	/	/
505	ACCIAIO - STEEL	191004.00DX	191005.00DX	191006.00	191007.00DX
		191004.00SX	191005.00SX		191007.00SX
	ACC. INOX - STAINLESS STEEL	211004.00DX	/	211006.00	211007.00DX
		211004.00SX			211007.00SX
605	ACCIAIO - STEEL	191008.00DX	191009.00DX	191010.00	191011.00DX
		191008.00SX	191009.00SX		191011.00SX
	ACC. INOX - STAINLESS STEEL	211008.00DX	/	211010.00	211011.00DX
		211008.00SX			211011.00SX
705	ACCIAIO - STEEL	191012.00DX	191013.00DX	191014.00	191015.00DX
		191012.00SX	191013.00SX		191015.00SX
	ACC. INOX - STAINLESS STEEL	211012.00DX	/	211014.00	211015.00DX
		211012.00SX			211015.00SX
805	ACCIAIO - STEEL	191016.00DX	191017.00DX	191018.00	191019.00DX
		191016.00SX	191017.00SX		191019.00SX
	ACC. INOX - STAINLESS STEEL	211016.00DX	/	211018.00	211019.00DX
		211016.00SX			211019.00SX
905	ACCIAIO - STEEL	191020.00DX	/	191022.00	191023.00DX
		191020.00SX			191023.00SX
	ACC. INOX - STAINLESS STEEL	211020.00DX	/	211022.00	211023.00DX
		211020.00SX			211023.00SX

RAPP. VERSIONE ANTERIORE SX
 SHOWN FRONT LEFT VERSION

CENTRALE
 MIDDLE

RAPP. VERSIONE POSTERIORE SX
 SHOWN REAR LEFT VERSION

DISPONIBILE VERSIONE INOX FIORETTATO / ANTI-REFLEX STAINLESS STEEL VERSION AVAILABLE

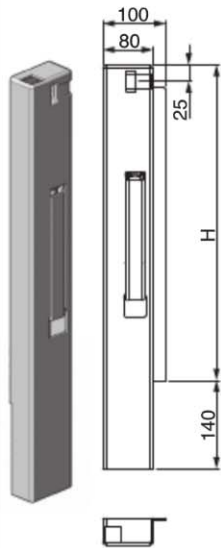
H (mm)	H1	H2	MATERIALE MATERIAL	ANTERIORE FRONT (right/left) L=80	CENTRALE MIDDLE	POSTERIORE REAR (right/left)
1005	512	468	ACCIAIO - STEEL	191044.00DX	191042.00	191043.00DX
				191044.00SX		191043.00SX
			ACC. INOX - STAINLESS STEEL	211044.00DX	211042.00	211043.00DX
				211044.00SX		211043.00SX

SEDE - SOCKET

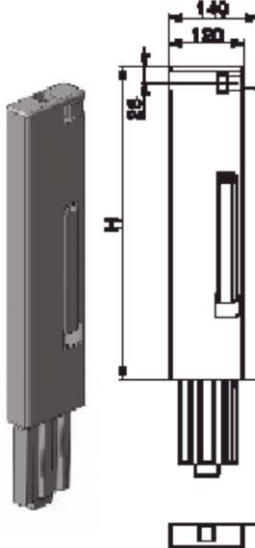

COD.
130029.00
Kg.
2.100

S.41 ALU 30 mm

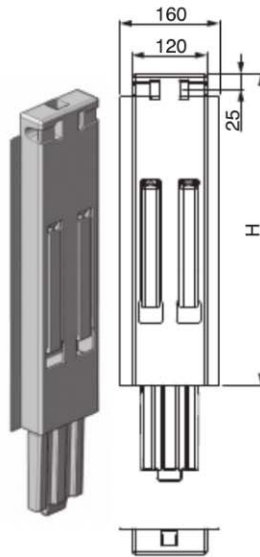
**RAPP. VERSIONE
ANTERIORE SX**
SHOWN FRONT
LEFT VERSION



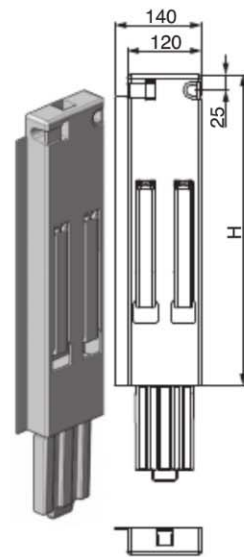
**RAPP. VERSIONE
ANTERIORE SX
L=120**
SHOWN FRONT LEFT
L=120 VERSION



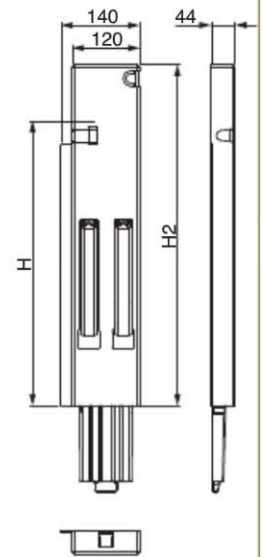
**CENTRALE
MIDDLE**



**RAPP. VERSIONE
POSTERIORE SX**
SHOWN REAR
LEFT VERSION

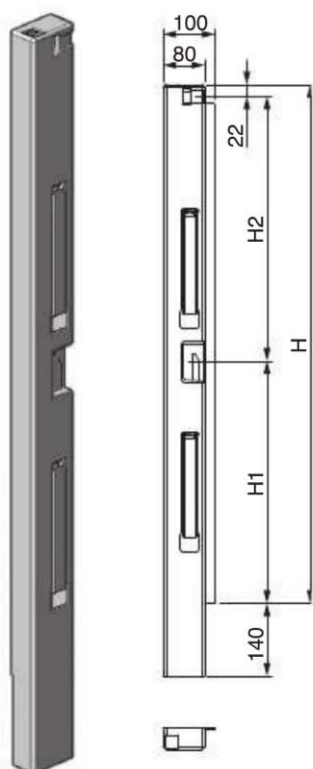
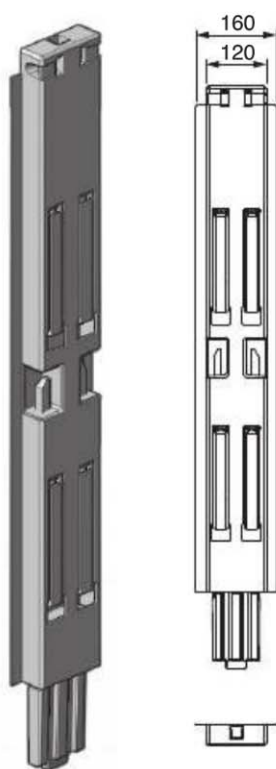
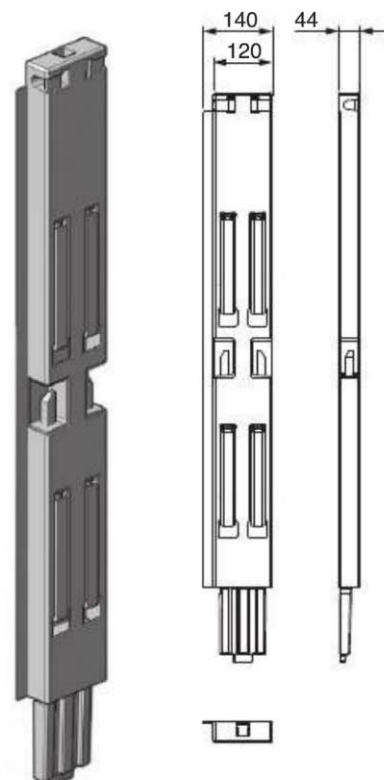


**RAPP. VERSIONE
POSTERIORE 2H SX**
SHOWN REAR
LEFT VERSION



H (mm)	H/H2 (mm)	MATERIALE MATERIAL	ANTERIORE FRONT L=80 (right/left)	ANTERIORE FRONT L=120 (right/left)	CENTRALE MIDDLE	POSTERIORE REAR (right/left)	POSTERIORE 2H 2H REAR (right/left)
400	400/500	ACCIAIO STEEL	056.642.DR.00 056.642.SR.00	/	056.644.00.00	056.645.DR.00 056.645.SR.00	056.748.DX.00 056.748.SX.00
		ACC. INOX STAINLESS STEEL	/	/	/	/	/
500	500/600	ACCIAIO STEEL	056.150.DR.00 056.150.SR.00	/	056.151.0R.00	056.152.DR.00 056.152.SR.00	056.756.DX.00 056.756.SX.00
		ACC. INOX STAINLESS STEEL	/	/	/	/	/
600	600/700	ACCIAIO STEEL	056.153.DR.00 056.153.SR.00	/	051.154.0R.00	056.155.DR.00 056.155.SR.00	056.757.DX.00 056.757.SX.00
		ACC. INOX STAINLESS STEEL	/	/	/	/	/
700	700/800	ACCIAIO STEEL	056.156.DX.00 056.156.SX.00	/	056.157.00.00	056.158.DX.00 056.158.SX.00	056.758.DX.00 056.758.SX.00
		ACC. INOX STAINLESS STEEL	/	/	/	/	/
800	800/900	ACCIAIO STEEL	056.159.DR.00 056.159.SR.00	056.160.DX.00 056.160.SX.00	056.162.0R.00	056.163.DR.00 056.163.SR.00	056.759.DX.00 056.759.SX.00
		ACC. INOX STAINLESS STEEL	/	/	/	/	/
900	/	ACCIAIO STEEL	056.164.DX.00 056.164.SX.00	056.165.DX.00 056.165.SX.00	056.167.00.00	056.168.DX.00 056.168.SX.00	/
		ACC. INOX STAINLESS STEEL	/	/	/	/	/

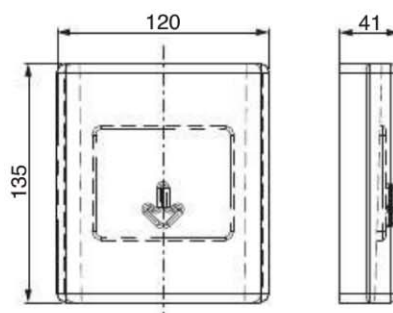
DISPONIBILE VERSIONE INOX FIORETTATO / ANTI-REFLEX STAINLESS STEEL VERSION AVAILABLE

RAPP. VERSIONE ANTERIORE SX
 SHOWN FRONT LEFT VERSION

CENTRALE
 MIDDLE

RAPP. VERSIONE POSTERIORE SX
 SHOWN REAR LEFT VERSION


H HEIGHT (mm)	H1	H2	MATERIALE MATERIAL	ANTERIORE FRONT (right/left)	CENTRALE MIDDLE	POSTERIORE REAR (right/left)
1000	512	466	ACCIAIO - STEEL	056.184.DX.00	056.187.00.00	056.188.DX.00
				056.184.SX.00		056.188.SX.00
			ACC. INOX - STAINLESS STEEL	/	/	/
1100	512	566	ACCIAIO - STEEL	056.189.DX.00	056.192.00.00	056.193.DX.00
				056.189.SX.00		056.193.SX.00
			ACC. INOX - STAINLESS STEEL	/	/	/
1200	612	566	ACCIAIO - STEEL	056.194.DX.00	056.197.00.00	056.198.DX.00
				056.194.SX.00		056.198.SX.00
			ACC. INOX - STAINLESS STEEL	/	/	/

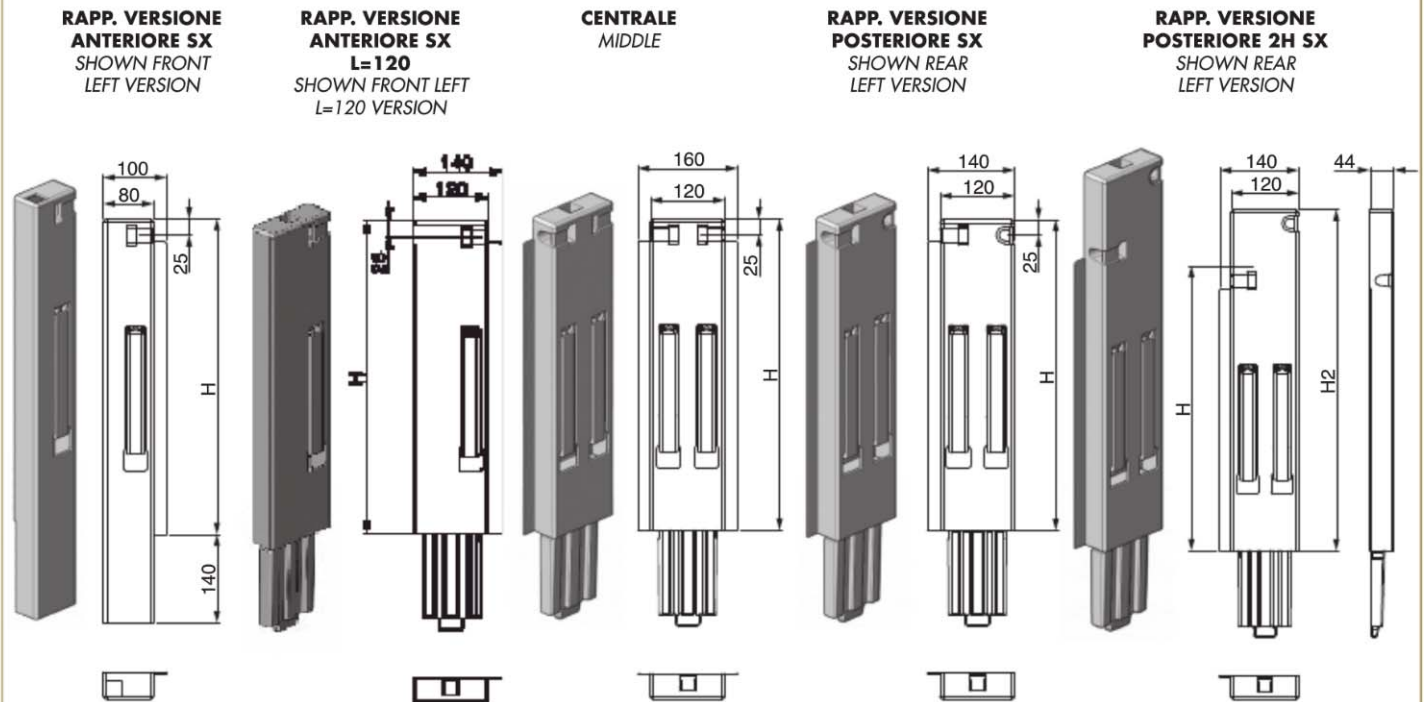
DISPONIBILE VERSIONE INOX FIORETTATO / ANTI-REFLEX STAINLESS STEEL VERSION AVAILABLE

SEDE - SOCKET


COD.
050.045.00.00
Kg.

2.520

S.41 ALU 30 mm (H+5mm)



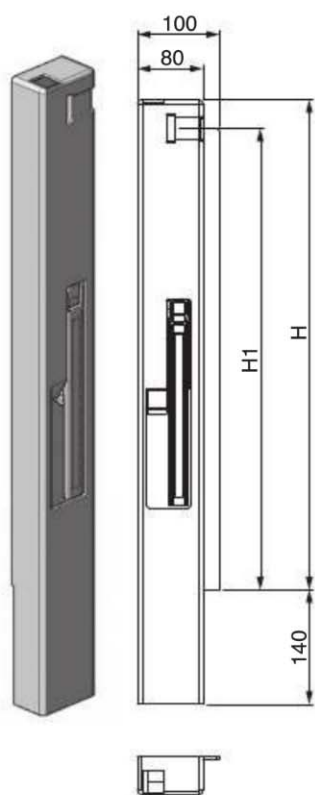
SEDE MONTANTE COD. 050.045.00.00 - PILLAR SOCKET COD. 050.045.00.00

H (mm)	H/H2 (mm)	MATERIALE MATERIAL	ANTERIORE FRONT L=80 (right/left)	ANTERIORE FRONT L=120 (right/left)	CENTRALE MIDDLE	POSTERIORE REAR (right/left)	POSTERIORE 2H 2H REAR (right/left)
405	/	ACCIAIO STEEL	056.340.DX.00	056.344.DX.00	/	/	/
		ACC. INOX STAINLESS STEEL	/	/	/	/	/
505	505/605	ACCIAIO STEEL	056.350.DX.00	056.354.DX.00	056.352.00.00	056.353.DX.00	056.355.DX.00
		ACC. INOX STAINLESS STEEL	/	/	/	/	/
605	605/705	ACCIAIO STEEL	056.360.DX.00	056.364.DX.00	056.362.00.00	056.363.DX.00	056.365.DX.00
		ACC. INOX STAINLESS STEEL	/	/	/	/	/
705	/	ACCIAIO STEEL	056.366.DX.00	056.370.DX.00	056.368.00.00	056.369.DX.00	/
		ACC. INOX STAINLESS STEEL	/	/	/	/	/
805	805/905	ACCIAIO STEEL	056.372.DX.00	056.376.DX.00	056.374.00.00	056.375.DX.00	056.377.DX.00
		ACC. INOX STAINLESS STEEL	/	/	/	/	/
905	/	ACCIAIO STEEL	056.378.DX.00	056.382.DX.00	056.380.00.00	056.381.DX.00	/
		ACC. INOX STAINLESS STEEL	/	/	/	/	/

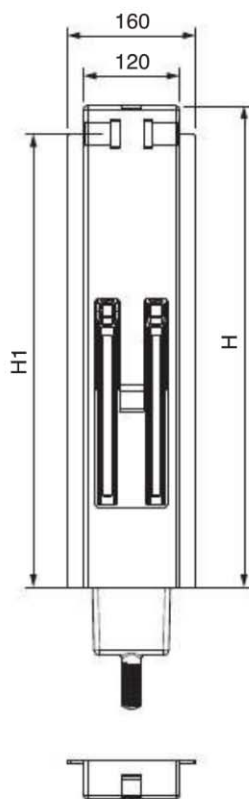
DISPONIBILE VERSIONE INOX FIORETTATO / ANTI-REFLEX STAINLESS STEEL VERSION AVAILABLE

S.50 SPONDE DA 45mm - 45mm SIDEBOARDS

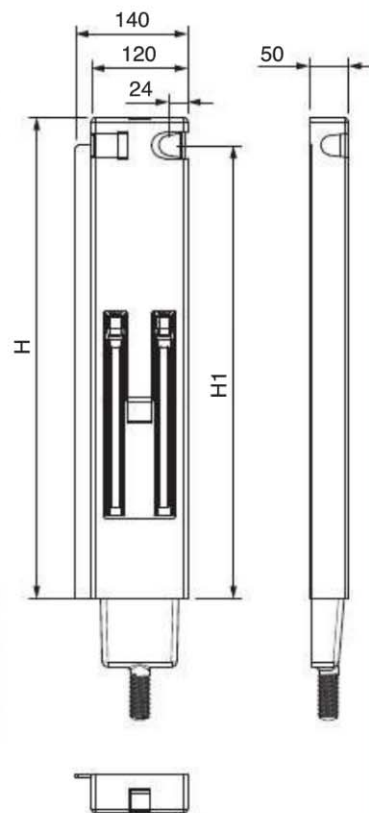
RAPP. VERSIONE ANTERIORE SX
SHOWN FRONT LEFT VERSION



CENTRALE
MIDDLE



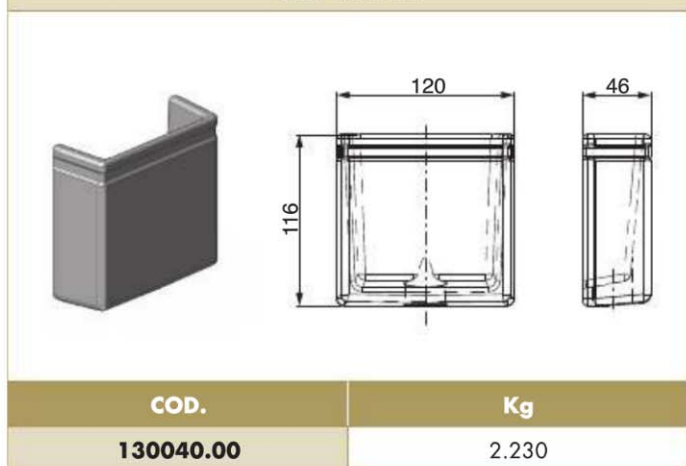
RAPP. VERSIONE POSTERIORE SX
SHOWN REAR LEFT VERSION



H(mm)	H1	ANTERIORE FRONT (right/left)	CENTRALE MIDDLE	POSTERIORE REAR (right/left)
500	465	191104.00DX	191106.00	191107.00DX
		191104.00SX		191107.00SX
600	565	191108.00DX	191110.00	191111.00DX
		191108.00SX		191111.00SX
700	665	191112.00DX	191114.00	191115.00DX
		191112.00SX		191115.00SX
800	765	191116.00DX	191118.00	191119.00DX
		191116.00SX		191119.00SX

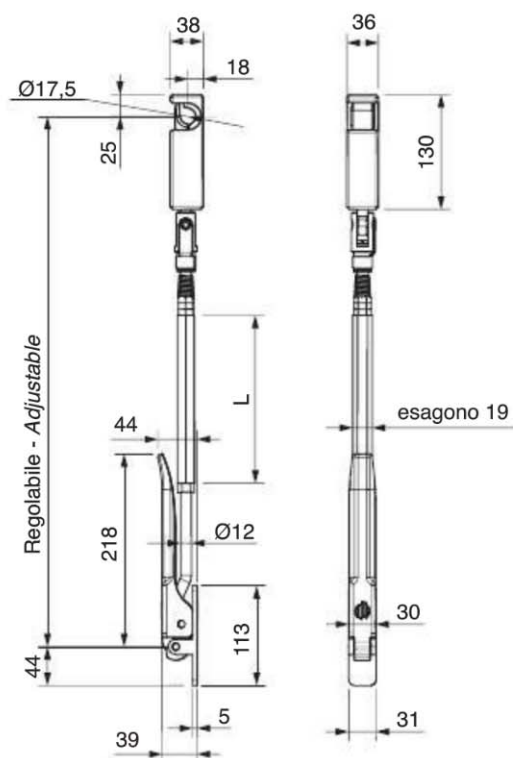
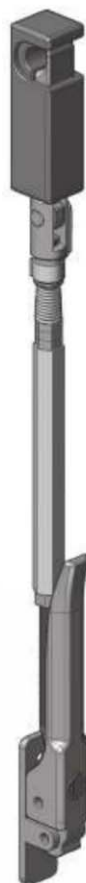
Modelli non presenti in tabella disponibili su richiesta - Different height available on demand

SEDE - SOCKET

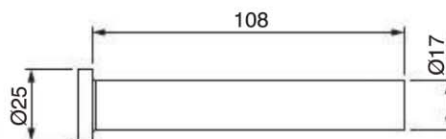


DADO M24 - M24 NUT



ESEMPIO DI APPLICAZIONE
 EXAMPLE OF APPLICATION


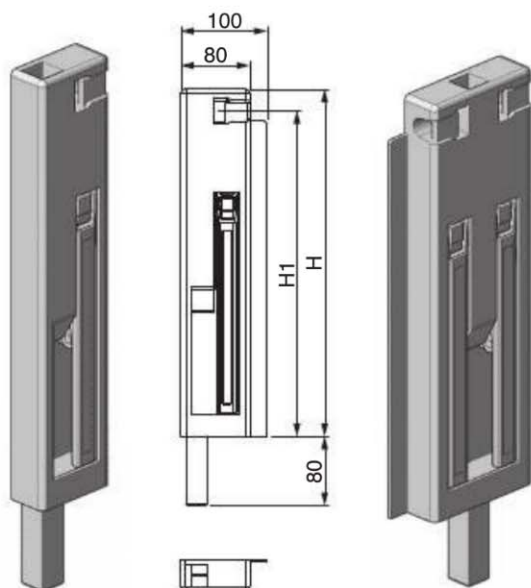
H Sponda (mm) Sideboard height (mm)	L (mm)	COD.	Kg
400	-	130799.00K	2.050
500	90	130794.00K	2.200
600	190	130795.00K	2.600
800	390	130796.00K	2.900
1000	590	130797.00K	3.400
1400	990	130890.00K	4.400

PERNO Ø17 PER CHIUSURA "KARNAZ" - Ø17 PIN FOR "KARNAZ" LOCKS


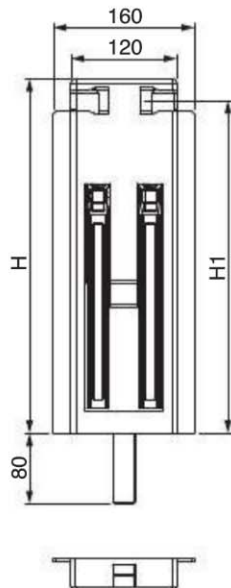
COD.	Kg
130075.00	0.200

S.36 ALU 25 mm

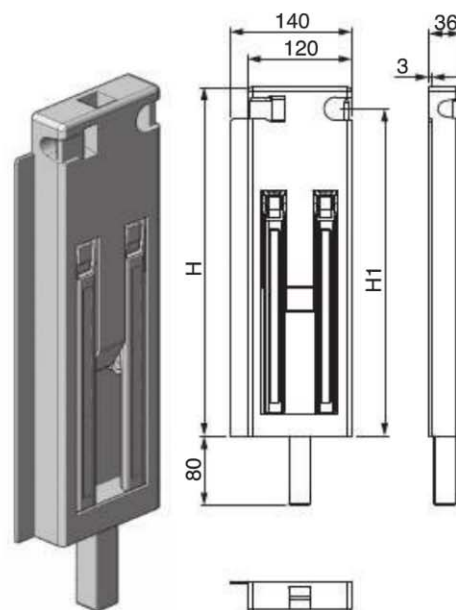
RAPP. VERSIONE ANTERIORE SX
SHOWN FRONT LEFT VERSION



CENTRALE
MIDDLE



RAPP. VERSIONE POSTERIORE SX
SHOWN REAR LEFT VERSION

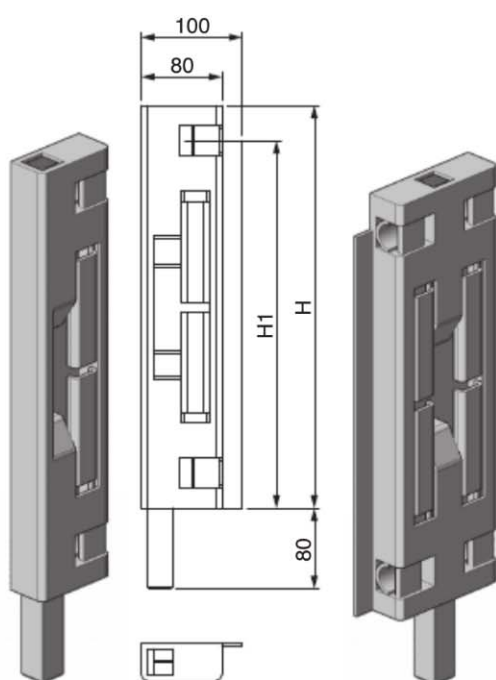


DISPONIBILE VERSIONE INOX FIORETTATO / ANTI-REFLEX STAINLESS STEEL VERSION AVAILABLE

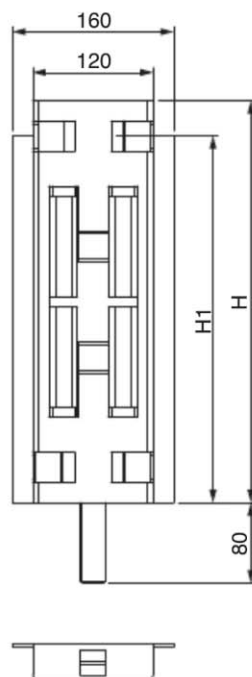
H	H1	MATERIALE MATERIAL	ANTERIORE FRONT (right/left)	CENTRALE MIDDLE	POSTERIORE REAR (right/left)
400	378	ACCIAIO - STEEL	190300.00DX	190302.00	190303.00DX
			190300.00SX		190303.00SX
		ACC. INOX - STAINLESS STEEL	210300.00DX	210302.00	210303.00DX
			210300.00SX		210303.00SX
500	478	ACCIAIO - STEEL	190304.00DX	190306.00	190307.00DX
			190304.00SX		190307.00SX
		ACC. INOX - STAINLESS STEEL	210304.00DX	210306.00	210307.00DX
			210304.00SX		210307.00SX
600	578	ACCIAIO - STEEL	190308.00DX	190310.00	190311.00DX
			190308.00SX		190311.00SX
		ACC. INOX - STAINLESS STEEL	210308.00DX	210310.00	210311.00DX
			210308.00SX		210311.00SX
700	678	ACCIAIO - STEEL	190312.00DX	190314.00	190315.00DX
			190312.00SX		190315.00SX
		ACC. INOX - STAINLESS STEEL	210312.00DX	210314.00	210315.00DX
			210312.00SX		210315.00SX
800	778	ACCIAIO - STEEL	190316.00DX	190318.00	190319.00DX
			190316.00SX		190319.00SX
		ACC. INOX - STAINLESS STEEL	210316.00DX	210318.00	210319.00DX
			210316.00SX		210319.00SX

S.36 ALU 25 mm

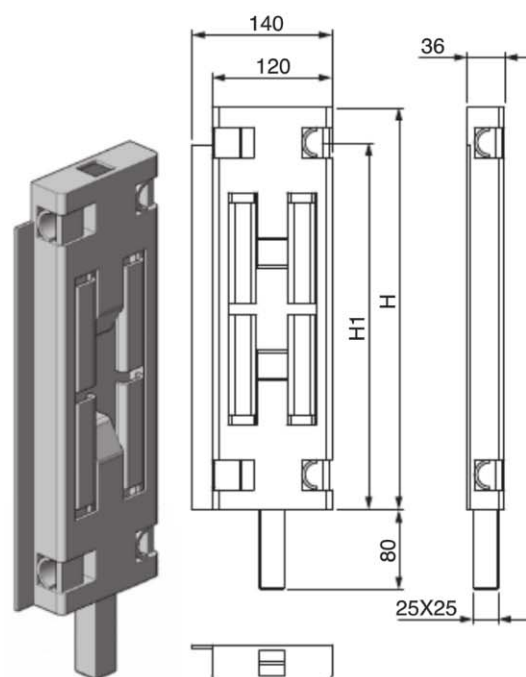
RAPP. VERSIONE ANTERIORE SX
SHOWN FRONT LEFT VERSION



CENTRALE
MIDDLE



RAPP. VERSIONE POSTERIORE SX
SHOWN REAR LEFT VERSION



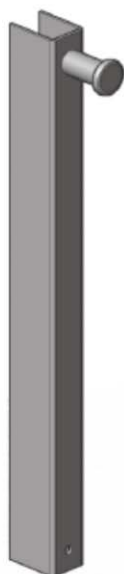
DISPONIBILE VERSIONE INOX FIORETTATO / ANTI-REFLEX STAINLESS STEEL VERSION AVAILABLE

H	H1	MATERIALE MATERIAL	ANTERIORE FRONT (right/left)	CENTRALE MIDDLE	POSTERIORE REAR (right/left)
400	330	ACCIAIO - STEEL	132240.00DX 132240.00SX	132241.00	132242.00DX 132242.00SX
		ACC. INOX - STAINLESS STEEL	140503.00DX 140503.00SX		140504.00
500	430	ACCIAIO - STEEL	132243.00DX 132243.00SX	132244.00	132245.00DX 132245.00SX
		ACC. INOX - STAINLESS STEEL	140506.00DX 140506.00SX		140507.00
600	530	ACCIAIO - STEEL	132246.00DX 132246.00SX	132247.00	132248.00DX 132248.00SX
		ACC. INOX - STAINLESS STEEL	140509.00DX 140509.00SX		140510.00
700	630	ACCIAIO - STEEL	132249.00DX 132249.00SX	132250.00	132251.00DX 132251.00SX
		ACC. INOX - STAINLESS STEEL	140512.00DX 140512.00SX		140513.00
800	730	ACCIAIO - STEEL	132252.00DX 132252.00SX	132253.00	132254.00DX 132254.00SX
		ACC. INOX - STAINLESS STEEL	140515.00DX 140515.00SX		140516.00
900	830	ACCIAIO - STEEL	132256.00DX 132256.00SX	132257.00	132258.00DX 132258.00SX
		ACC. INOX - STAINLESS STEEL	140518.00DX 140518.00SX		140519.00
1000	930	ACCIAIO - STEEL	132270.00DX 132270.00SX	132271.00	132272.00DX 132272.00SX
		ACC. INOX - STAINLESS STEEL	140521.00DX 140521.00SX		140522.00

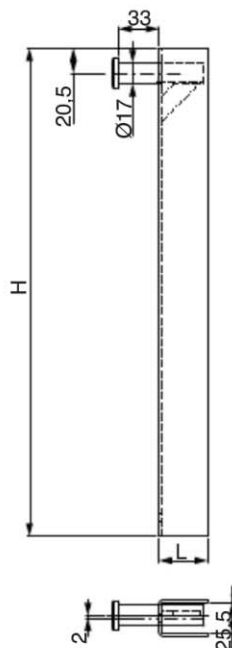
TESTATA PER SOPRAMONTANTI A LEVA OVER PILLAR END-PROFILE	TESTATA 180° PER SOPRAMONTANTI "POKER" 180° END-PROFILE FOR "POKER" OVER PILLAR	TESTATA FISSA PER SOPRAMONTANTI "POKER" FIXED END-PROFILE FOR "POKER" OVER PILLAR
	<p data-bbox="691 1115 1011 1160">RAPP. VERSIONE POSTERIORE SX SHOWN REAR LEFT VERSION</p>	

H (mm) Sponda Sideboard Height	H	COD. (right/left)	H	H1	COD. (right/left)	H	H1	COD. (right/left)
400	395	133300.00	400	330	132286.00DX 132286.00SX	395	330	133380.00
500	495	133301.00	500	430	132287.00DX 132287.00SX	495	430	133381.00
600	595	133302.00	600	530	132288.00DX 132288.00SX	595	530	133382.00
700	695	133303.00	700	630	132289.00DX 132289.00SX	695	630	133383.00
800	795	133304.00	800	730	132290.00DX 132290.00SX	795	730	133384.00
900	895	133305.00	900	830	132292.00DX 132292.00SX	895	830	133385.00
1000	995	133306.00	1000	930	132293.00DX 132293.00SX	995	930	133386.00
1100	1095	133307.00	1100	1030	132294.00DX 132294.00SX	1095	1030	133387.00
1200	1195	133308.00	1200	1130	132295.00DX 132295.00SX	1195	1130	133388.00

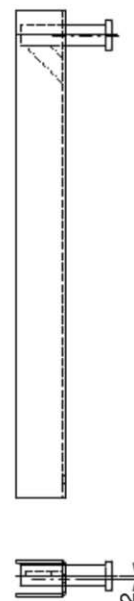
ALU 25 mm



RAPP. VERSIONE SX
SHOWN LEFT VERSION



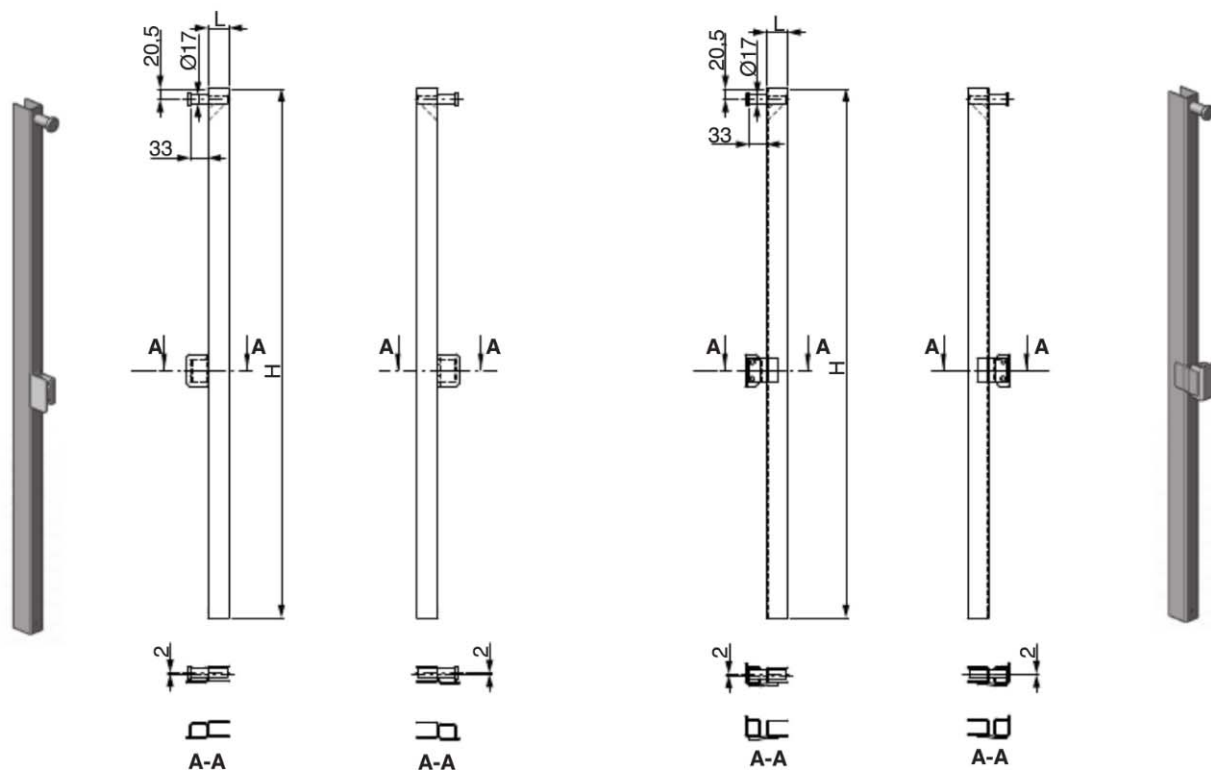
RAPP. VERSIONE DX
SHOWN RIGHT VERSION



H	MATERIALE MATERIAL	L = 40mm (right/left)	Kg.	L = 60mm (right/left)	Kg.
400	ZINCATA - ZINC PLATED	134900.01DX	0.750	134960.01DX	1.050
		134900.01SX		134960.01SX	
	ACC. INOX - STAINLESS STEEL	141300.00DX	0.750	141400.00DX	1.050
		141300.00SX		141400.00SX	
500	ZINCATA - ZINC PLATED	134901.01DX	0.950	134961.00DX	1.250
		134901.01SX		134961.00SX	
	ACC. INOX - STAINLESS STEEL	141301.00DX	0.950	141401.00DX	1.250
		141301.00SX		141401.00SX	
600	ZINCATA - ZINC PLATED	134902.01DX	1.100	134962.01DX	1.400
		134902.01SX		134962.01SX	
	ACC. INOX - STAINLESS STEEL	141302.00DX	1.100	141402.00DX	1.400
		141302.00SX		141402.00SX	
700	ZINCATA - ZINC PLATED	134903.01DX	1.250	134963.01DX	1.550
		134903.01SX		134963.01SX	
	ACC. INOX - STAINLESS STEEL	141303.00DX	1.250	141403.00DX	1.550
		141303.00SX		141403.00SX	
800	ZINCATA - ZINC PLATED	134904.01DX	1.400	134964.01DX	1.700
		134904.01SX		134964.01SX	
	ACC. INOX - STAINLESS STEEL	141304.00DX	1.400	141404.00DX	1.700
		141304.00SX		141404.00SX	
900	ZINCATA - ZINC PLATED	134905.01DX	1.600	134965.01DX	1.900
		134905.01SX		134965.01SX	
	ACC. INOX - STAINLESS STEEL	141305.00DX	1.600	141405.00DX	1.900
		141305.00SX		141405.00SX	
1000	ZINCATA - ZINC PLATED	134906.01DX	1.750	134966.01DX	2.050
		134906.01SX		134966.01SX	
	ACC. INOX - STAINLESS STEEL	141306.00DX	1.750	141406.00DX	2.050
		141306.00SX		141406.00SX	

• MODELLO L=60MM DISPONIBILE SU RICHIESTA - TYPE L=60MM AVAILABLE ON DEMAND

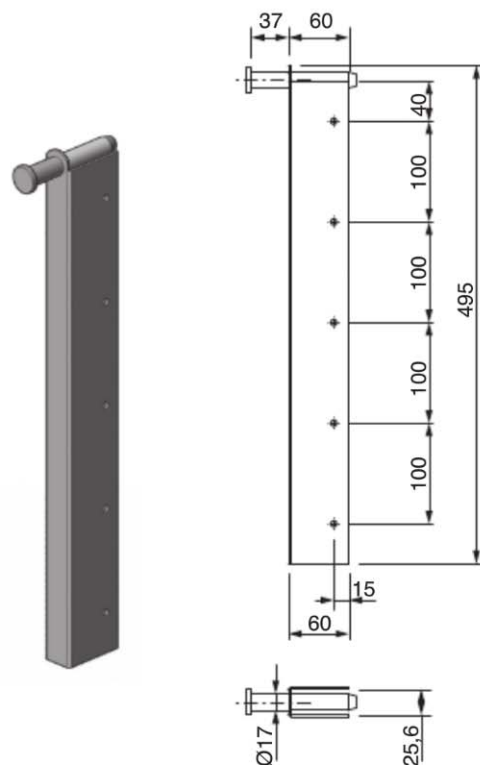
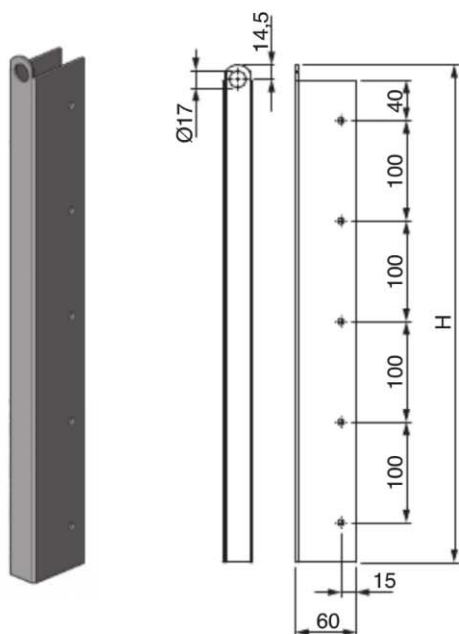
•• Le testate versione INOX SONO PREFORATE - STAINLESS STEEL SIDEBORD HEADS ARE PRE-HOLED

ALU 25 mm

TESTATE LATERALI - LATERAL HEADS					TESTATE POSTERIORI - REAR HEADS					
H mm	L mm	MATERIALE MATERIAL	COD. (right/left)	Kg.	H mm	L mm	MATERIALE MATERIAL	COD. (right/left)	Kg.	
1000	40	ZINCATA - ZINC PLATED	134913.01DX	1.850	1000	40	ZINCATA - ZINC PLATED	134914.01DX	1.900	
			134913.01SX					134914.01SX		
		ACC. INOX - STAIN. STEEL	141313.00DX				2.450	ACC. INOX - STAIN. STEEL		141314.00DX
			141313.00SX							141314.00SX
1100	40	ZINCATA - ZINC PLATED	134973.01DX	2.000	1100	40	ZINCATA - ZINC PLATED	134974.01DX	2.050	
			134973.01SX					134974.01SX		
		ACC. INOX - STAIN. STEEL	141413.00DX				2.600	ACC. INOX - STAIN. STEEL		141414.00DX
			141413.00SX							141414.00SX
1200	40	ZINCATA - ZINC PLATED	134915.01DX	2.100	1200	40	ZINCATA - ZINC PLATED	134916.01DX	2.150	
			134915.01SX					134916.01SX		
		ACC. INOX - STAIN. STEEL	141315.00DX				3.050	ACC. INOX - STAIN. STEEL		141316.00DX
			141315.00SX							141316.00SX
1200	60	ZINCATA - ZINC PLATED	134975.01DX	3.050	1200	60	ZINCATA - ZINC PLATED	134976.01DX	3.100	
			134975.01SX					134976.01SX		
		ACC. INOX - STAIN. STEEL	141415.00DX				3.100	ACC. INOX - STAIN. STEEL		141416.00DX
			141415.00SX							141416.00SX
1200	60	ZINCATA - ZINC PLATED	134917.01DX	2.100	1200	60	ZINCATA - ZINC PLATED	134918.01DX	2.150	
			134917.01SX					134918.01SX		
		ACC. INOX - STAIN. STEEL	141317.00DX				3.050	ACC. INOX - STAIN. STEEL		141318.00DX
			141317.00SX							141318.00SX
1200	60	ZINCATA - ZINC PLATED	134977.01DX	3.050	1200	60	ZINCATA - ZINC PLATED	134978.01DX	3.100	
			134977.01SX					134978.01SX		
		ACC. INOX - STAIN. STEEL	141417.00DX				3.050	ACC. INOX - STAIN. STEEL		141418.00DX
			141417.00SX							141418.00SX

• **MODELLO INOX DISPONIBILE SU RICHIESTA - INOX TYPE AVAILABLE ON DEMAND**

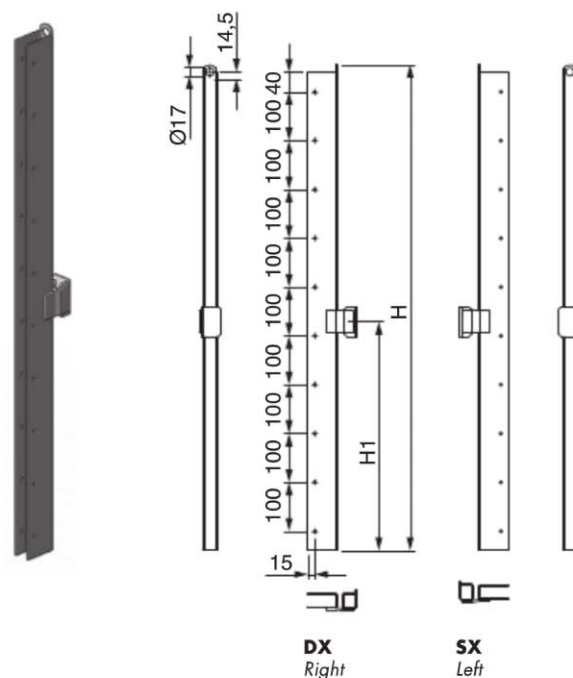
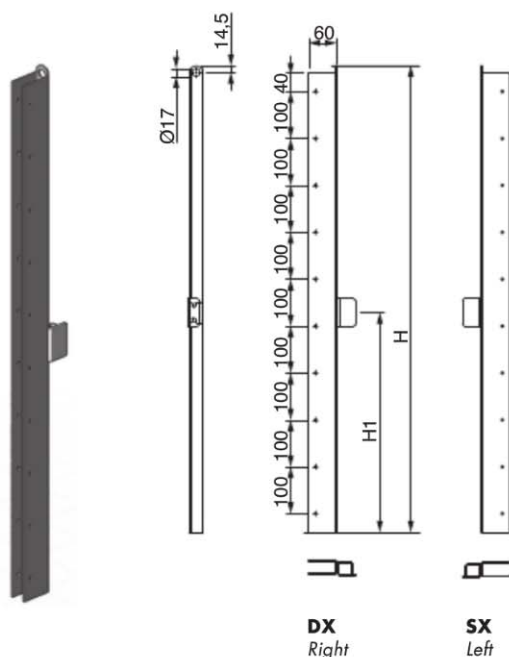
• **Le testate versione INOX SONO PREFORATE - STAINLESS STEEL SIDEBOARD HEADS ARE PRE-HOLED**

ALU 25 mm**TESTATE PER MONTANTI 1 CHIUSURA - *SIDEBOARDS HEADS FOR 1 LOCK PILLARS***

DISPONIBILE SU RICHIESTA - AVAILABLE ON DEMAND

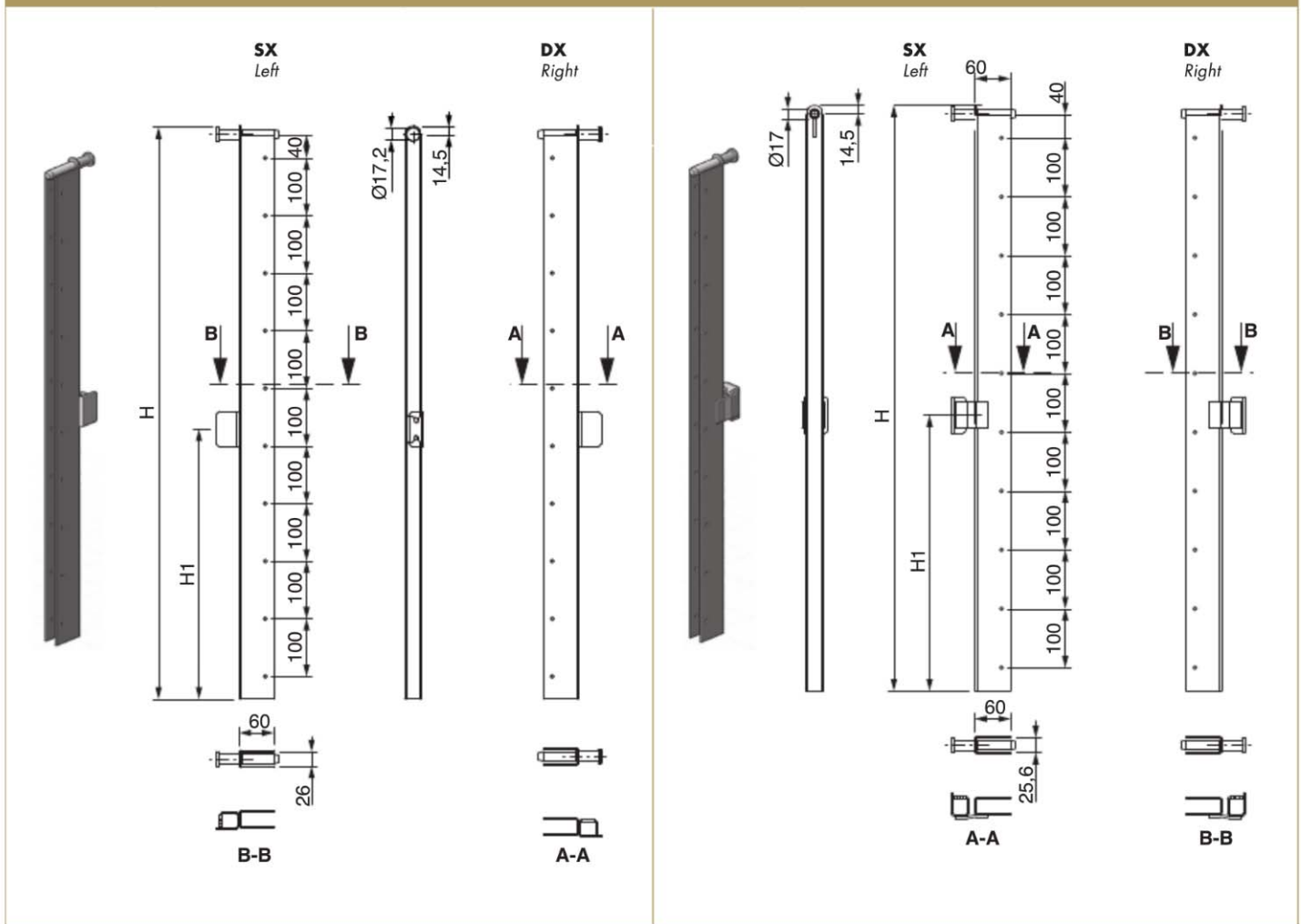
SOLO PROFILO - ONLY PROFILE**TESTATA COMPLETA DI PERNO - PROFILE + PIN**

H mm	MATERIALE MATERIAL	COD.	Kg.	H mm	MATERIALE MATERIAL	COD.	Kg.
395	ZINCATO - ZINC PLATED	131511.01	1.050	395	ZINCATA - ZINC PLATED	131521.01	1.185
	ACC. INOX - STAIN. STEEL	141511.00			ACC. INOX - STAIN. STEEL	141521.00	
495	ZINCATO - ZINC PLATED	131512.01	1.300	495	ZINCATA - ZINC PLATED	131522.01	1.435
	ACC. INOX - STAIN. STEEL	141512.00			ACC. INOX - STAIN. STEEL	141522.00	
595	ZINCATO - ZINC PLATED	131513.01	1.350	595	ZINCATA - ZINC PLATED	131523.01	1.685
	ACC. INOX - STAIN. STEEL	141513.00			ACC. INOX - STAIN. STEEL	141523.00	
695	ZINCATO - ZINC PLATED	131514.01	1.800	695	ZINCATA - ZINC PLATED	131524.01	1.935
	ACC. INOX - STAIN. STEEL	141514.00			ACC. INOX - STAIN. STEEL	141524.00	
795	ZINCATO - ZINC PLATED	131515.01	2.050	795	ZINCATA - ZINC PLATED	131525.01	2.185
	ACC. INOX - STAIN. STEEL	141515.00			ACC. INOX - STAIN. STEEL	141525.00	
895	ZINCATO - ZINC PLATED	131516.01	2.300	895	ZINCATA - ZINC PLATED	131526.01	2.435
	ACC. INOX - STAIN. STEEL	141516.00			ACC. INOX - STAIN. STEEL	141526.00	
995	ZINCATO - ZINC PLATED	131517.01	2.550	995	ZINCATA - ZINC PLATED	131527.01	2.685
	ACC. INOX - STAIN. STEEL	141517.00			ACC. INOX - STAIN. STEEL	141527.00	

ALU 25 mm**TESTATE SENZA PERNO PER MONTANTI 2 CHIUSURE - *SIDEBOARD HEADS WITHOUT PIN FOR 2 LOCKS PILLARS*****TESTATE LATERALI - LATERAL HEADS****TESTATE POSTERIORI - REAR HEADS**

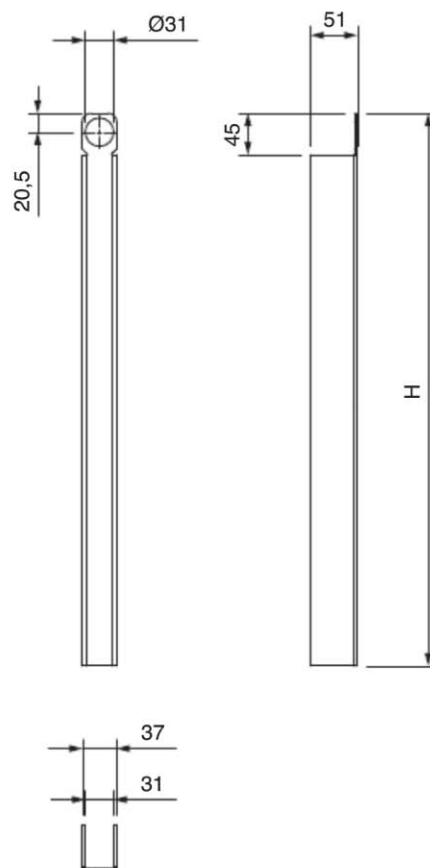
H mm	H1 mm	MATERIALE MATERIAL	COD. (right/left)	Kg.	H mm	H1 mm	MATERIALE MATERIAL	COD. (right/left)	Kg.
995	468.5	ZINCATA - ZINC PLATED	131535.01DX	2.715	995	468.5	ZINCATA - ZINC PLATED	131536.01DX	2.715
			131535.01SX					131536.01SX	
		ACC. INOX - STAIN. STEEL	141535.00DX				ACC. INOX - STAIN. STEEL	141536.00DX	
			141535.00SX					141536.00SX	
1095	568.5	ZINCATA - ZINC PLATED	131537.01DX	2.965	1095	568.5	ZINCATA - ZINC PLATED	131538.01DX	2.965
			131537.01SX					131538.01SX	
		ACC. INOX - STAIN. STEEL	141537.00DX				ACC. INOX - STAIN. STEEL	141538.00DX	
			141537.00SX					141538.00SX	
1195	568.5	ZINCATA - ZINC PLATED	131539.01DX	3.215	1195	568.5	ZINCATA - ZINC PLATED	131540.01DX	3.215
			131539.01SX					131540.01SX	
		ACC. INOX - STAIN. STEEL	141539.00DX				ACC. INOX - STAIN. STEEL	141540.00DX	
			141539.00SX					141540.00SX	

DISPONIBILE SU RICHIESTA - AVAILABLE ON DEMAND

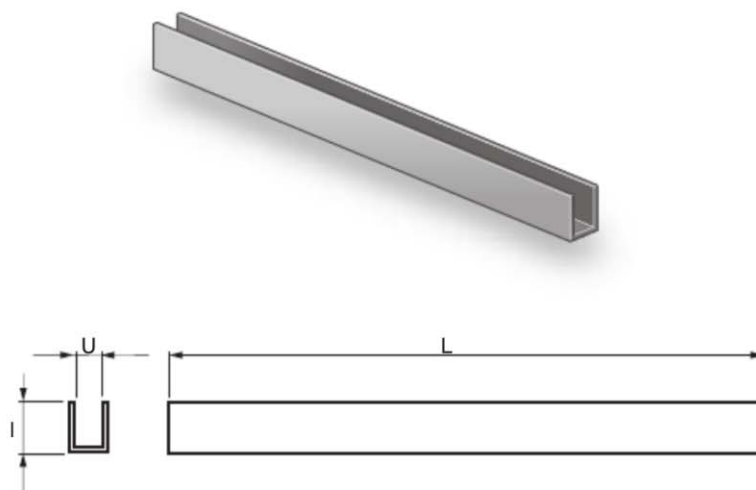
ALU 25 mm**TESTATE SENZA PERNO PER MONTANTI 2 CHIUSURE - *SIDEBORD HEADS WITHOUT PIN FOR 2 LOCKS PILLARS*****TESTATE LATERALI - LATERAL HEADS****TESTATE POSTERIORI - REAR HEADS**

H mm	H1 mm	MATERIALE MATERIAL	COD. (right/left)	Kg.	H mm	H1 mm	MATERIALE MATERIAL	COD. (right/left)	Kg.
995	468.5	ZINCATA - ZINC PLATED	131546.01DX	2.850	995	468.5	ZINCATA - ZINC PLATED	131547.01DX	2.850
			131546.01SX					131547.01SX	
		ACC. INOX - STAIN. STEEL	141546.00DX				ACC. INOX - STAIN. STEEL	141547.00DX	
			141546.00SX					141547.00SX	
1095	568.5	ZINCATA - ZINC PLATED	131548.01DX	3.100	1095	568.5	ZINCATA - ZINC PLATED	131549.01DX	3.100
			131548.01SX					131549.01SX	
		ACC. INOX - STAIN. STEEL	141548.00DX				ACC. INOX - STAIN. STEEL	141549.00DX	
			141548.00SX					141549.00SX	
1195	568.5	ZINCATA - ZINC PLATED	131550.01DX	3.350	1195	568.5	ZINCATA - ZINC PLATED	131551.01DX	3.350
			131550.01SX					131551.01SX	
		ACC. INOX - STAIN. STEEL	141550.00DX				ACC. INOX - STAIN. STEEL	141551.00DX	
			141550.00SX					141551.00SX	

DISPONIBILE SU RICHIESTA - AVAILABLE ON DEMAND

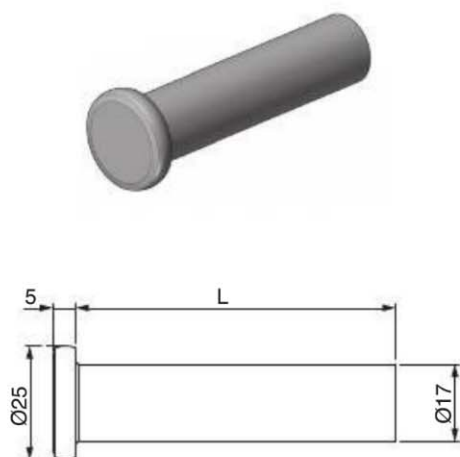
ALU 30 mm

H mm	MATERIALE MATERIAL	COD.	Kg.
400	ZINCATO - ZINC PLATED	133541.01	1.130
	ACC. INOX - STAIN. STEEL	140048.00	
500	ZINCATO - ZINC PLATED	133542.01	1.430
	ACC. INOX - STAIN. STEEL	140047.00	
600	ZINCATO - ZINC PLATED	133543.01	1.730
	ACC. INOX - STAIN. STEEL	140042.00	
700	ZINCATO - ZINC PLATED	133544.01	2.030
	ACC. INOX - STAIN. STEEL	140046.00	
800	ZINCATO - ZINC PLATED	133545.01	2.330
	ACC. INOX - STAIN. STEEL	140043.00	
900	ZINCATO - ZINC PLATED	133546.01	2.630
	ACC. INOX - STAIN. STEEL	140044.00	
1000	ZINCATO - ZINC PLATED	133547.01	2.930
	ACC. INOX - STAIN. STEEL	140045.00	

PROFILI A "U" ZINCATI/INOX - STEEL/STAINLESS STEEL U-PROFILE


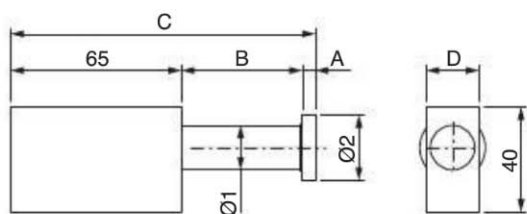
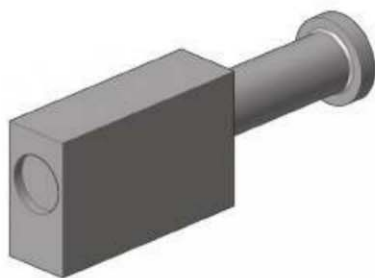
U mm	I mm	MATERIALE MATERIAL	L mm	COD.	Kg.
25	40	ZINCATO - ZINC PLATED	2500	136599.01	4.050
25	40	ZINCATO - ZINC PLATED	3000	136600.01	4.500
25	40	ACCIAIO INOX - STAINLESS STEEL	2500	140052.00	4.050
25	60	ACCIAIO INOX - STAINLESS STEEL	1200	146601.00	2.700
30	40	ZINCATO - ZINC PLATED	2500	050.483.00.00	4.250
30	60	ACCIAIO INOX - STAINLESS STEEL	2500	050.486.30.60	5.800

PERNI Ø17 STANDARD - STANDARD Ø17 PINS



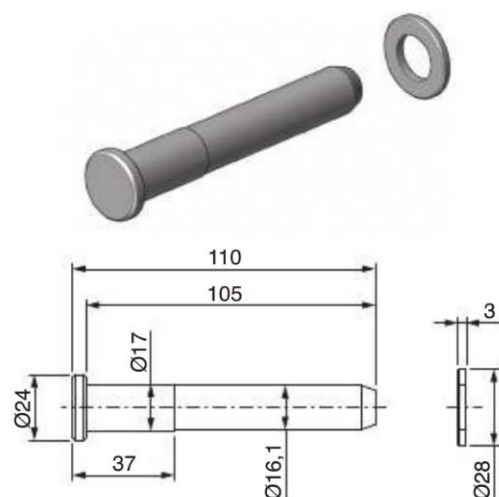
COD.	MATERIALE MATERIAL	L (mm)	Kg.
130020.00 050.344.00.00	ACCIAIO - STEEL	70	0.140
130075.00	ACCIAIO - STEEL	108	0.200
140003.00 050.735.00.00	ACC. INOX STAIN. STEEL	70	0.140

PERNI PER SPONDE - SIDEBOARDS PINS



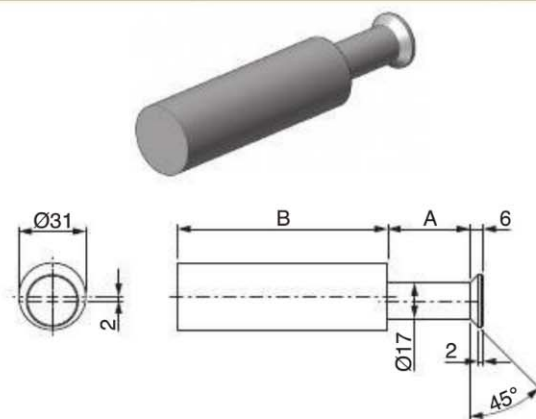
COD.	SP. SPONDA SIDEBOARD TH.	A	B	C	D	Ø1	Ø2	Kg.
130015.00	25	5	46	116	20	17	24	0.500
130016.00	30	5	46	116	25	17	24	0.600
130017.00	40	7	43	115	25	23	30	0.690

PERNI A DOPPIO DIAMETRO - DUAL DIAMETER PINS



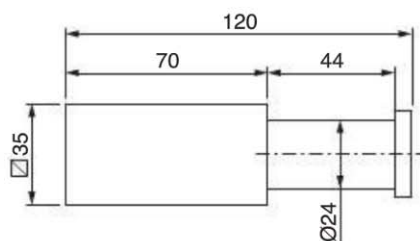
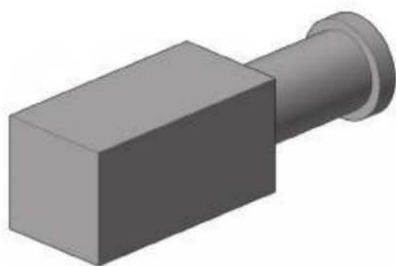
DESCRIZIONE DESCRIPTION	MATERIALE MATERIAL	COD.	Kg.
SOLO PERNO ONLY PIN	GREZZO RAW	130058.00 050.345.01.00	0.190
	ZINCATO ZINC-PLATED	130058.01 050.345.01.ZN	
	ACC. INOX STAIN. STEEL	142306.00 050.733.01.00	
PERNO + ROSETTA PIN + WASHER	GREZZO RAW	050.345.00.00	0.200
	ACC. INOX STAIN. STEEL	050.733.00.00	
SOLO ROSETTA ONLY WASHER	GREZZO RAW	050.345.02.00	0.010
	ACC. INOX STAIN. STEEL	050.733.02.00	

PERNI ZINCATI PER SPONDE TR5 - ZINC-PLATED PINS FOR TR5 SIDEBOARDS



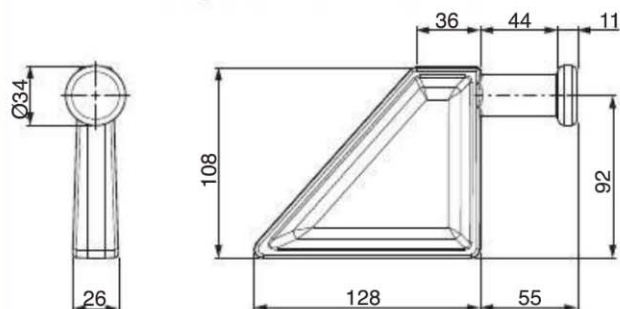
COD.	A (mm)	B (mm)	Kg.
130019.01	46	89	0.580
131921.01 050.348.00.00	38	97	0.610

PERNO PER SPONDE IN ACCIAIO SP.40/45 MM
PINFOR 40/45 MM STEEL SIDEBOARDS



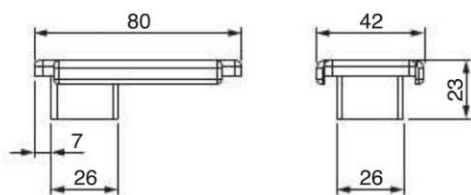
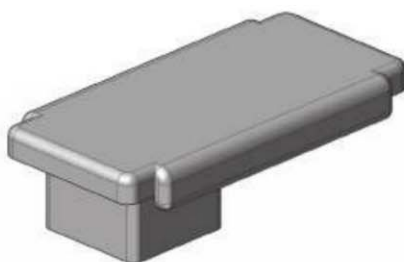
COD.	Kg.
050.347.00.00	0.870

PIANTONE Ø24
Ø24 COLUMN



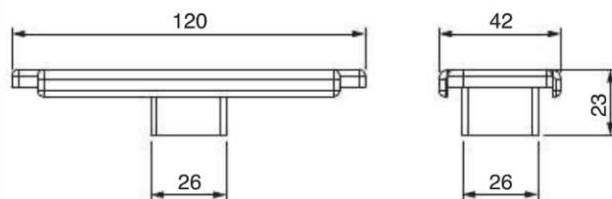
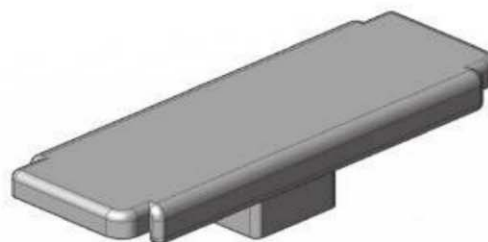
COD.	Kg.
020541.00 - 020.012.00.EC	1.100

TAPPO ANTERIORE PER MONTANTI RIBALTABILI
FRONT PILLAR CAP



COD.	Kg.
130001.00	0.020

TAPPO CENTRALE-POSTERIORE PER MONTANTI RIBALTABILI
MIDDLE-REAR PILLAR CAP

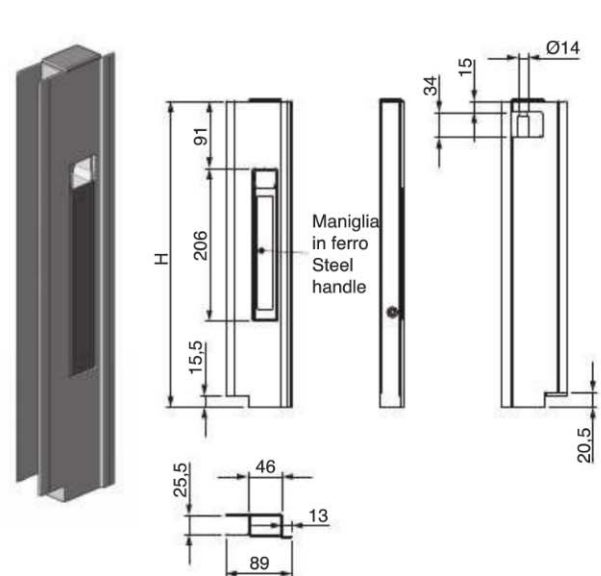
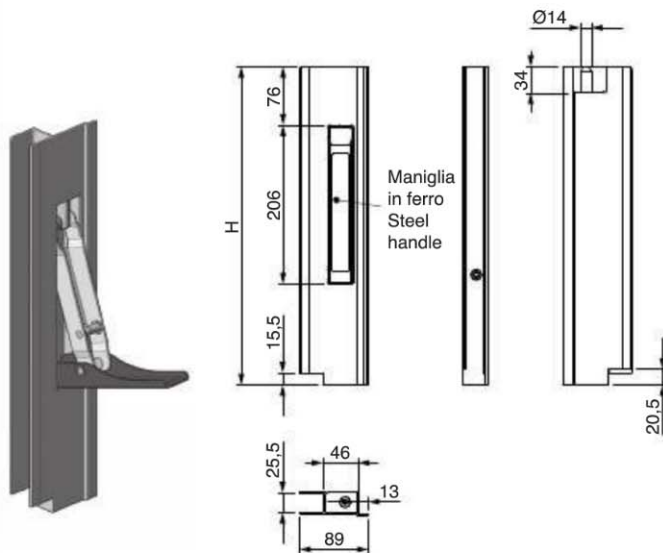




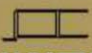
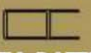

COD.	Kg.
130002.00	0.030

CHIUSURE ALLUMINIO TIPO "STEELCAR" - "STEELCAR" ALU-LOCKS

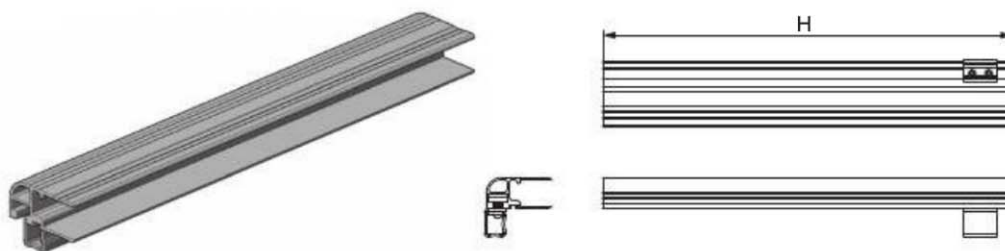
VERSIONE SX
LEFT VERSIONVERSIONE DX
RIGHT VERSION

STANDARD

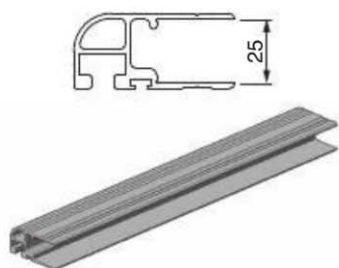
CON SICURA
WITH SAFETY DEVICERAPPRESENTATA VERSIONE DX, STANDARD, CON BATTUTA
SHOWN STANDARD RIGHT VERSION, WITH LIPRAPPRESENTATA VERSIONE DX, CON BATTUTA, CON SICURA
SHOWN RIGHT VERSION, WITH LIP, WITH SAFETY DEVICE

H mm	STANDARD 				CON SICURA WITH SAFETY DEVICE 				Kg.
	CON BATTUTA WITH LIP 		SENZA BATTUTA WITHOUT LIP 		CON BATTUTA WITH LIP 		SENZA BATTUTA WITHOUT LIP 		
	DX RIGHT	SX LEFT	DX RIGHT	SX LEFT	DX RIGHT	SX LEFT	DX RIGHT	SX LEFT	
313	136100.00ST	136101.00ST	136120.00ST	136121.00ST	136170.00STA	136171.00STA	136172.00STA	136173.00STA	0.56
363	136102.00ST	136103.00ST	136122.00ST	136123.00ST	136174.00STA	136175.00STA	136176.00STA	136177.00STA	0.60
413	136104.00ST	136105.00ST	136124.00ST	136125.00ST	136178.00STA	136179.00STA	136180.00STA	136181.00STA	0.65
513	136106.00ST	136107.00ST	136126.00ST	136127.00ST	136182.00STA	136183.00STA	136184.00STA	136185.00STA	0.76
613	136108.00ST	136109.00ST	136128.00ST	136129.00ST	136186.00STA	136187.00STA	136188.00STA	136189.00STA	0.86
813	136110.00ST	136111.00ST	136130.00ST	136131.00ST	136190.00STA	136191.00STA	136192.00STA	136193.00STA	1.06
1013	136112.00ST	136113.00ST	136132.00ST	136133.00ST	136194.00STA	136195.00STA	136196.00STA	136197.00STA	1.29

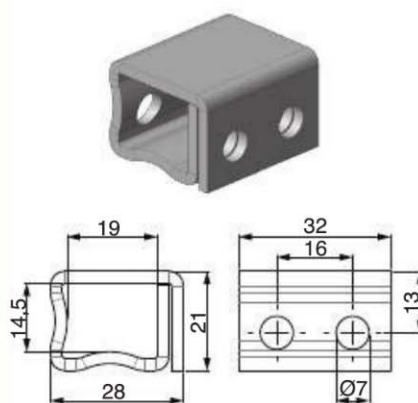
TESTATE POSTERIORI PER "STEELCAR" - "STEELCAR" ALU REAR HEADS



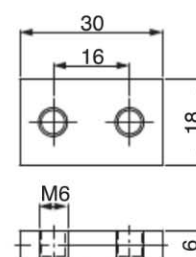
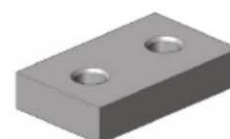
H mm	COD.	Kg.
300	133420.00	0.380
350	133421.00	0.430
400	133422.00	0.470
500	133423.00	0.560
600	133424.00	0.650
800	133425.00	0.820
1000	133426.00	0.990

PROFILO POSTERIORE IN ALLUMINIO
REAR ALU PROFILE

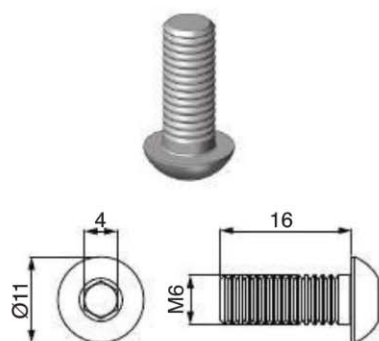
H mm	COD.	Kg.
300	133420.29	0.400
350	133421.29	0.450
400	133400.29	0.480
500	133401.29	0.610
600	133402.29	0.720
800	133404.29	0.950
1000	133406.29	1.200

TASCHETTA PER "STEELCAR" ZINCATA
"STEELCAR" ZINC-PLATED POCKET

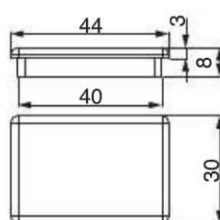
COD.	Kg.
136008.01	0.055

PIASTRINA PER "STEELCAR" ZINCATA
ZINC-PLATED BACKPLATE FOR "STEELCAR"

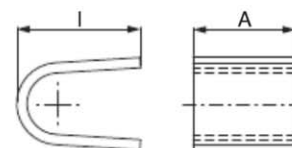
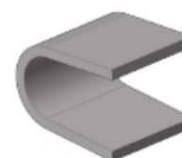
COD.	Kg.
136007.01	0.022

VITE UNI EN 7380 M6x16 ZINCATA
SCREW UNI EN 7380 M6x16 ZINC-PLATED

COD.	Kg.
133420.13.01	0.004

TAPPO SUP. PER CHIUSURE "STEELCAR"
"STEELCAR" ALU-LOCKS CAP

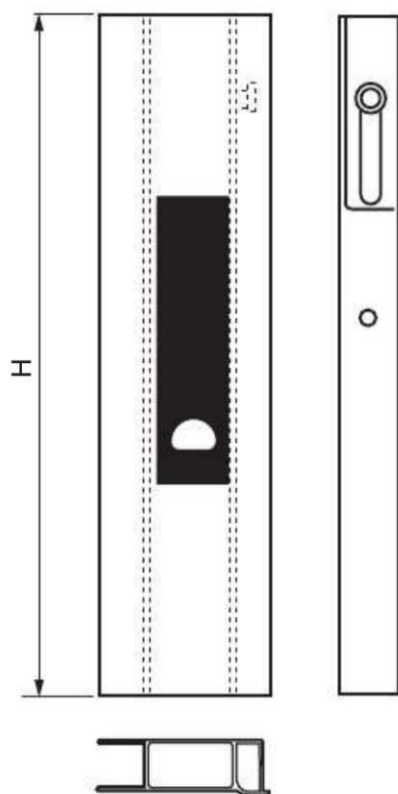
COD.	Kg.
136092.22	0.009

RISCONTRO A SALDARE
WELDING HOOK

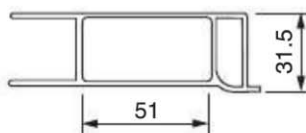
COD.	l (mm)	A (mm)	Kg.
130011.00	30	32	0.040
050.060.01.00	30	32	0.040
130065.00	30	25	0.049

CHIUSURE IN ALLUMINIO "MINI OPEN TOP" • "MINI OPEN TOP" ALU-LOCKS

H	Descrizione Description	COD.
411	MONTANTE ALLUMINIO ANTERIORE MINI OPEN TOP CON BATTUTA LEVA IN LAMIERA VERNICIATA CHIUSURA LATERALE FRONT ALUMINIUM MINI OPEN TOP PILLAR WITH LIP, PAINTED STEEL LEVER, SIDE CLOSING	055.711.DX.00 (RIGHT)
411	MONTANTE ALLUMINIO ANTERIORE MINI OPEN TOP CON BATTUTA LEVA IN LAMIERA VERNICIATA CHIUSURA LATERALE FRONT ALUMINIUM MINI OPEN TOP PILLAR WITH LIP, PAINTED STEEL LEVER, SIDE CLOSING	055.711.SX.00 (LEFT)
511	MONTANTE ALLUMINIO ANTERIORE MINI OPEN TOP CON BATTUTA LEVA IN LAMIERA VERNICIATA CHIUSURA LATERALE FRONT ALUMINIUM MINI OPEN TOP PILLAR WITH LIP, PAINTED STEEL LEVER, SIDE CLOSING	055.712.DX.00 (RIGHT)
511	MONTANTE ALLUMINIO ANTERIORE MINI OPEN TOP CON BATTUTA LEVA IN LAMIERA VERNICIATA CHIUSURA LATERALE FRONT ALUMINIUM MINI OPEN TOP PILLAR WITH LIP, PAINTED STEEL LEVER, SIDE CLOSING	055.712.SX.00 (LEFT)
611	MONTANTE ALLUMINIO ANTERIORE MINI OPEN TOP CON BATTUTA LEVA IN LAMIERA VERNICIATA CHIUSURA LATERALE FRONT ALUMINIUM MINI OPEN TOP PILLAR WITH LIP, PAINTED STEEL LEVER, SIDE CLOSING	055.713.DX.00 (RIGHT)
611	MONTANTE ALLUMINIO ANTERIORE MINI OPEN TOP CON BATTUTA LEVA IN LAMIERA VERNICIATA CHIUSURA LATERALE FRONT ALUMINIUM MINI OPEN TOP PILLAR WITH LIP, PAINTED STEEL LEVER, SIDE CLOSING	055.713.SX.00 (LEFT)
811	MONTANTE ALLUMINIO ANTERIORE MINI OPEN TOP CON BATTUTA LEVA IN LAMIERA VERNICIATA CHIUSURA LATERALE FRONT ALUMINIUM MINI OPEN TOP PILLAR WITH LIP, PAINTED STEEL LEVER, SIDE CLOSING	055.714.DX.00 (RIGHT)
811	MONTANTE ALLUMINIO ANTERIORE MINI OPEN TOP CON BATTUTA LEVA IN LAMIERA VERNICIATA CHIUSURA LATERALE FRONT ALUMINIUM MINI OPEN TOP PILLAR WITH LIP, PAINTED STEEL LEVER, SIDE CLOSING	055.714.SX.00 (LEFT)

RAPP. VERSIONE DX
SHOWN RIGHT VERSION

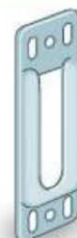
**Profilo doppia camera
con battuta**
Double chamber profile
with LIP

**Cod. 055.599.00.00**

RISCONTRO ZINCATO AD AVVITARE
LUNGO, FISSAGGIO CON VITI TSEI
ZINC-PLATED HIGH SLIP TO BE SCREWED,
FASTENED BY COUNTERSUNK HEX HEAD SCREWS

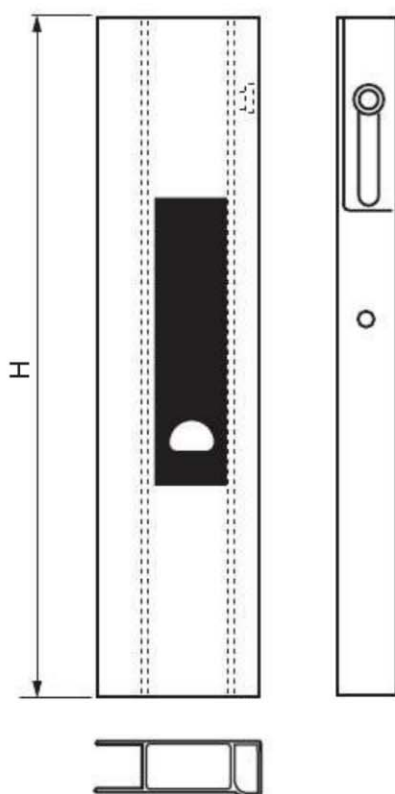
**Cod. 055.598.00.00**

RISCONTRO ZINCATO AD AVVITARE,
FISSAGGIO CON RIVETTI
ZINC-PLATED SLIP TO BE SCREWED,
FASTENED BY RIVETS

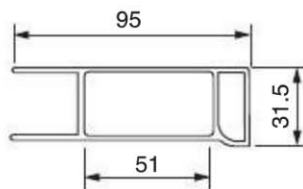


H	Descrizione Description	COD.
411	MONTANTE ALLUMINIO ANTERIORE MINI OPEN TOP SENZA BATTUTA LEVA IN LAMIERA VERNICIATA CHIUSURA LATERALE FRONT ALUMINIUM MINI OPEN TOP PILLAR WITHOUT LIP, PAINTED STEEL LEVER, SIDE CLOSING	055.701.DX.00 (RIGHT)
411	MONTANTE ALLUMINIO ANTERIORE MINI OPEN TOP SENZA BATTUTA LEVA IN LAMIERA VERNICIATA CHIUSURA LATERALE FRONT ALUMINIUM MINI OPEN TOP PILLAR WITHOUT LIP, PAINTED STEEL LEVER, SIDE CLOSING	055.701.SX.00 (LEFT)
511	MONTANTE ALLUMINIO ANTERIORE MINI OPEN TOP SENZA BATTUTA LEVA IN LAMIERA VERNICIATA CHIUSURA LATERALE FRONT ALUMINIUM MINI OPEN TOP PILLAR WITHOUT LIP, PAINTED STEEL LEVER, SIDE CLOSING	055.702.DX.00 (RIGHT)
511	MONTANTE ALLUMINIO ANTERIORE MINI OPEN TOP SENZA BATTUTA LEVA IN LAMIERA VERNICIATA CHIUSURA LATERALE FRONT ALUMINIUM MINI OPEN TOP PILLAR WITHOUT LIP, PAINTED STEEL LEVER, SIDE CLOSING	055.702.SX.00 (LEFT)
611	MONTANTE ALLUMINIO ANTERIORE MINI OPEN TOP SENZA BATTUTA LEVA IN LAMIERA VERNICIATA CHIUSURA LATERALE FRONT ALUMINIUM MINI OPEN TOP PILLAR WITHOUT LIP, PAINTED STEEL LEVER, SIDE CLOSING	055.703.DX.00 (RIGHT)
611	MONTANTE ALLUMINIO ANTERIORE MINI OPEN TOP SENZA BATTUTA LEVA IN LAMIERA VERNICIATA CHIUSURA LATERALE FRONT ALUMINIUM MINI OPEN TOP PILLAR WITHOUT LIP, PAINTED STEEL LEVER, SIDE CLOSING	055.703.SX.00 (LEFT)
811	MONTANTE ALLUMINIO ANTERIORE MINI OPEN TOP SENZA BATTUTA LEVA IN LAMIERA VERNICIATA CHIUSURA LATERALE FRONT ALUMINIUM MINI OPEN TOP PILLAR WITHOUT LIP, PAINTED STEEL LEVER, SIDE CLOSING	055.704.DX.00 (RIGHT)
811	MONTANTE ALLUMINIO ANTERIORE MINI OPEN TOP SENZA BATTUTA LEVA IN LAMIERA VERNICIATA CHIUSURA LATERALE FRONT ALUMINIUM MINI OPEN TOP PILLAR WITHOUT LIP, PAINTED STEEL LEVER, SIDE CLOSING	055.704.SX.00 (LEFT)

RAPP. VERSIONE DX
SHOWN RIGHT VERSION



**Profilo doppia camera
senza battuta**
Double chamber profile
without lip



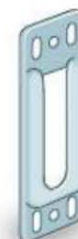
Cod. 055.599.00.00

RISCONTRO ZINCATO AD AVVITARE LUNGO,
FISSAGGIO CON VITI TSEI
ZINC-PLATED HIGH SLIP TO BE SCREWED,
FASTENED BY COUNTERSUNK HEX HEAD SCREWS



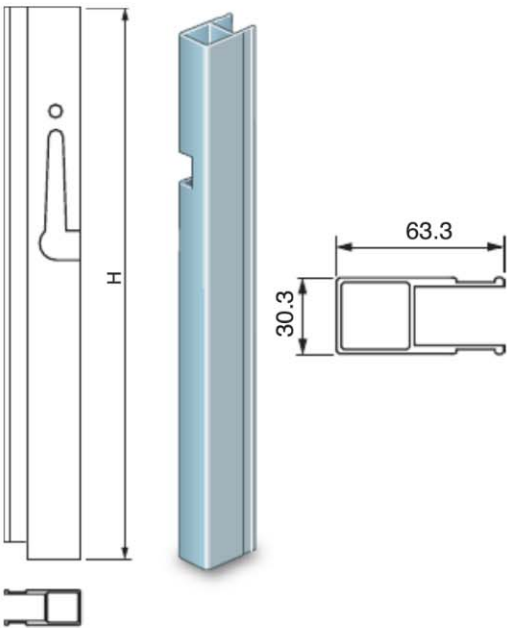
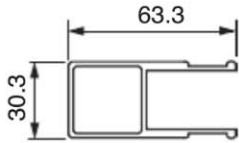
Cod. 055.598.00.00

RISCONTRO ZINCATO AD AVVITARE,
FISSAGGIO CON RIVETTI
ZINC-PLATED SLIP TO BE SCREWED,
FASTENED BY RIVETS



CHIUSURE IN ALLUMINIO "MINI OPEN TOP" • "MINI OPEN TOP" ALU-LOCKS

H	Descrizione Description	COD.	
411	MONTANTE ALLUMINIO POSTERIORE MINI OPEN TOP CON BATTUTA LEVA IN LAMIERA VERNICIATA CHIUSURA LATERALE REAR ALUMINIUM MINI OPEN TOP PILLAR WITH LIP, PAINTED STEEL LEVER, SIDE CLOSING	055.731.DX.00 (RIGHT)	<p>RAPP. VERSIONE DX SHOWN RIGHT VERSION</p>  <p>Profilo con battuta Profile with lip</p> 
411	MONTANTE ALLUMINIO POSTERIORE MINI OPEN TOP CON BATTUTA LEVA IN LAMIERA VERNICIATA CHIUSURA LATERALE REAR ALUMINIUM MINI OPEN TOP PILLAR WITH LIP, PAINTED STEEL LEVER, SIDE CLOSING	055.731.SX.00 (LEFT)	
511	MONTANTE ALLUMINIO POSTERIORE MINI OPEN TOP CON BATTUTA LEVA IN LAMIERA VERNICIATA CHIUSURA LATERALE REAR ALUMINIUM MINI OPEN TOP PILLAR WITH LIP, PAINTED STEEL LEVER, SIDE CLOSING	055.732.DX.00 (RIGHT)	
511	MONTANTE ALLUMINIO POSTERIORE MINI OPEN TOP CON BATTUTA LEVA IN LAMIERA VERNICIATA CHIUSURA LATERALE REAR ALUMINIUM MINI OPEN TOP PILLAR WITH LIP, PAINTED STEEL LEVER, SIDE CLOSING	055.732.SX.00 (LEFT)	
611	MONTANTE ALLUMINIO POSTERIORE MINI OPEN TOP CON BATTUTA LEVA IN LAMIERA VERNICIATA CHIUSURA LATERALE REAR ALUMINIUM MINI OPEN TOP PILLAR WITH LIP, PAINTED STEEL LEVER, SIDE CLOSING	055.733.DX.00 (RIGHT)	
611	MONTANTE ALLUMINIO POSTERIORE MINI OPEN TOP CON BATTUTA LEVA IN LAMIERA VERNICIATA CHIUSURA LATERALE REAR ALUMINIUM MINI OPEN TOP PILLAR WITH LIP, PAINTED STEEL LEVER, SIDE CLOSING	055.733.SX.00 (LEFT)	
811	MONTANTE ALLUMINIO POSTERIORE MINI OPEN TOP CON BATTUTA LEVA IN LAMIERA VERNICIATA CHIUSURA LATERALE REAR ALUMINIUM MINI OPEN TOP PILLAR WITH LIP, PAINTED STEEL LEVER, SIDE CLOSING	055.734.DX.00 (RIGHT)	
811	MONTANTE ALLUMINIO POSTERIORE MINI OPEN TOP CON BATTUTA LEVA IN LAMIERA VERNICIATA CHIUSURA LATERALE REAR ALUMINIUM MINI OPEN TOP PILLAR WITH LIP, PAINTED STEEL LEVER, SIDE CLOSING	055.734.SX.00 (LEFT)	

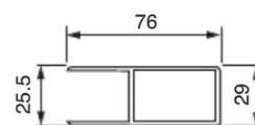
H	Descrizione Description	COD.	
411	RISCONTRO POSTERIORE MONTANTE CHIUSURA LATERALE PER MINI OPEN TOP ALLUMINIO SIDE CLOSING REAR SLIP FOR MINI OPEN TOP ALUMINIUM PILLAR	055.741.DX.00 (RIGHT)	<p>RAPP. VERSIONE DX SHOWN RIGHT VERSION</p>  <p>Profilo con battuta Profile with lip</p> 
411	RISCONTRO POSTERIORE MONTANTE CHIUSURA LATERALE PER MINI OPEN TOP ALLUMINIO SIDE CLOSING REAR SLIP FOR MINI OPEN TOP ALUMINIUM PILLAR	055.741.SX.00 (LEFT)	
511	RISCONTRO POSTERIORE MONTANTE CHIUSURA LATERALE PER MINI OPEN TOP ALLUMINIO SIDE CLOSING REAR SLIP FOR MINI OPEN TOP ALUMINIUM PILLAR	055.742.DX.00 (RIGHT)	
511	RISCONTRO POSTERIORE MONTANTE CHIUSURA LATERALE PER MINI OPEN TOP ALLUMINIO SIDE CLOSING REAR SLIP FOR MINI OPEN TOP ALUMINIUM PILLAR	055.742.SX.00 (LEFT)	
611	RISCONTRO POSTERIORE MONTANTE CHIUSURA LATERALE PER MINI OPEN TOP ALLUMINIO SIDE CLOSING REAR SLIP FOR MINI OPEN TOP ALUMINIUM PILLAR	055.743.DX.00 (RIGHT)	
611	RISCONTRO POSTERIORE MONTANTE CHIUSURA LATERALE PER MINI OPEN TOP ALLUMINIO SIDE CLOSING REAR SLIP FOR MINI OPEN TOP ALUMINIUM PILLAR	055.743.SX.00 (LEFT)	
811	RISCONTRO POSTERIORE MONTANTE CHIUSURA LATERALE PER MINI OPEN TOP ALLUMINIO SIDE CLOSING REAR SLIP FOR MINI OPEN TOP ALUMINIUM PILLAR	055.744.DX.00 (RIGHT)	
811	RISCONTRO POSTERIORE MONTANTE CHIUSURA LATERALE PER MINI OPEN TOP ALLUMINIO SIDE CLOSING REAR SLIP FOR MINI OPEN TOP ALUMINIUM PILLAR	055.744.SX.00 (LEFT)	

H	Descrizione Description	COD.
411	MONTANTE ALLUMINIO POSTERIORE MINI OPEN TOP SENZA BATTUTA LEVA IN LAMIERA VERNICIATA CHIUSURA LATERALE REAR ALUMINIUM MINI OPEN TOP PILLAR WITHOUT LIP, PAINTED STEEL LEVER, SIDE CLOSING	055.721.DX.00 (RIGHT)
411	MONTANTE ALLUMINIO POSTERIORE MINI OPEN TOP SENZA BATTUTA LEVA IN LAMIERA VERNICIATA CHIUSURA LATERALE REAR ALUMINIUM MINI OPEN TOP PILLAR WITHOUT LIP, PAINTED STEEL LEVER, SIDE CLOSING	055.721.SX.00 (LEFT)
511	MONTANTE ALLUMINIO POSTERIORE MINI OPEN TOP SENZA BATTUTA LEVA IN LAMIERA VERNICIATA CHIUSURA LATERALE REAR ALUMINIUM MINI OPEN TOP PILLAR WITHOUT LIP, PAINTED STEEL LEVER, SIDE CLOSING	055.722.DX.00 (RIGHT)
511	MONTANTE ALLUMINIO POSTERIORE MINI OPEN TOP SENZA BATTUTA LEVA IN LAMIERA VERNICIATA CHIUSURA LATERALE REAR ALUMINIUM MINI OPEN TOP PILLAR WITHOUT LIP, PAINTED STEEL LEVER, SIDE CLOSING	055.722.SX.00 (LEFT)
611	MONTANTE ALLUMINIO POSTERIORE MINI OPEN TOP SENZA BATTUTA LEVA IN LAMIERA VERNICIATA CHIUSURA LATERALE REAR ALUMINIUM MINI OPEN TOP PILLAR WITHOUT LIP, PAINTED STEEL LEVER, SIDE CLOSING	055.723.DX.00 (RIGHT)
611	MONTANTE ALLUMINIO POSTERIORE MINI OPEN TOP SENZA BATTUTA LEVA IN LAMIERA VERNICIATA CHIUSURA LATERALE REAR ALUMINIUM MINI OPEN TOP PILLAR WITHOUT LIP, PAINTED STEEL LEVER, SIDE CLOSING	055.723.SX.00 (LEFT)
811	MONTANTE ALLUMINIO POSTERIORE MINI OPEN TOP SENZA BATTUTA LEVA IN LAMIERA VERNICIATA CHIUSURA LATERALE REAR ALUMINIUM MINI OPEN TOP PILLAR WITHOUT LIP, PAINTED STEEL LEVER, SIDE CLOSING	055.724.DX.00 (RIGHT)
811	MONTANTE ALLUMINIO POSTERIORE MINI OPEN TOP SENZA BATTUTA LEVA IN LAMIERA VERNICIATA CHIUSURA LATERALE REAR ALUMINIUM MINI OPEN TOP PILLAR WITHOUT LIP, PAINTED STEEL LEVER, SIDE CLOSING	055.724.SX.00 (LEFT)

RAPP. VERSIONE DX
SHOWN RIGHT VERSION

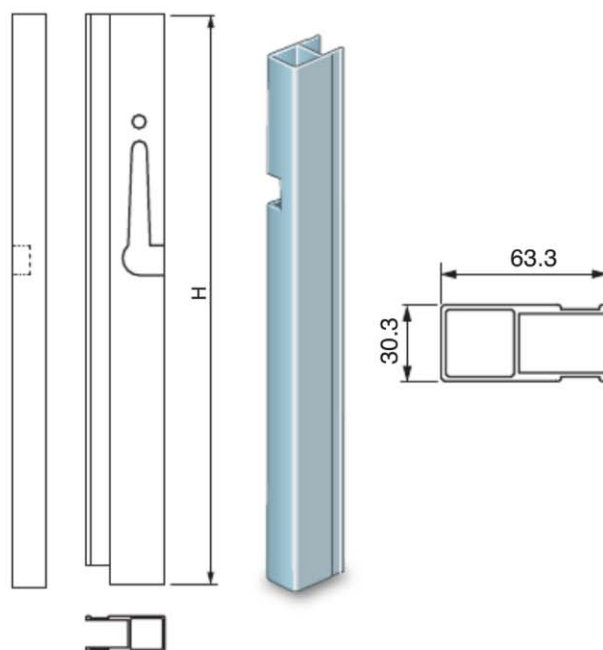


Profilo senza battuta
Profile without lip



H	Descrizione Description	COD.
411	RISCONTRO POSTERIORE MONTANTE CHIUSURA LATERALE PER MINI OPEN TOP ALLUMINIO SIDE CLOSING REAR SLIP FOR MINI OPEN TOP ALUMINIUM PILLAR	055.741.DX.00 (RIGHT)
411	RISCONTRO POSTERIORE MONTANTE CHIUSURA LATERALE PER MINI OPEN TOP ALLUMINIO SIDE CLOSING REAR SLIP FOR MINI OPEN TOP ALUMINIUM PILLAR	055.741.SX.00 (LEFT)
511	RISCONTRO POSTERIORE MONTANTE CHIUSURA LATERALE PER MINI OPEN TOP ALLUMINIO SIDE CLOSING REAR SLIP FOR MINI OPEN TOP ALUMINIUM PILLAR	055.742.DX.00 (RIGHT)
511	RISCONTRO POSTERIORE MONTANTE CHIUSURA LATERALE PER MINI OPEN TOP ALLUMINIO SIDE CLOSING REAR SLIP FOR MINI OPEN TOP ALUMINIUM PILLAR	055.742.SX.00 (LEFT)
611	RISCONTRO POSTERIORE MONTANTE CHIUSURA LATERALE PER MINI OPEN TOP ALLUMINIO SIDE CLOSING REAR SLIP FOR MINI OPEN TOP ALUMINIUM PILLAR	055.743.DX.00 (RIGHT)
611	RISCONTRO POSTERIORE MONTANTE CHIUSURA LATERALE PER MINI OPEN TOP ALLUMINIO SIDE CLOSING REAR SLIP FOR MINI OPEN TOP ALUMINIUM PILLAR	055.743.SX.00 (LEFT)
811	RISCONTRO POSTERIORE MONTANTE CHIUSURA LATERALE PER MINI OPEN TOP ALLUMINIO SIDE CLOSING REAR SLIP FOR MINI OPEN TOP ALUMINIUM PILLAR	055.744.DX.00 (RIGHT)
811	RISCONTRO POSTERIORE MONTANTE CHIUSURA LATERALE PER MINI OPEN TOP ALLUMINIO SIDE CLOSING REAR SLIP FOR MINI OPEN TOP ALUMINIUM PILLAR	055.744.SX.00 (LEFT)

RAPP. VERSIONE DX
SHOWN RIGHT VERSION

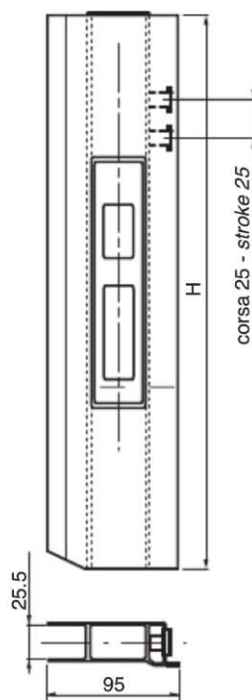


MONTANTI PER SPONDA SPESSORE 25
PILLARS FOR STEEL SIDEBOARDS THICKNESS 25

H	Descrizione Description	COD.
305	MONT. ANT. AL DX CH/LAT CON BATTUTA MECC. NYLON	055.884.DX.00 (right)
305	MONT. ANT. AL SX CH/LAT CON BATTUTA MECC. NYLON	055.884.SX.00
405	MONT. ANT. AL DX CH/LAT CON BATTUTA MECC. NYLON	055.876.DX.00 (right)
405	MONT. ANT. AL SX CH/LAT CON BATTUTA MECC. NYLON	055.876.SX.00
605	MONT. ANT. AL DX CH/LAT CON BATTUTA MECC. NYLON	055.878.DX.00 (right)
605	MONT. ANT. AL SX CH/LAT CON BATTUTA MECC. NYLON	055.878.SX.00
805	MONT. ANT. AL DX CH/LAT CON BATTUTA MECC. NYLON	055.880.DX.00 (right)
805	MONT. ANT. AL SX CH/LAT CON BATTUTA MECC. NYLON	055.880.SX.00

MONTANTE ANT. CH/LATERALE CON BATTUTA
 FRONT PILLAR SIDE CLAMP WITH LIP

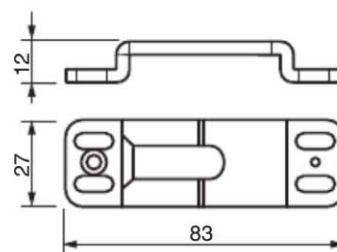
RAPP. VERSIONE DX
 SHOWN RIGHT VERSION



Profilo con battuta
Profile with lip

Cod. 055.845.00.00

RISCONTRO PER MONTANTE ANTERIORE
 IN ACCIAIO ZINCATO
 ZINC-PLATED SLIP FOR FRONT PILLAR

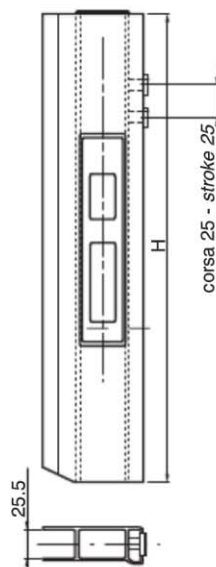


MONTANTI PER SPONDA SPESSORE 25
PILLARS FOR STEEL SIDEBOARDS THICKNESS 25

H	Descrizione Description	COD.
305	MONT. ANT. AL DX CH/LAT SENZA BATTUTA MECC. NYLON	055.885.DX.00 (right)
305	MONT. ANT. AL SX CH/LAT SENZA BATTUTA MECC. NYLON	055.885.SX.00
405	MONT. ANT. AL DX CH/LAT SENZA BATTUTA MECC. NYLON	055.877.DX.00 (right)
405	MONT. ANT. AL SX CH/LAT SENZA BATTUTA MECC. NYLON	055.877.SX.00
605	MONT. ANT. AL DX CH/LAT SENZA BATTUTA MECC. NYLON	055.879.DX.00 (right)
605	MONT. ANT. AL SX CH/LAT SENZA BATTUTA MECC. NYLON	055.879.SX.00
805	MONT. ANT. AL DX CH/LAT SENZA BATTUTA MECC. NYLON	055.881.DX.00 (right)
805	MONT. ANT. AL SX CH/LAT SENZA BATTUTA MECC. NYLON	055.881.SX.00

MONTANTE ANT. CH/LATERALE SENZA BATTUTA
 FRONT PILLAR SIDE CLAMP WITHOUT LIP

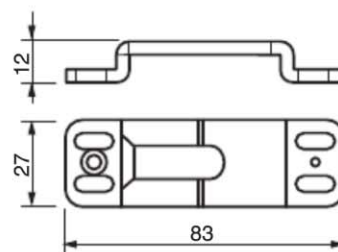
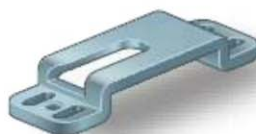
RAPP. VERSIONE DX
 SHOWN RIGHT VERSION



Profilo senza battuta
Profile without lip

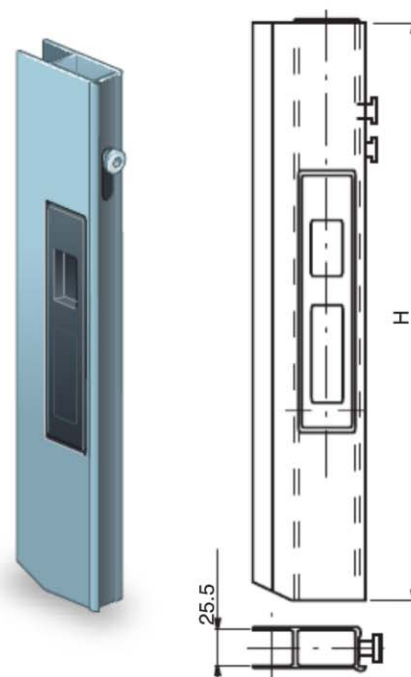
Cod. 055.845.00.00

RISCONTRO PER MONTANTE ANTERIORE
 IN ACCIAIO ZINCATO
 ZINC-PLATED SLIP FOR FRONT PILLAR

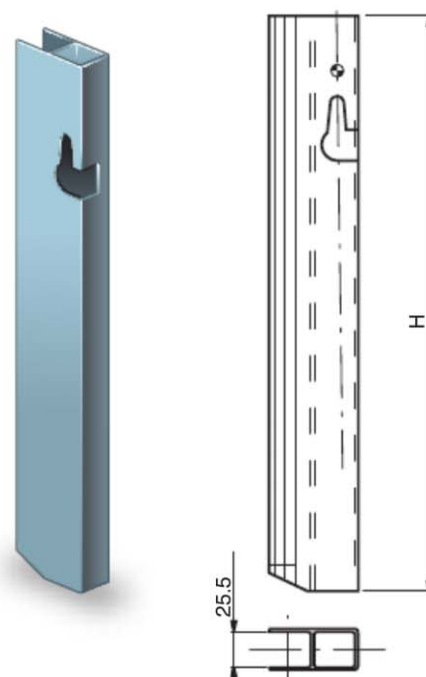


MONTANTI PER SPONDA SPESSORE 25
PILLARS FOR STEEL SIDEBOARDS THICKNESS 25

H	Descrizione Description	COD.
305	MONT. POST. AL DX CH/LAT B/CORTA MECC. NYLON	055.868.DX.00 (RIGHT)
305	MONT. POST. AL SX CH/LAT B/CORTA MECC. NYLON	055.868.SX.00
405	MONT. POST. AL DX CH/LAT B/CORTA MECC. NYLON	055.870.DX.00 (RIGHT)
405	MONT. POST. AL SX CH/LAT B/CORTA MECC. NYLON	055.870.SX.00
605	MONT. POST. AL DX CH/LAT B/CORTA MECC. NYLON	055.872.DX.00 (RIGHT)
605	MONT. POST. AL SX CH/LAT B/CORTA MECC. NYLON	055.872.SX.00
805	MONT. POST. AL DX CH/LAT B/CORTA MECC. NYLON	55.874.DX.00 (RIGHT)
805	MONT. POST. AL SX CH/LAT B/CORTA MECC. NYLON	55.874.SX.00

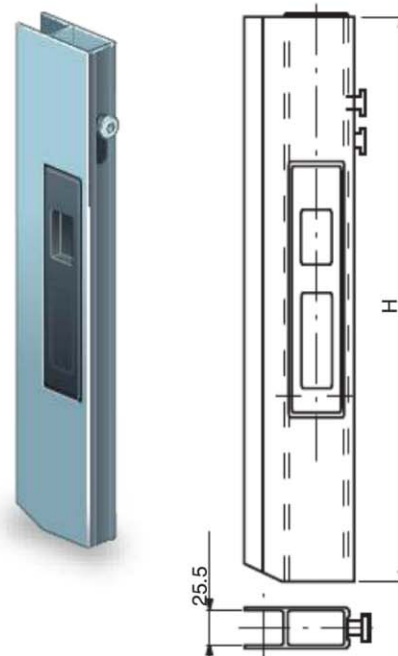
RAPP. VERSIONE DX
 SHOWN RIGHT VERSION

RISCONTRO PER SPONDA SPESSORE 25
SLIP FOR STEEL SIDEBOARDS THICKNESS 25

H	Descrizione Description	COD.
305	RISC. POST. DX MONT. CH/LATERALE ALLUMINIO	055.836.DX.00 (RIGHT)
305	RISC. POST. SX MONT. CH/LATERALE ALLUMINIO	055.836.SX.00
405	RISC. POST. DX MONT. CH/LATERALE ALLUMINIO	055.840.DX.00 (RIGHT)
405	RISC. POST. SX MONT. CH/LATERALE ALLUMINIO	055.840.SX.00
605	RISC. POST. DX MONT. CH/LATERALE ALLUMINIO	055.842.DX.00 (RIGHT)
605	RISC. POST. SX MONT. CH/LATERALE ALLUMINIO	055.842.SX.00
805	RISC. POST. DX MONT. CH/LATERALE ALLUMINIO	055.844.DX.00 (RIGHT)
805	RISC. POST. SX MONT. CH/LATERALE ALLUMINIO	055.844.SX.00

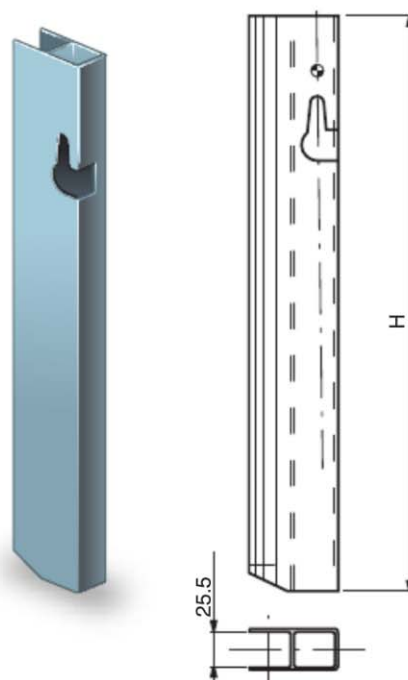
RAPP. VERSIONE DX
 SHOWN RIGHT VERSION


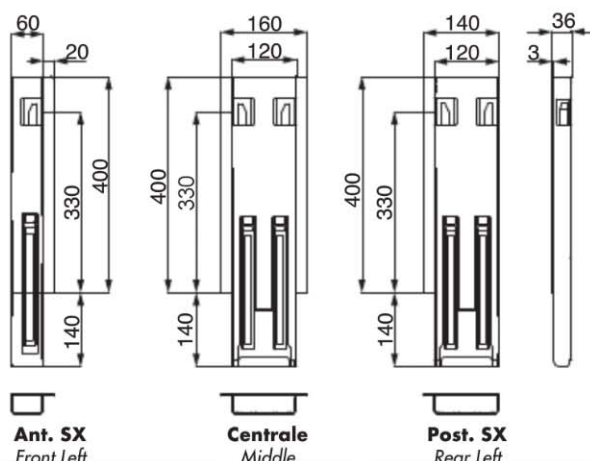
MONTANTI PER SPONDA SPESSORE 25
PILLARS FOR STEEL SIDEBOARDS THICKNESS 25

H	Descrizione Description	COD.
305	MONT. POST. AL DX CH/LAT S/BATT MECC. NYLON	055.869.DX.00 (RIGHT)
305	MONT. POST. AL DX CH/LAT S/BATT MECC. NYLON	055.869.SX.00
405	MONT. POST. AL DX CH/LAT S/BATT MECC. NYLON	055.871.DX.00 (RIGHT)
405	MONT. POST. AL DX CH/LAT S/BATT MECC. NYLON	055.871.SX.00
605	MONT. POST. AL DX CH/LAT S/BATT MECC. NYLON	055.873.DX.00 (RIGHT)
605	MONT. POST. AL DX CH/LAT S/BATT MECC. NYLON	055.873.SX.00
805	MONT. POST. AL DX CH/LAT S/BATT MECC. NYLON	55.875.DX.00 (RIGHT)
805	MONT. POST. AL DX CH/LAT S/BATT MECC. NYLON	55.875.SX.00

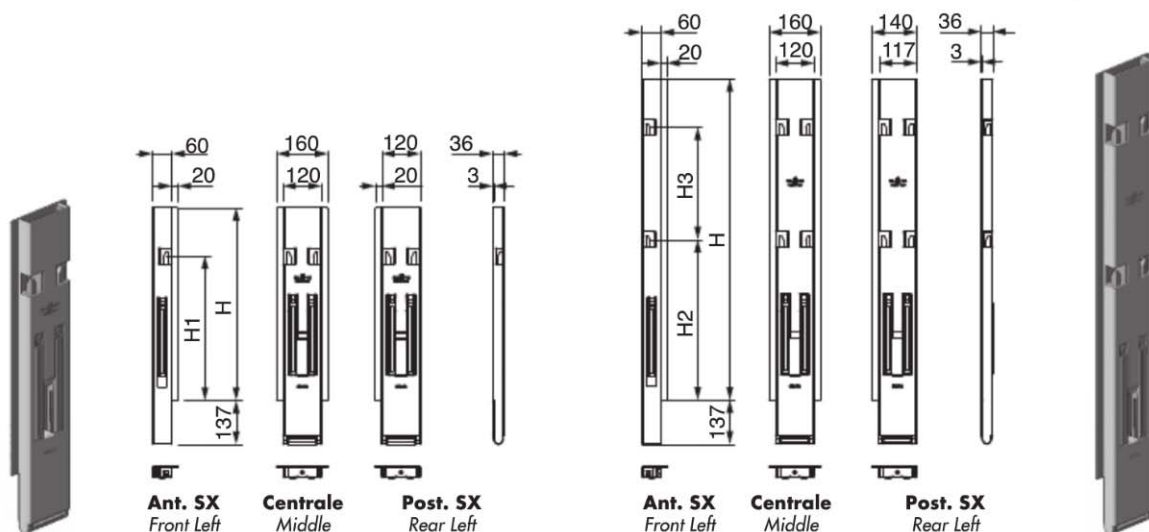
RAPP. VERSIONE DX
 SHOWN RIGHT VERSION

RISCONTRO PER SPONDA SPESSORE 25
SLIP FOR STEEL SIDEBOARDS THICKNESS 25

H	Descrizione Description	COD.
305	RISC. POST. DX MONT. CH/LATERALE ALLUMINIO	055.836.DX.00 (RIGHT)
305	RISC. POST. SX MONT. CH/LATERALE ALLUMINIO	055.836.SX.00
405	RISC. POST. DX MONT. CH/LATERALE ALLUMINIO	055.840.DX.00 (RIGHT)
405	RISC. POST. SX MONT. CH/LATERALE ALLUMINIO	055.840.SX.00
605	RISC. POST. DX MONT. CH/LATERALE ALLUMINIO	055.842.DX.00 (RIGHT)
605	RISC. POST. SX MONT. CH/LATERALE ALLUMINIO	055.842.SX.00
805	RISC. POST. DX MONT. CH/LATERALE ALLUMINIO	055.844.DX.00 (RIGHT)
805	RISC. POST. SX MONT. CH/LATERALE ALLUMINIO	055.844.SX.00

RAPP. VERSIONE DX
 SHOWN RIGHT VERSION


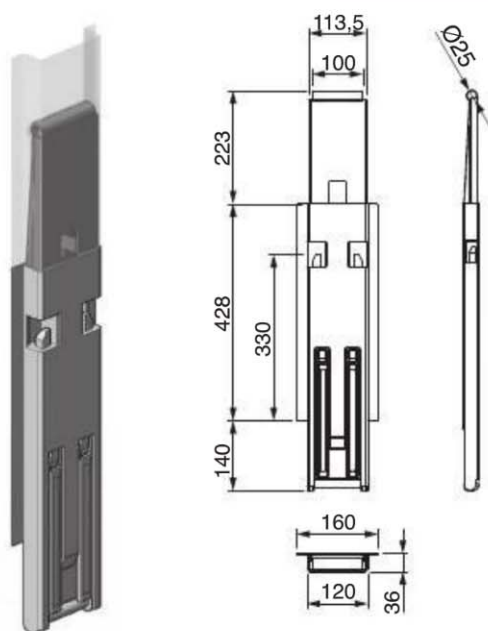
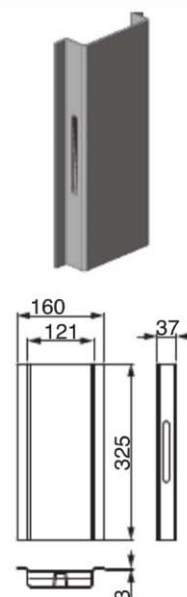
S.36 ALU 25mm**H 400 mm**

ANTERIORE FRONT (right/left)	ANTERIORE ROVESCIBILE FRONT DEMONT. (right/left)	CENTRALE MIDDLE	POSTERIORE REAR (right/left)	TRATTAMENTO TREATMENT
190802.20DX	190800.20DX	190803.20	190804.20DX	FORESI KTL
190802.20SX	190800.20SX		190804.20SX	

S.36 ALU 25mm**H 500 > 1000 mm**

H	H1	H2	H3	MATERIALE MATERIAL	ANTERIORE FRONT (right/left)	ANTERIORE ROVESCIBILE FRONT DEMONT. (right/left)	CENTRALE MIDDLE	POSTERIORE REAR (right/left)	TRATTAMENTO TREATMENT
500	450	/	/	ACCIAO STEEL	190807.20DX	190805.20DX	190808.20	190809.20DX	FORESI/KTL
					190807.20SX	190805.20SX		190809.20SX	
				ACC. INOX STAIN. STEEL	210807.00DX	/	210808.00	210809.00DX	-
				210807.00SX				210809.00SX	
600	450	/	/	ACCIAO STEEL	190812.20DX	190810.20DX	190813.20	190814.20DX	FORESI/KTL
					190812.20SX	190810.20SX		190814.20SX	
				ACC. INOX STAIN. STEEL	210812.00DX	/	210813.00	210814.00DX	-
				210812.00SX				210814.00SX	
800	620	/	/	ACCIAO STEEL	190817.20DX	190815.20DX	190818.20	190819.20DX	FORESI/KTL
					190817.20SX	190815.20SX		190819.20SX	
				ACC. INOX STAIN. STEEL	210817.00DX	/	210818.00	210819.00DX	-
				210817.00SX				210819.00SX	
1000	/	500	350	ACCIAO STEEL	190822.20DX	190820.20DX	190823.20	190824.20DX	FORESI/KTL
					190822.20SX	190820.20SX		190824.20SX	
				ACC. INOX STAIN. STEEL	210822.00DX	/	210823.00	210824.00DX	-
				210822.00SX				210824.00SX	
				210822.00SX				210824.00SX	

DISPONIBILE VERSIONE INOX FIORETTATO / ANTI-REFLEX STAINLESS STEEL VERSION AVAILABLE

S.36 ALU 25mm**H 400/500 mm**SEDE "TOP"
"TOP" SOCKET

COD.

Kg.

191205.00

1.240

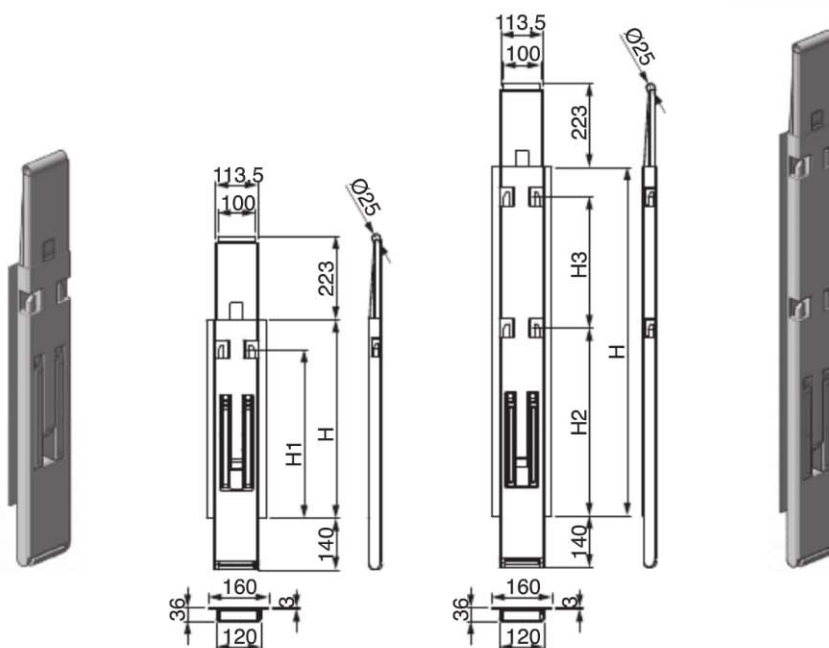
Ordinare solo come ricambio - To order as spare only

COD
191204.20ECTRATTAMENTO
TREATMENT

FORESI - KTL

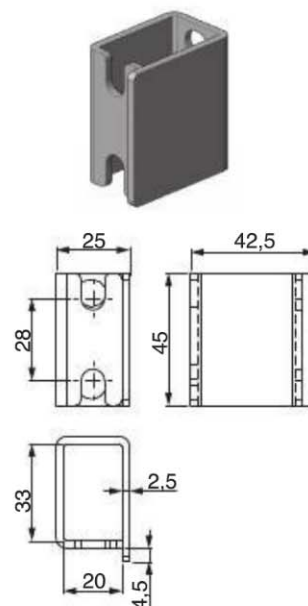
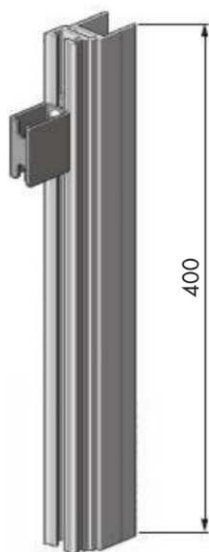
Kg.

11.200

S.36 ALU 25mm**H 500 > 1000 mm**

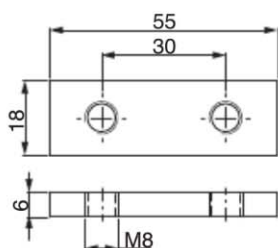
H sponda (mm) Sideboard H (mm)	H	H1	H2	H3	MATERIALE MATERIAL	COD.	TRATTAMENTO TREATMENT
500/600	530	450	/	/	ACCIAIO - STEEL	191207.20EC	FORESI/KTL
					ACC. INOX - STAIN. STEEL	211207.00EC	-
800	730	620	/	/	ACCIAIO - STEEL	191208.20EC	FORESI/KTL
					ACC. INOX - STAIN. STEEL	211208.00EC	-
1000	930	/	500	350	ACCIAIO - STEEL	191209.20EC	FORESI/KTL
					ACC. INOX - STAIN. STEEL	211209.00EC	-

DISPONIBILE VERSIONE INOX FIORETTATO / ANTI-REFLEX STAINLESS STEEL VERSION AVAILABLE

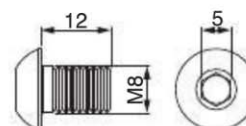
S.36 ALU 25mm**H 400 mm****LATERALE / LATERAL**

COD.	DESCRIZIONE DESCRIPTION	Kg.
193360.00	TESTATA LATERALE LATERAL HEAD	0.680
193360.29	SOLO PROFILO IN ALLUMINIO ONLY ALU PROFILE	0.520

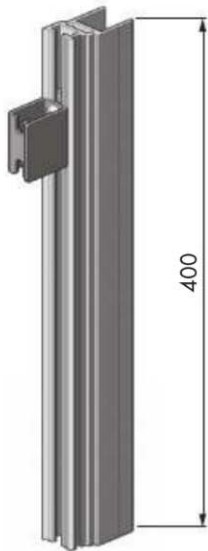
COD.	MATERIALE MATERIAL	Kg.
190038.01	TACCHETTA ZINCATA ZINC-PLATED POCKET	0.090
210038.00	ACC. INOX STAINLESS STEEL	0.090

PIASTRINA ZINCATA INTERASSE 30mm
ZINC-PLATED BACKPLATE WHEELBASE 30mm

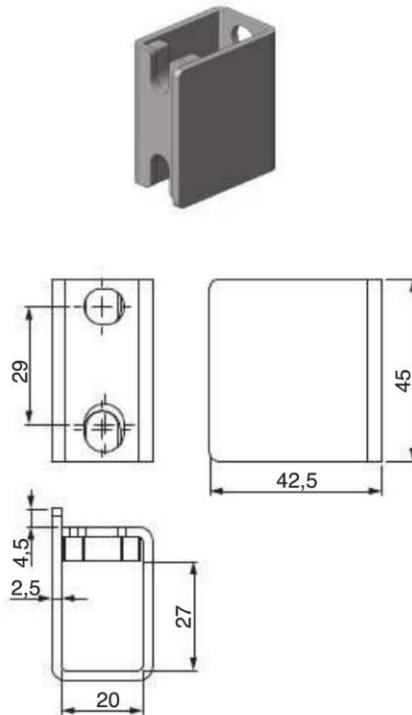
COD.	Kg.
080512.01	0.040

VITE UNI EN 7380 M8x12 ZINCATA
SCREW UNI EN 7380 M8x12 ZINC-PLATED

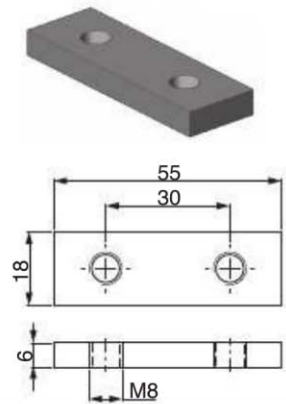
COD.	Kg.
020947.01	0.004

S.36 ALU 25mm**H 400 mm****POSTERIORE / REAR**

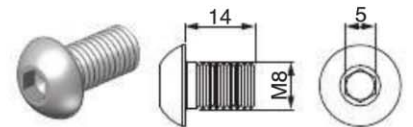
COD.	DESCRIZIONE DESCRIPTION	Kg.
193380.00	TESTATA LATERALE LATERAL HEAD	0.680
193400.29	SOLO PROFILO IN ALLUMINIO ONLY ALU PROFILE	0.520



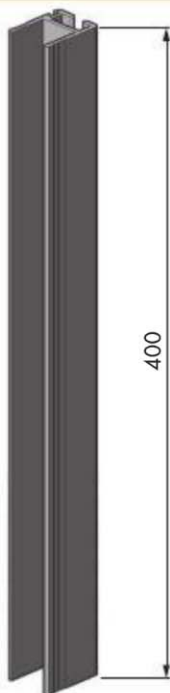
COD.	MATERIALE MATERIAL	Kg.
190045.01	TACCHETTA ZINCATA ZINC-PLATED POCKET	0.120

PIASTRINA ZINCATA INTERASSE 30mm
ZINC-PLATED BACKPLATE WHEELBASE 30mm

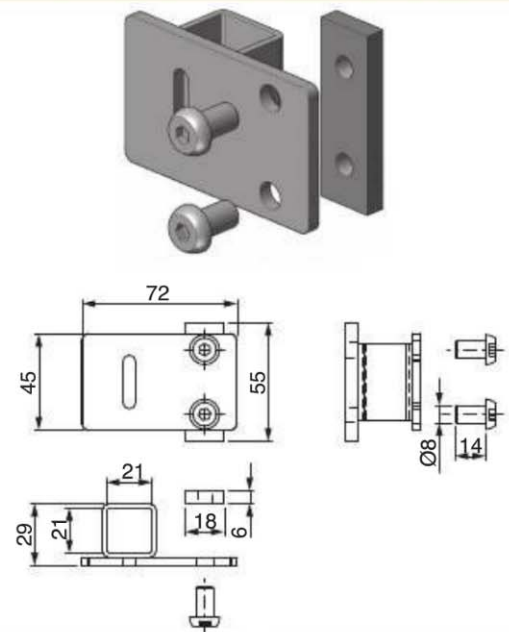
COD.	Kg.
080512.01	0.040

VITE UNI EN 7380 M8x14 ZINCATA
SCREW UNI EN 7380 M8x14 ZINC-PLATED

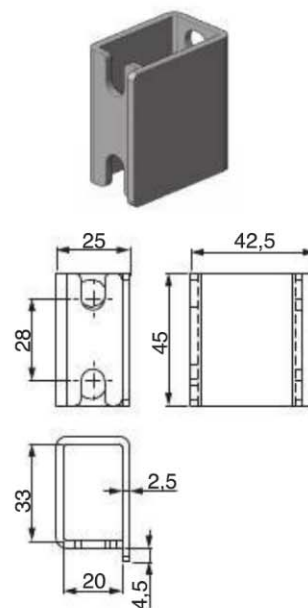
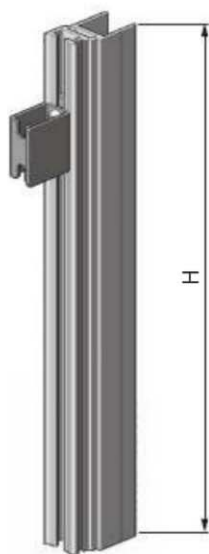
COD.	Kg.
132002.01	0.004



COD.	DESCRIZIONE - DESCRIPTION	Kg.
133360.12	SOLO PROFILO IN ALLUMINIO ONLY ALU PROFILE	0.345

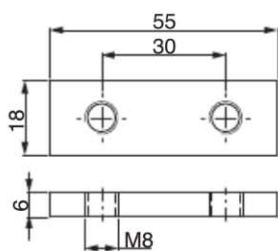
KIT TASCHETTA POSTERIORE PER PROFILO 133360.12
REAR POCKET KIT FOR 133360.12 PROFILE

COD.	Kg.
190046.01K	0.200

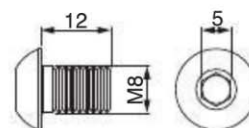
S.36 ALU 25mm**H 500/600/800/1000 mm****LATERALE / LATERAL**

H (mm)	COD.	Kg.
500	193361.00	0.500
600	193362.00	0.840
800	193364.00	1.270
1000	193366.00	1.490

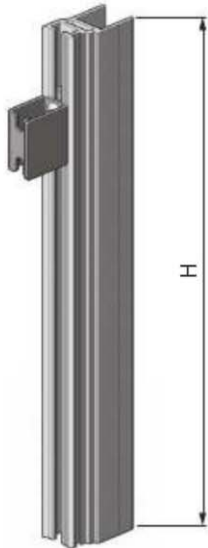
COD.	MATERIALE MATERIAL	Kg.
190038.01	TACCHETTA ZINCATA ZINC-PLATED POCKET	0.090
210038.00	ACC. INOX STAINLESS STEEL	0.090

PIASTRINA ZINCATA INTERASSE 30mm
ZINC-PLATED BACKPLATE WHEELBASE 30mm

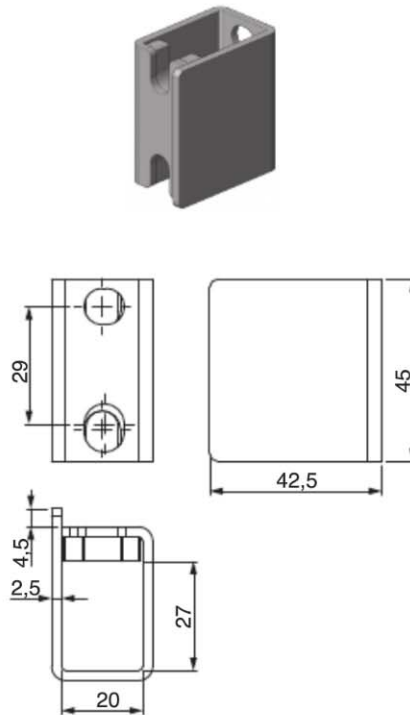
COD.	Kg.
080512.01	0.040

VITE UNI EN 7380 M8x12 ZINCATA
ZINC-PLATED SCREW UNI EN 7380 M8x12

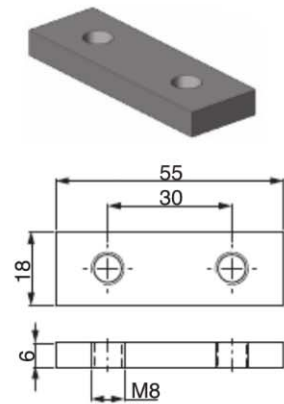
COD.	Kg.
020947.01	0.004

S.36 ALU 25mm**H 500/600/800/1000 mm****POSTERIORE / REAR**

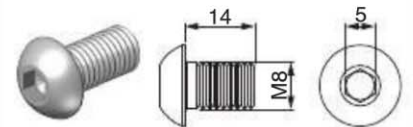
H (mm)	COD.	Kg.
500	193381.00	0.780
600	193382.00	0.890
800	193384.00	1.120
1000	193386.00	1.370



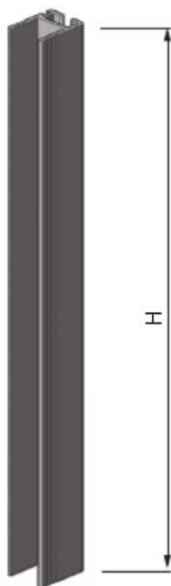
COD.	MATERIALE MATERIAL	Kg.
190045.01	TACCHETTA ZINCATA ZINC-PLATED POCKET	0.120

**PIASTRINA ZINCATA INTERASSE 30mm
ZINC-PLATED BACKPLATE WHEELBASE 30mm**

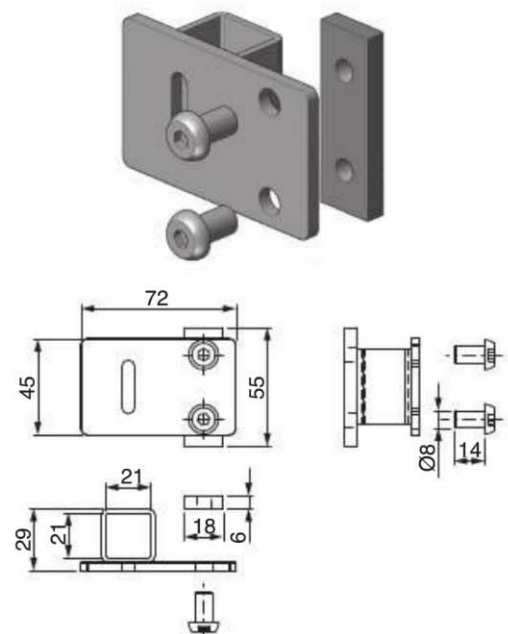
COD.	Kg.
080512.01	0.040

**VITE UNI EN 7380 M8x14 ZINCATA
ZINC-PLATED SCREW UNI EN 7380 M8x14**

COD.	Kg.
132002.01	0.004

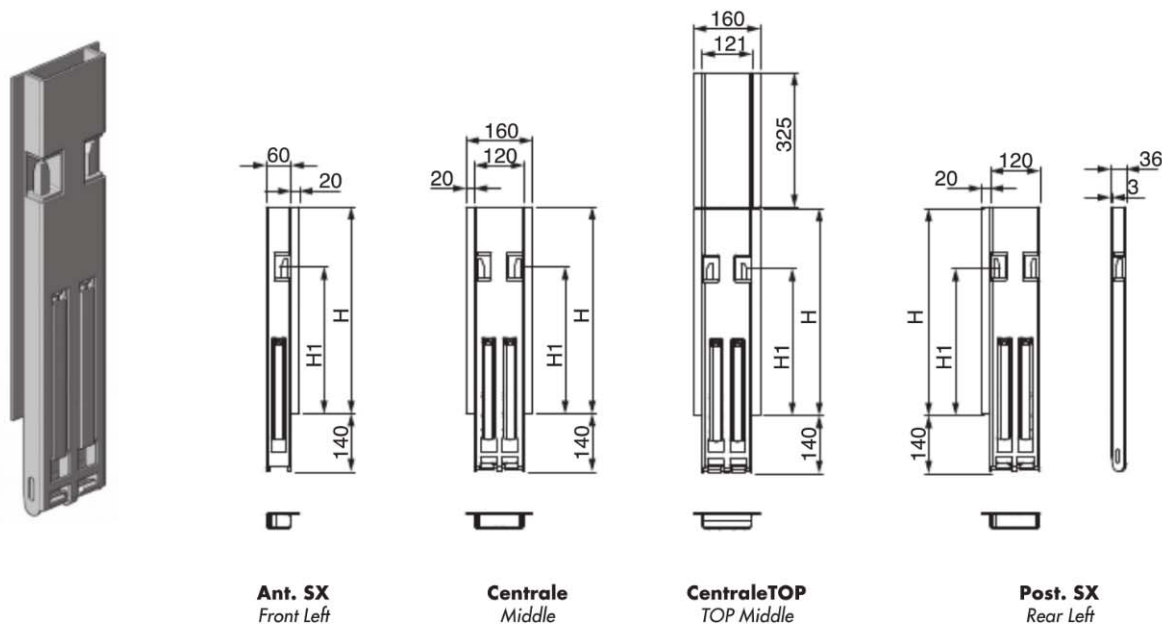


H (mm)	COD.	Kg.
500	133361.12	0.450
600	133362.12	0.540
800	133364.12	0.720
1000	133366.12	0.900

**KIT TASCHETTA POSTERIORE PER PROFILO 133360.12
REAR POCKET KIT FOR 133360.12 PROFILE**

COD.	Kg.
190046.01K	0.200

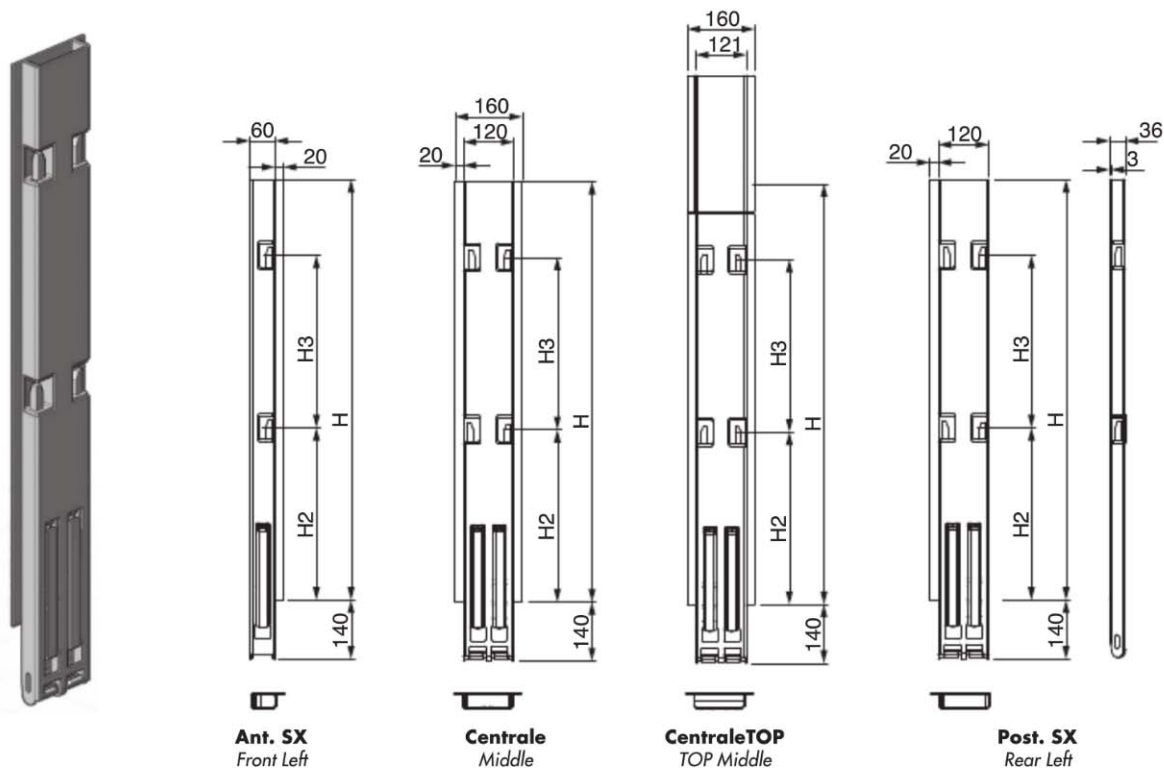
S.36 ALU 25 mm



H mm	H1 mm	MATERIALE MATERIAL	ANTERIORE FRONT (right/left)	ANTERIORE ROVESCIBILE FRONT DEMONTABLE (right/left)	ANTERIORE ROV. SENZA LINGUETTA FRONT DEM. WITHOUT LIP (right/left)	CENTRALE CENTRAL	CENTRALE TOP TOP CENTRAL	POSTERIORE REAR (right/left)	TRATT. TREATMENT
400	355	ACCIAIO STEEL	056.250.DX.49	056.251.DX.49	/	056.252.00.49	056.978.00.49	056.253.DX.49	FORESI/KTL
			056.250.SX.49	056.251.SX.49				056.253.SX.49	
		ACC. INOX STAIN. STEEL	057.450.DX.00 (right)	057.451.DX.00 (right)	/	057.452.00.00	/	057.453.DX.00 (right)	-
			057.450.SX.00	057.451.SX.00				057.453.SX.00	
500	355	ACCIAIO STEEL	056.254.DX.49	056.255.DX.49	056.255.DL.49	056.256.00.49	056.980.00.49	056.257.DX.49	FORESI/KTL
			056.254.SX.49	056.255.SX.49	056.255.SL.49			056.257.SX.49	
		ACC. INOX STAIN. STEEL	057.454.DX.00 (right)	057.455.DX.00 (right)	/	057.456.00.00	/	057.457.DX.00 (right)	-
			057.454.SX.00	057.455.SX.00				057.457.SX.00	
600	420	ACCIAIO STEEL	056.258.DX.49	056.259.DX.49	056.259.DL.49	056.260.00.49	056.292.00.49	056.261.DX.49	FORESI/KTL
			056.258.SX.49	056.259.SX.49	056.259.SL.49			056.261.SX.49	
		ACC. INOX STAIN. STEEL	057.458.DX.00 (right)	057.459.DX.00 (right)	/	057.460.00.00	057.445.00.00	057.461.DX.00 (right)	-
			057.458.SX.00	057.459.SX.00				057.461.SX.00	
800	620	ACCIAIO STEEL	056.262.DX.49	056.263.DX.49	056.263.DL.49	056.265.00.49	056.293.00.49	056.266.DX.49	FORESI/KTL
			056.262.SX.49	056.263.SX.49	056.263.SL.49			056.266.SX.49	
		ACC. INOX STAIN. STEEL	057.462.DX.00 (right)	057.463.DX.00 (right)	/	057.465.00.00	057.446.00.00	057.466.DX.00 (right)	-
			057.462.SX.00	057.463.SX.00				057.466.SX.00	

DISPONIBILE VERSIONE INOX FIORETTATO / ANTI-REFLEX STAINLESS STEEL VERSION AVAILABLE

S.36 ALU 25 mm



H mm	H2 mm	H3 mm	MATERIALE MATERIAL	ANTERIORE FRONT (right/left)	ANTERIORE ROVESCIBILE FRONT DEMONTABLE (right/left)	ANTERIORE ROV. SENZA LINGUETTA FRONT DEM. WITHOUT LIP (right/left)	CENTRALE CENTRAL	CENTRALE TOP TOP CENTRAL	POSTERIORE REAR (right/left)	TRATT. TREATMENT
1000	410	410	ACCIAIO STEEL	056.267.DX.49	056.268.DX.49	056.268.DL.49	056.270.00.49	056.294.00.49	056.271.DX.49	FORESI/KTL
				056.267.SX.49	056.268.SX.49	056.268.SL.49			056.271.SX.49	
			ACC. INOX STAIN. STEEL	057.467.DX.00 (right)	057.468.DX.00 (right)	/	057.470.00.00	057.447.00.00	057.471.DX.00 (right)	-
				057.467.SX.00	057.468.SX.00				057.471.SX.00	
1100	460	460	ACCIAIO STEEL	056.272.DX.49	056.273.DX.49	/	056.275.00.49	/	056.276.DX.49	FORESI/KTL
				056.272.SX.49	056.273.SX.49				056.276.SX.49	
			ACC. INOX STAIN. STEEL	057.472.DX.00 (right)	057.473.DX.00 (right)	/	057.475.00.00	/	057.476.DX.00 (right)	-
				057.472.SX.00	057.473.SX.00				057.476.SX.00	
1200	510	510	ACCIAIO STEEL	056.277.DX.49	/	/	056.280.00.49	/	056.281.DX.49	FORESI/KTL
				056.277.SX.49					056.281.SX.49	
			ACC. INOX STAIN. STEEL	057.477.DX.00 (right)	/	/	057.480.00.00	/	057.481.DX.00 (right)	-
				057.477.SX.00					057.481.SX.00	

DISPONIBILE VERSIONE INOX FIORETTATO / ANTI-REFLEX STAINLESS STEEL VERSION AVAILABLE

S.36 ALU 25mm**TESTATE ZINCATE / ZINC-PLATED HEADS**

TESTATE LATERALI E POSTERIORI PER ALLUMINIO DA 25
A 1 CHIUSURA CON LABBRO DA 40
REAR AND LATERAL SIDEBOARD HEADS FOR ALUMINIUM
AT 25 MM WITH 1 HANDLE PROFILED AT 40 MM

TESTATE A 1 CHIUSURA SP. 25
SIDEBOARD HEADS WITH 1 HANDLE TH. 25

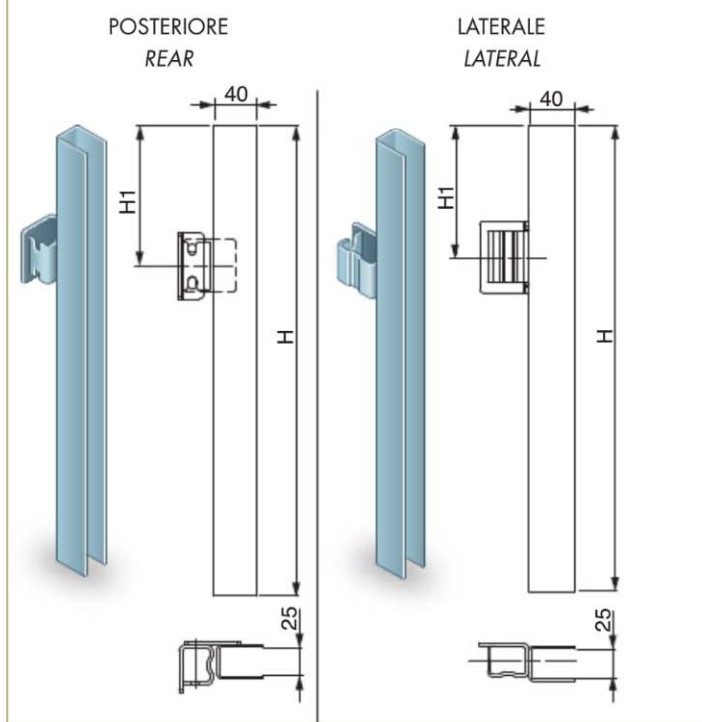
H	H1	Descrizione Description	Codice Code	Peso Kg Weight Kg
400	45	LAT. DESTRA	050.332.DX.00	0.820
400	45	LAT. SINISTRA	050.332.SX.00	0.820
400	45	POST. DESTRA	050.353.DX.00	0.820
400	45	POST. SINISTRA	050.353.SX.00	0.820
500	145	LAT. DESTRA	050.333.DX.00	0.980
500	145	LAT. SINISTRA	050.333.SX.00	0.980
500	145	POST. DESTRA	050.354.DX.00	0.980
500	145	POST. SINISTRA	050.354.SX.00	0.980
600	180	LAT. DESTRA	050.334.DX.00	1.140
600	180	LAT. SINISTRA	050.334.SX.00	1.140
600	180	POST. DESTRA	050.355.DX.00	1.140
600	180	POST. SINISTRA	050.355.SX.00	1.140
700	80	LAT. DESTRA	050.335.DX.00	1.300
700	80	LAT. SINISTRA	050.335.SX.00	1.300
700	80	POST. DESTRA	050.356.DX.00	1.300
700	80	POST. SINISTRA	050.356.SX.00	1.300
800	180	LAT. DESTRA	050.336.DX.00	1.460
800	180	LAT. SINISTRA	050.336.SX.00	1.460
800	180	POST. DESTRA	050.357.DX.00	1.460
800	180	POST. SINISTRA	050.357.SX.00	1.460

TESTATE LATERALI E POSTERIORI PER ALLUMINIO DA 25
A 2 CHIUSURE CON LABBRO DA 40
REAR AND LATERAL SIDEBOARD HEADS FOR ALUMINIUM
AT 25 MM WITH 2 HANDLES PROFILED AT 40 MM

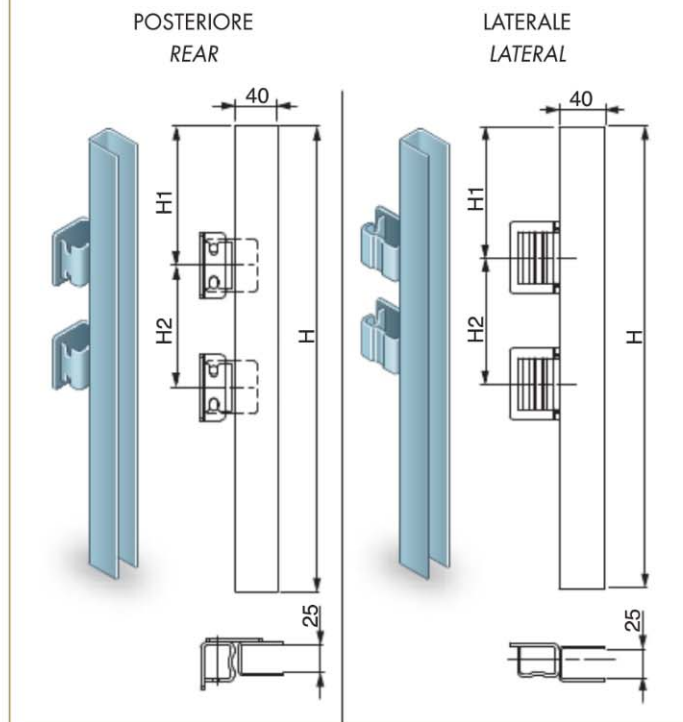
TESTATE A 2 CHIUSURE SP. 25
SIDEBOARD HEADS WITH 2 HANDLES TH. 25

H	H1	H2	Descrizione Description	Codice Code	Peso Kg Weight Kg
900	80	410	LAT. DESTRA	050.337.DX.00	1.610
900	80	410	LAT. SINISTRA	050.337.SX.00	1.610
900	80	410	POST. DESTRA	050.358.DX.00	1.610
900	80	410	POST. SINISTRA	050.358.SX.00	1.610
1000	180	410	LAT. DESTRA	050.338.DX.00	1.950
1000	180	410	LAT. SINISTRA	050.338.SX.00	1.950
1000	180	410	POST. DESTRA	050.339.DX.00	1.950
1000	180	410	POST. SINISTRA	050.339.SX.00	1.950
1100	180	460	LAT. DESTRA	050.340.DX.00	2.110
1100	180	460	LAT. SINISTRA	050.340.SX.00	2.110
1100	180	460	POST. DESTRA	050.341.DX.00	2.110
1100	180	460	POST. SINISTRA	050.341.SX.00	2.110
1200	180	510	LAT. DESTRA	050.342.DX.00	2.260
1200	180	510	LAT. SINISTRA	050.342.SX.00	2.260
1200	180	510	POST. DESTRA	050.343.DX.00	2.260
1200	180	510	POST. SINISTRA	050.343.SX.00	2.260

RAPP. VERSIONE DX
SHOWN RIGHT VERSION



RAPP. VERSIONE DX
SHOWN RIGHT VERSION



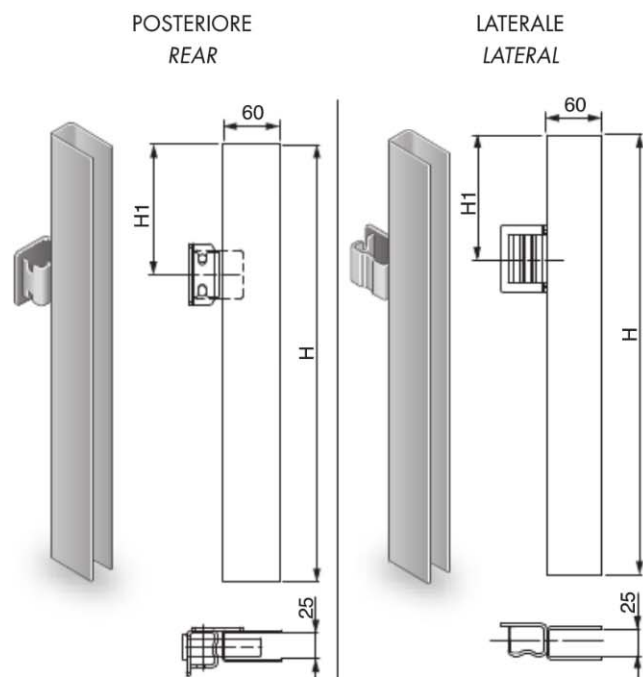
S.36 ALU 25mm**TESTATE INOX / STAINLESS STEEL HEADS**

TESTATE LATERALI E POSTERIORI PER ALLUMINIO DA 25 A 1 CHIUSURA CON LABBRO DA 60 INOX
 STAINLESS STEEL REAR AND LATERAL SIDEBOARD HEADS FOR ALUMINIUM AT 25 WITH 1 HANDLE PROFILED AT 60 MM

TESTATE A 1 CHIUSURA SP. 25 INOX
 STAINLESS STEEL SIDEBOARD HEADS WITH 1 HANDLE TH. 25

H	H1	Descrizione Description	Codice Code	Peso Kg Weight Kg
400	45	LAT. DESTRA	051.482.DX.00	0.820
400	45	LAT. SINISTRA	051.482.SX.00	0.820
400	45	POST. DESTRA	051.483.DX.00	0.820
400	45	POST. SINISTRA	051.483.SX.00	0.820
500	145	LAT. DESTRA	051.484.DX.00	0.980
500	145	LAT. SINISTRA	051.484.SX.00	0.980
500	145	POST. DESTRA	051.485.DX.00	0.980
500	145	POST. SINISTRA	051.485.SX.00	0.980
600	180	LAT. DESTRA	051.486.DX.00	1.140
600	180	LAT. SINISTRA	051.486.SX.00	1.140
600	180	POST. DESTRA	051.487.DX.00	1.140
600	180	POST. SINISTRA	051.487.SX.00	1.140
700	80	LAT. DESTRA	051.488.DX.00	1.300
700	80	LAT. SINISTRA	051.488.SX.00	1.300
700	80	POST. DESTRA	051.489.DX.00	1.300
700	80	POST. SINISTRA	051.489.SX.00	1.300
800	180	LAT. DESTRA	051.490.DX.00	1.460
800	180	LAT. SINISTRA	051.490.SX.00	1.460
800	180	POST. DESTRA	051.491.DX.00	1.460
800	180	POST. SINISTRA	051.491.SX.00	1.460

RAPP. VERSIONE DX
 SHOWN RIGHT VERSION

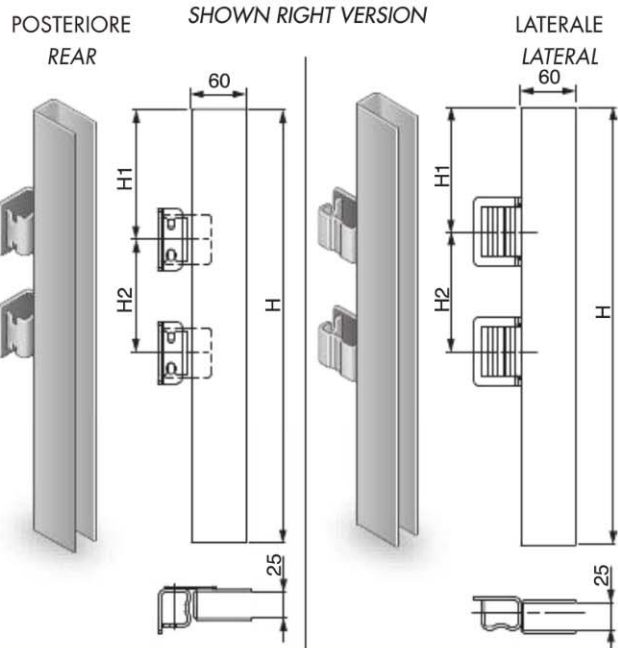


TESTATE LATERALI E POSTERIORI PER ALLUMINIO DA 25 A 2 CHIUSURE CON LABBRO DA 60 INOX
 STAINLESS STEEL REAR AND LATERAL SIDEBOARD HEADS FOR ALUMINIUM AT 25 WITH 2 HANDLES PROFILED AT 60 MM

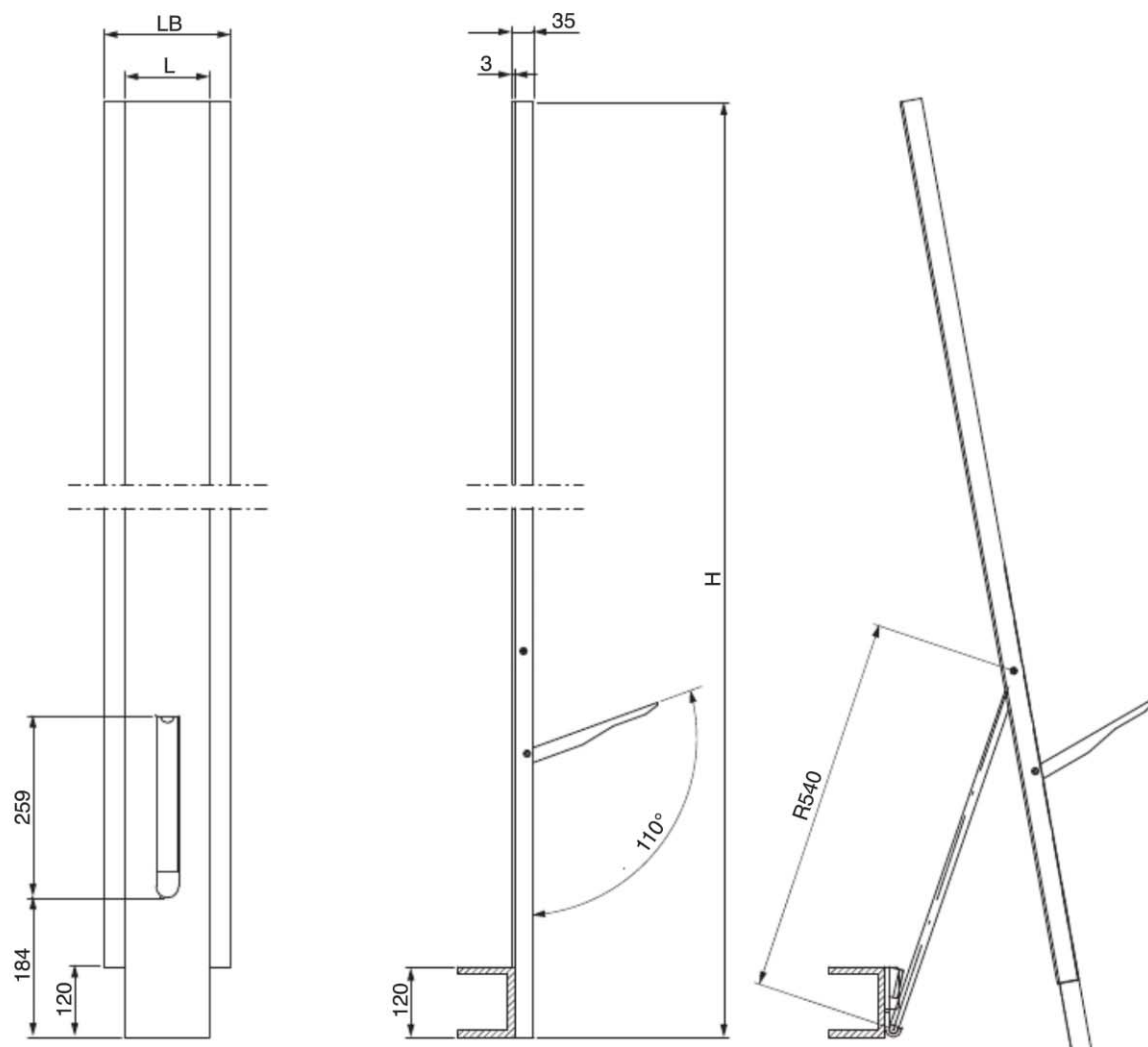
TESTATE A 2 CHIUSURE SP. 25 INOX
 STAINLESS STEEL SIDEBOARD HEADS WITH 2 HANDLES TH. 25

H	H1	H2	Descrizione Description	Codice Code	Peso Kg Weight Kg
900	80	410	LAT. DESTRA	051.492.DX.00	1.610
900	80	410	LAT. SINISTRA	051.492.SX.00	1.610
900	80	410	POST. DESTRA	051.493.DX.00	1.610
900	80	410	POST. SINISTRA	051.493.SX.00	1.610
1000	180	410	LAT. DESTRA	051.494.DX.00	1.950
1000	180	410	LAT. SINISTRA	051.494.SX.00	1.950
1000	180	410	POST. DESTRA	051.495.DX.00	1.950
1000	180	410	POST. SINISTRA	051.495.SX.00	1.950
1100	180	460	LAT. DESTRA	051.496.DX.00	2.110
1100	180	460	LAT. SINISTRA	051.496.SX.00	2.110
1100	180	460	POST. DESTRA	051.497.DX.00	2.110
1100	180	460	POST. SINISTRA	051.497.SX.00	2.110
1200	180	510	LAT. DESTRA	051.498.DX.00	2.260
1200	180	510	LAT. SINISTRA	051.498.SX.00	2.260
1200	180	510	POST. DESTRA	051.499.DX.00	2.260
1200	180	510	POST. SINISTRA	051.499.SX.00	2.260

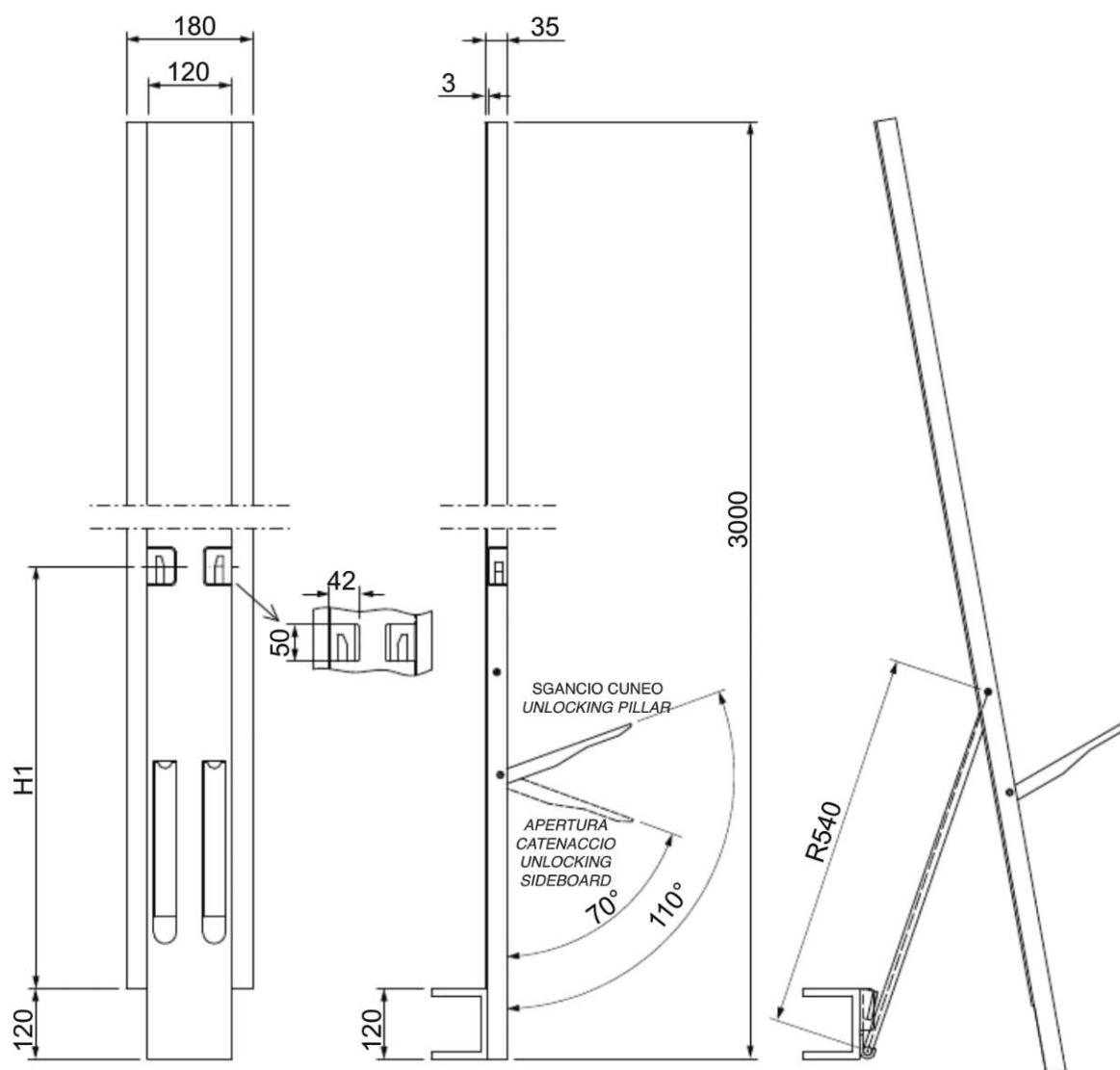
RAPP. VERSIONE DX
 SHOWN RIGHT VERSION



VERSIONE INOX FIORETTATO SU RICHIESTA - ANTI-REFLEX STAINLESS STEEL ON DEMAND



H mm	L mm	LB mm	MATERIALE MATERIAL	COD.	TRATTAMENTO TREATMENT	Kg.
3000	120	180	ACCIAIO - STEEL	135048.20	FORESI - KTL	20.000
2500	85	146	ACCIAIO - STEEL	135040.20	FORESI - KTL	15.000
3000	120	180	ACCIAIO INOX - STAINLESS STEEL	145048.00	/	15.000
3000	120	180	ACCIAIO INOX - STAINLESS STEEL	145048.50	FIORETTATURA - ANTI-REFLEX	15.000

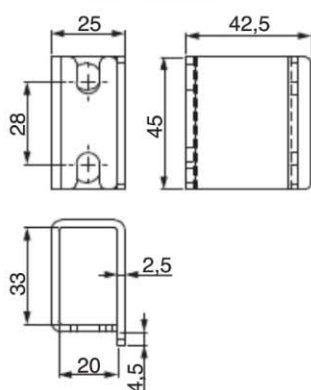


H sponda Sideboard H	H1 mm	MATERIALE MATERIAL	COD.	TRATTAMENTO TREATMENT	Kg.
600	555	ACCIAIO - STEEL	195045.20	FORESI - KTL	21.000
800	620	ACCIAIO - STEEL	195046.20	FORESI - KTL	23.000
600	555	ACCIAIO INOX - STAINLESS STEEL	215045.00	/	21.000
600	555	ACCIAIO INOX - STAINLESS STEEL	215045.50	FIORETTATURA - ANTI-REFLEX	21.000

DISPONIBILE VERSIONE INOX FIORETTATO / ANTI-REFLEX STAINLESS STEEL VERSION AVAILABLE

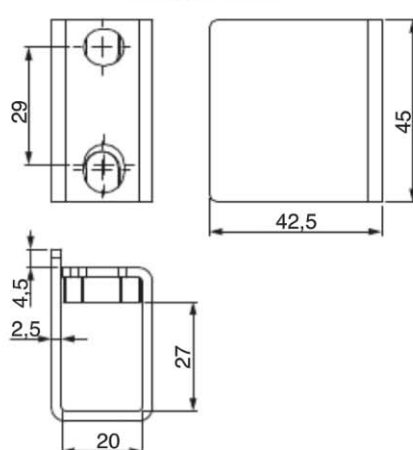
PER MONTANTI "TRILER LOCK" / FOR "TRAILER LOCK" PILLARS

TASCHETTA LATERALE - SIDE POCKET

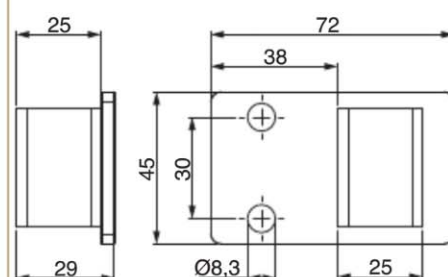
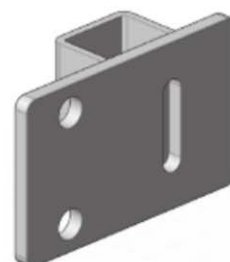


COD.	MATERIALE MATERIAL	Kg.
190038.01	ZINCATA ZINC-PLATED	0.090
210038.00	ACC. INOX STAINLESS STEEL	0.090

TASCHETTA POSTERIORE - REAR POCKET



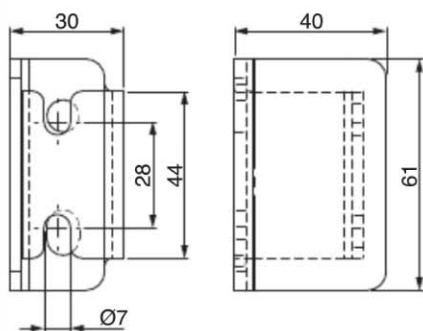
COD.	MATERIALE MATERIAL	Kg.
190045.01	ZINCATA ZINC-PLATED	0.120

TASCHETTA POSTERIORE AD AVVITARE
REAR POCKET TO SCREW

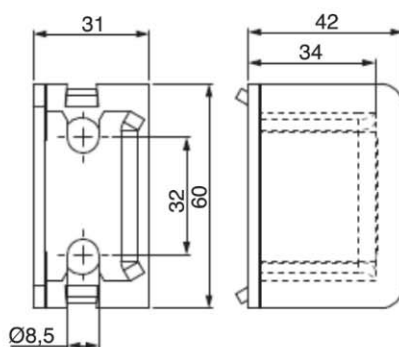
COD.	MATERIALE MATERIAL	Kg.
190046.01	ZINCATA ZINC-PLATED	0.152

PER MONTANTI "MAX" / FOR "MAX" PILLARS

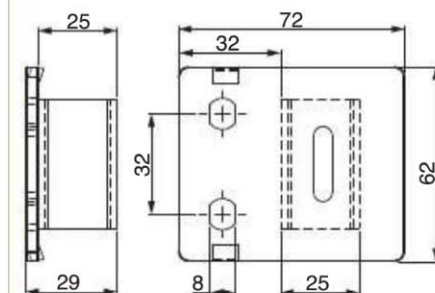
TASCHETTA LATERALE - SIDE POCKET



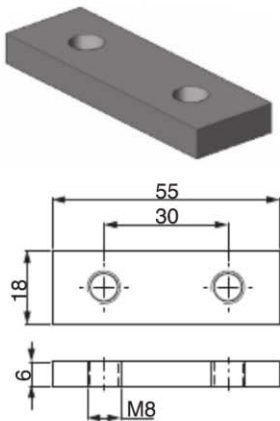
COD.	MATERIALE MATERIAL	Kg.
130006.01	ZINCATA ZINC-PLATED	0.125
140001.00	ACC. INOX STAINLESS STEEL	0.125

TASCHETTA LATERALE AD AVVITARE
SIDE POCKET TO SCREW

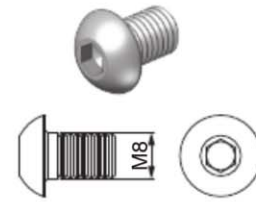
COD.	MATERIALE MATERIAL	Kg.
132000.01	ZINCATA ZINC-PLATED	0.125

TASCHETTA POSTERIORE AD AVVITARE
REAR POCKET TO SCREW

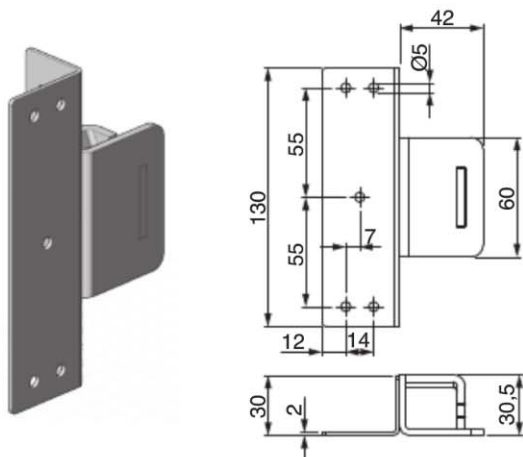
COD.	MATERIALE MATERIAL	Kg.
132003.01	ZINCATA ZINC-PLATED	0.190

PIASTRINA INTERASSE 30mm
BACKPLATE WHEELBASE 30mm

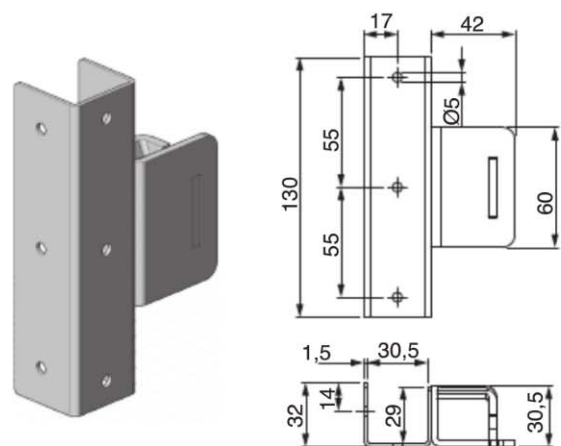
COD.	MATERIALE - MATERIAL	Kg.
080512.01	ZINCATA - ZINC-PLATED	0.040

VITE UNI EN 7380
SCREW UNI EN 7380

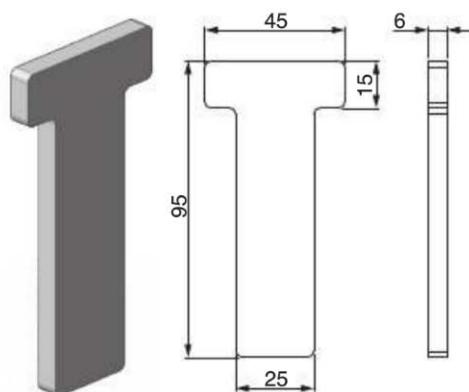
COD.	DIMEN. DIMEN.	MATERIALE MATERIAL	Kg.
020947.01	M8x12	ZINCATA - ZINC-PLATED	0.006
130002.01	M8x14	ZINCATA - ZINC-PLATED	0.007
050.850.00.00	M8x16	INOX - S. STEEL	0.010

TASCHETTA CON ANGOLARE LATERALE
SIDE STRICKER WITH ANGLE

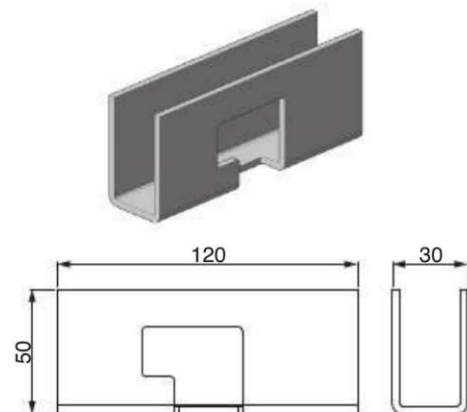
COD.	MATERIALE - MATERIAL	Kg.
050.283.00.00	ZINCATA - ZINC-PLATED	0.310

TASCHETTA CON ANGOLARE POSTERIORE
REAR STRICKER WITH U PROFILE

COD.	MATERIALE - MATERIAL	Kg.
050.284.00.00	ZINCATA - ZINC-PLATED	0.440

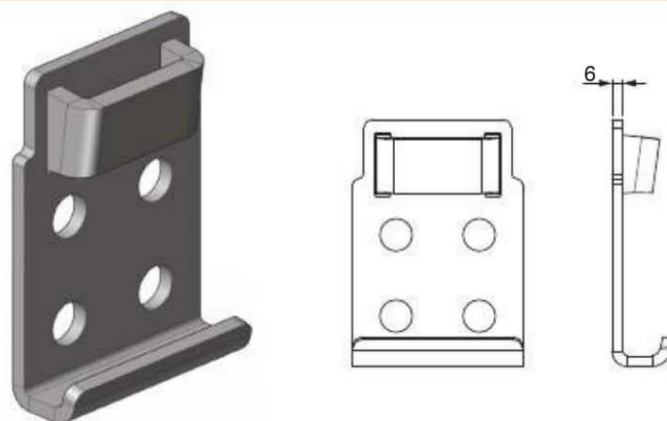
ATTACCO MOBILE PER MONTANTE "TOP"
MALE "TOP" CONNECTOR

COD.	Kg.
130073.00	0.130

ATTACCO FISSO PER MONTANTE "TOP"
FEMALE "TOP" CONNECTOR

COD.	Kg.
130074.00	0.300

SEDE PER MONTANTE "TRAILER LOCK" H400 MM - SOCKET FOR 400 MM "TRAILER LOCK" PILLAR



COD.

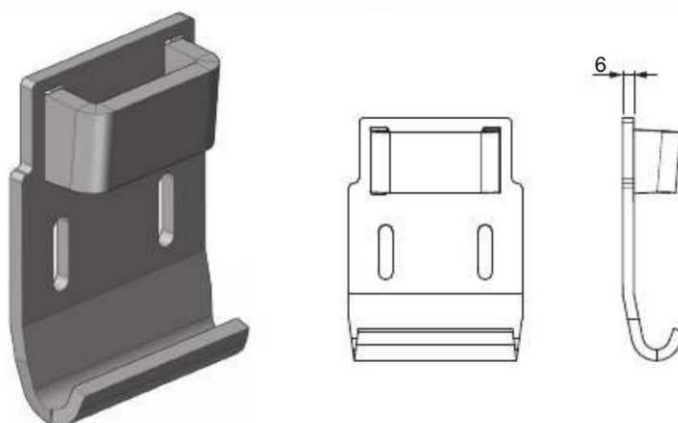
130013.00

Kg.

0,800

ORDINARE SOLO COME RICAMBIO - TO ORDER AS SPARE ONLY

SEDE PER MONTANTE "TRAILER LOCK" H500>1000 MM - SOCKET FOR 500>1000 MM "TRAILER LOCK" PILLAR



COD.

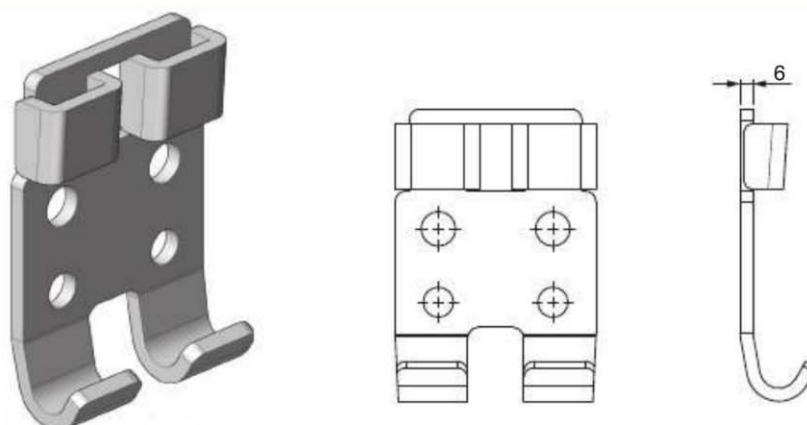
190039.00

Kg.

0.780

ORDINARE SOLO COME RICAMBIO - TO ORDER AS SPARE ONLY

SEDE PER MONTANTE "MAX" - SOCKET FOR "MAX" PILLAR



COD.

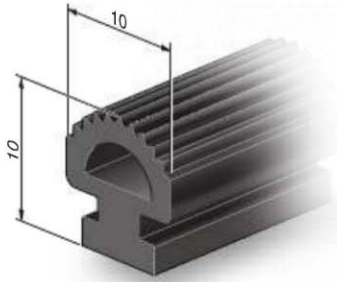
056.201.03.00

Kg.

0,680

ORDINARE SOLO COME RICAMBIO - TO ORDER AS SPARE ONLY

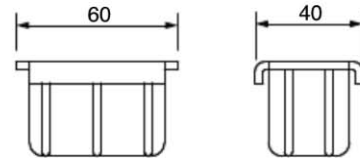
GUARNIZIONE IN GOMMA PER TESTATE IN ALLUMINIO
RUBBER SEAL FOR ALU SIDEBOARD HEADS



COD.	FORNITURA - SUPPLY
133410.00*	BOBINA DA 100m - 100m ROLLS
193411.00**	BOBINA DA 25m - 25m ROLLS

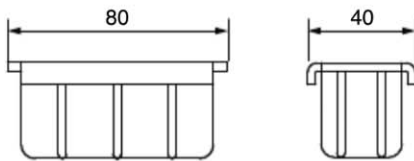
* PER TESTATE SERIE 193360>193366 E 193380>193386
* FOR SIDEBOARD HEADS 193360>193366 AND 193380>193386
** PER TESTATE SERIE 193360>193366
** FOR SIDEBOARD HEADS 193360>193366

TAPPO CHIUSURA MONTANTE "TRAILER LOCK" ANTERIORE L=60
L=60 FRONT "TRAILER LOCK" PILLAR CAP



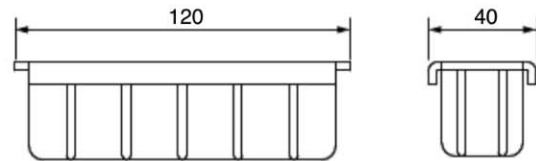
COD.	Kg.
130004.00	0.015

TAPPO CHIUSURA MONTANTE "TRAILER LOCK" ANTERIORE L=80
L=80 FRONT "TRAILER LOCK" PILLAR CAP



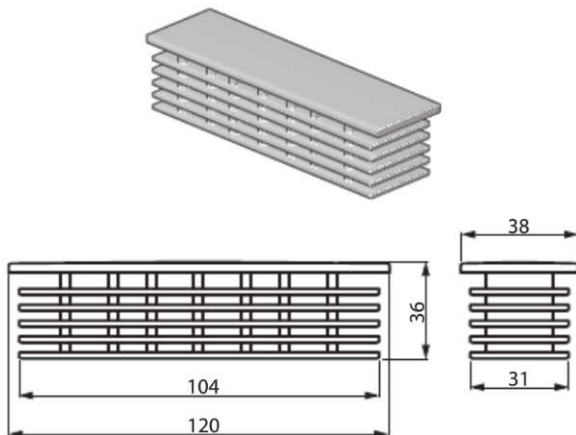
COD.	Kg.
130003.00	0.025

TAPPO CHIUSURA MONTANTE "TRAILER LOCK" CENTRALE POST. L=120
L=120 MIDDLE/REAR "TRAILER LOCK" PILLAR CAP



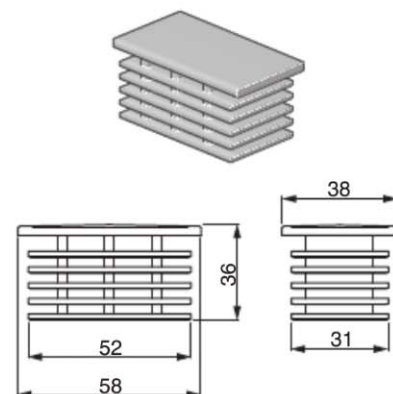
COD.	Kg.
130005.00	0.040

TAPPO ALETTATO PER MONTANTE "MAX" CENTRALE/ POSTERIORE
CAP FOR REAR/CENTRAL "MAX" PILLAR



COD.	Kg.
056.010.00.00	0.065

TAPPO ALETTATO PER MONTANTE "MAX" ANTERIORE
CAP FOR FRONT "MAX" PILLAR



COD.	Kg.
056.012.00.00	0.030

