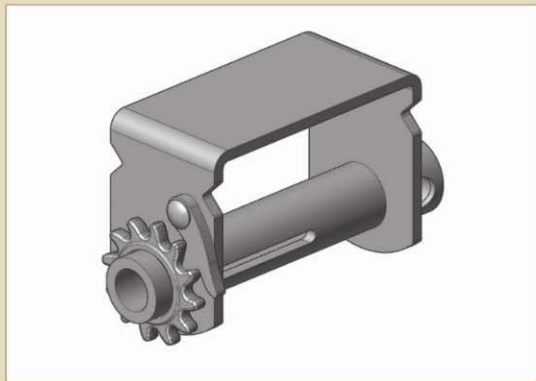
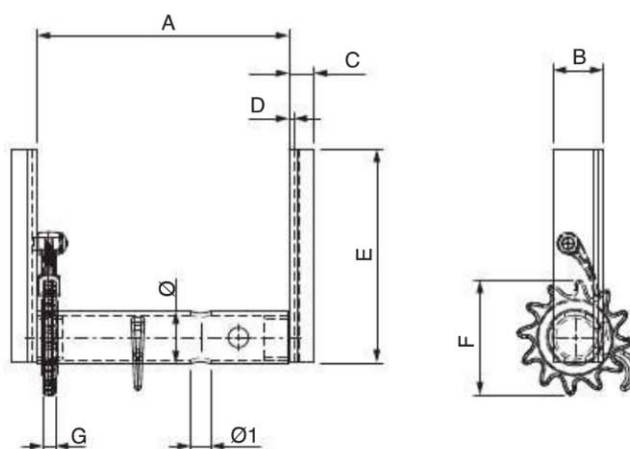


VERRICELLI • ROPE BINDERS

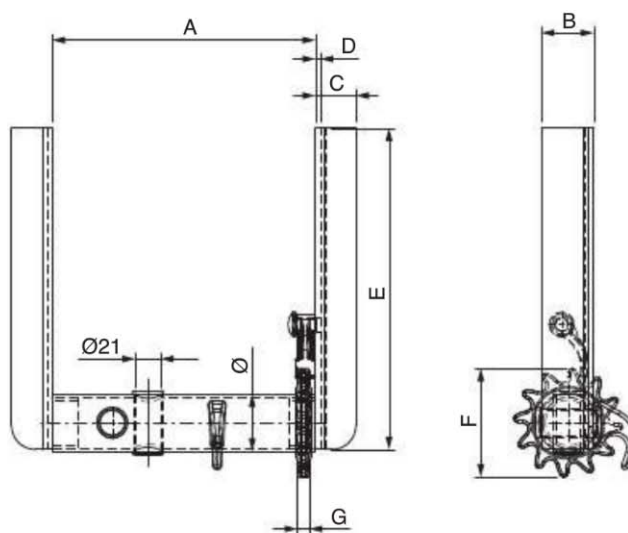


VERRICELLI STANDARD SOTTOTELAIO - STANDARD UNDERBODY ROPE BINDERS



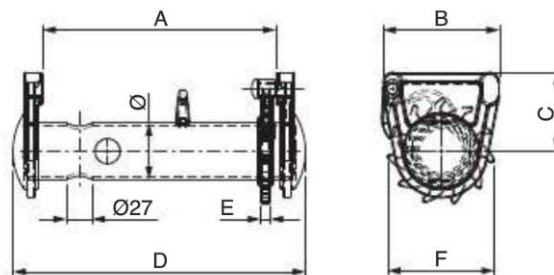
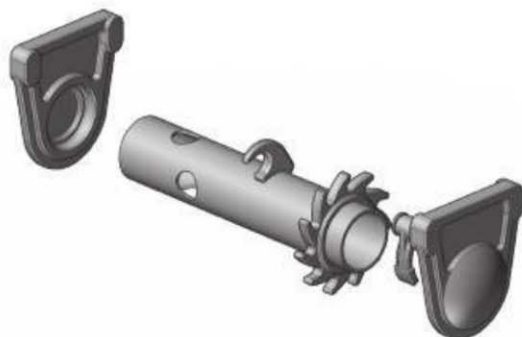
COD.	QUOTE - DIMENSIONS (mm)									Kg.
	Ø	Ø1	A	B	C	D	E	F	G	
F60998.00DX (Right)	32x2	11	170	30	20	3	150	66	10	0.860
F60998.00SX (Left)										
F60555.00DX (Right)	42x3	20	200	35	20	4	170	90	10	1.590
F60555.00SX (Left)										
060.002.DX.EC (Right)	48x3	20	220	45	30	4	200	93	10	2.100
060.002.SX.EC (Left)										

VERRICELLI RINFORZATI SOTTOTELAIO - REINFORCED UNDERBODY ROPE BINDERS



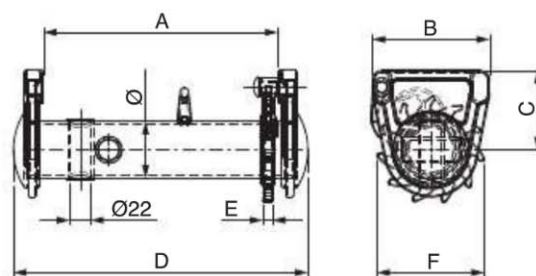
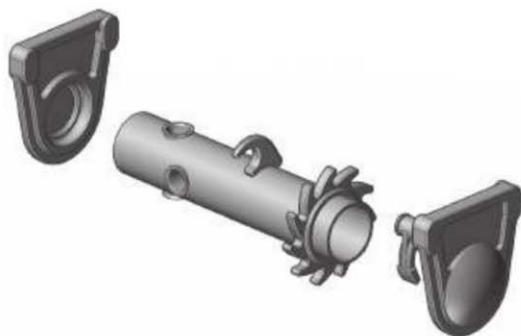
COD.	QUOTE - DIMENSIONS (mm)								Kg.
	Ø	A	B	C	D	E	F	G	
F60516.00DX - 060.003.DX.00 (Right)	48x2.5	220	45	30	4	220	93	10	2.100
F60516.00SX - 060.003.SX.00 (Left)									
060548.00DX - 060.030.DX.00 (Right)	48x2.5	220	45	30	4	270	93	10	2.510
060548.00SX - 060.030.SX.00 (Left)									
060512.00DX (Right)	60x3	250	60	30	5.5	220	113	10	3.380
060512.00SX (Left)									
060547.00DX (Right)	60x3	250	60	30	5.5	270	113	10	3.780
060547.00SX (Left)									

VERRICELLI STANDARD LATO PIANALE - STANDARD PLATFORM SIDE ROPE BINDERS

RAPPRESENTATA VERSIONE DX
 SHOWN (Right) VERSION


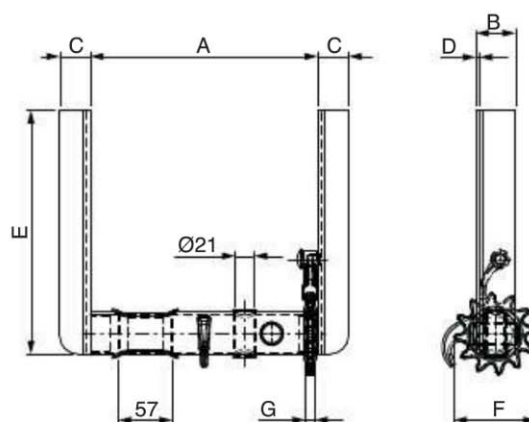
COD.	QUOTE - DIMENSIONS (mm)							Kg.
	Ø	A	B	C	D	E	F	
060513.00DX (Right)	48x2.5	218	106	78	275	10	93	2.820
060513.00SX (Left)								
060514.00DX (Right)	60x3	245	124	84	312	10	113	4.570
060514.00SX (Left)								

VERRICELLI RINFORZATI LATO PIANALE - REINFORCED PLATFORM SIDE ROPE BINDER

RAPPRESENTATA VERSIONE DX
 SHOWN (Right) VERSION


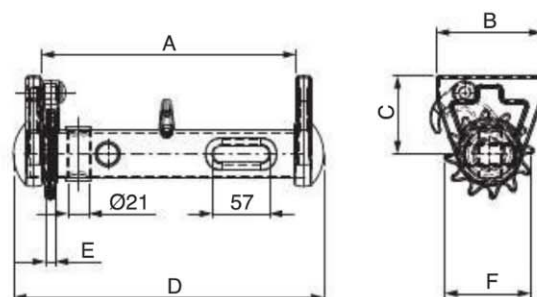
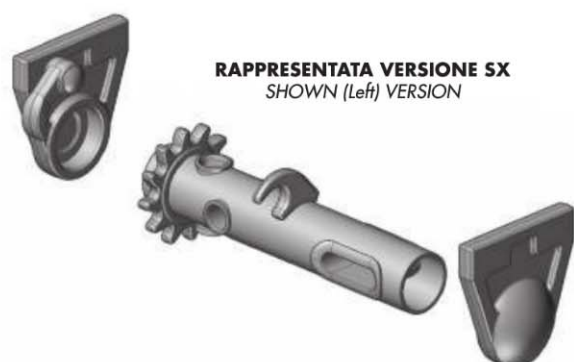
COD.	QUOTE - DIMENSIONS (mm)							Kg.
	Ø	A	B	C	D	E	F	
060517.00DX (Right)	48x2.5	218	106	78	275	10	93	2.980
060517.00SX (Left)								
F60515.00DX (Right)	60x3	245	124	84	312	10	113	4.930
F60515.00SX (Left)								

VERRICELLI TENDICINGHIA SOTTOTELAIO - UNDERBODY BELT ROPE BINDERS



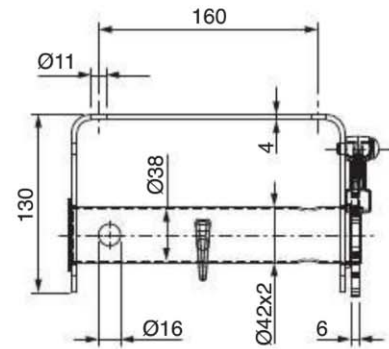
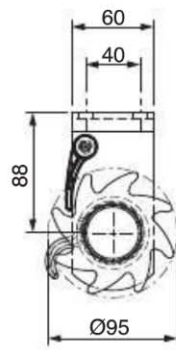
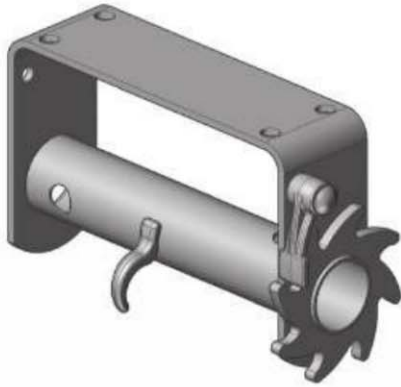
COD.	QUOTE - DIMENSIONS (mm)								Kg.
	Ø	A	B	C	D	E	F	G	
F60550.00DX - 060.024.DX.EC (Right)	48x2.5	250	45	30	4	270	93	10	2.430
F60550.00SX - 060.024.SX.EC (Left)									
F14002.30DX - Inox - (Right)	48x2.5	250	45	30	4	270	93	10	2.520
F14002.30SX - Inox - (Left)									
060558.00DX (Right)	60x3	250	60	30	5.5	220	113	10	3.480
060558.00SX (Left)									

VERRICELLI TENDICINGHIA LATO PIANALE - PLATFORM SIDE BELT ROPE BINDERS



COD.	QUOTE - DIMENSIONS (mm)								Kg.
	Ø	A	B	C	D	E	F		
F60551.00DX - 060.063.DX.00 (Right)	48x2.5	230	106	78	285	10	93	3.120	
F60551.00SX - 060.063.SX.00 (Left)									
F14001.30DX - Inox - (Right)	48x2.5	230	108	80	285	10	93	3.230	
F14001.30SX - Inox - (Left)									
F60552.00DX (Right)	60x3	245	114	85	312	10	113	4.570	
F60552.00SX (Left)									

VERRICELLO ZINCATO SOTTOTELAIO Ø42 - Ø42 ZINC PLATED UNDERBODY ROPE BINDER



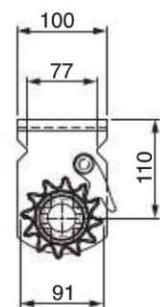
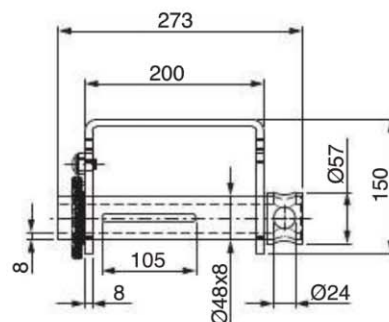
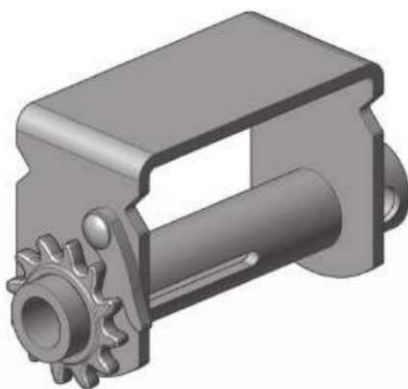
COD.

F60554.03

Kg.

1.320

VERRICELLO TENDICINGHIA SOTTOTELAIO PESANTE - HEAVY DUTY UNDERBODY BELT ROPE BINDER



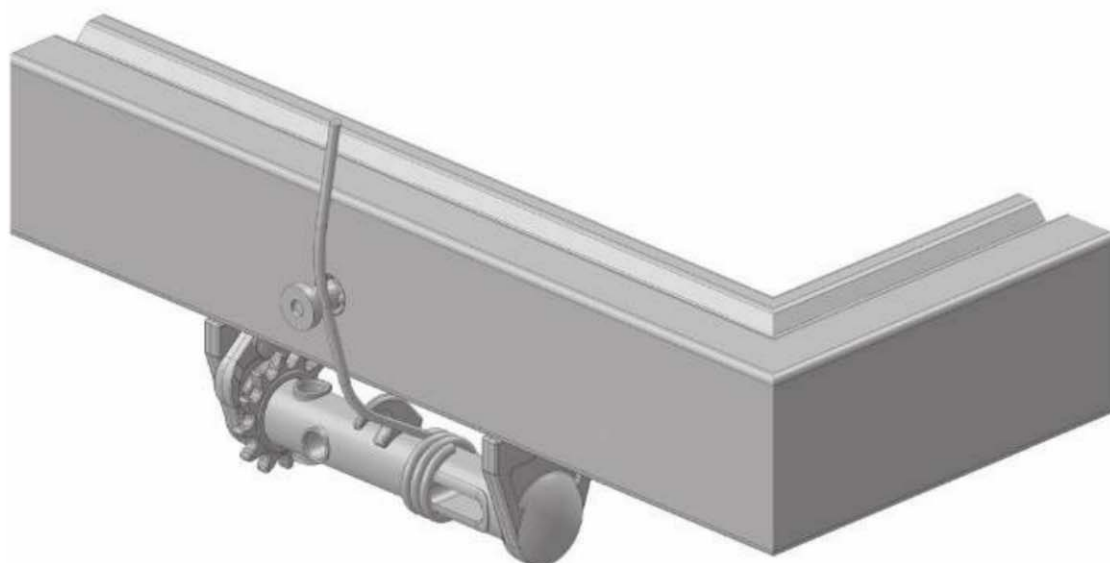
COD.

060559.00

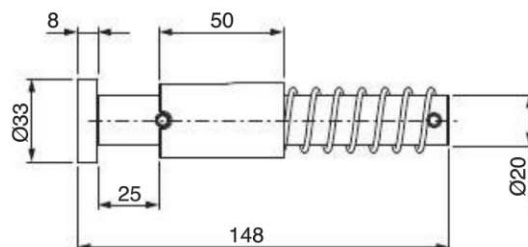
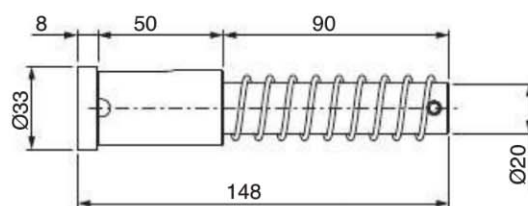
Kg.

5.790

SCHEMA SERVOVERRICELLO - GUIDE ROPE BINDER MOUNTING SKETCH



SERVOVERRICELLO CON ARRESTO ZINCATO - ZINC PLATED GUIDE ROPE BINDER

SERVOVERRICELLO CHIUSO
GUIDE ROPE BINDER LOCKEDSERVOVERRICELLO APERTO
GUIDE ROPE BINDER OPEN

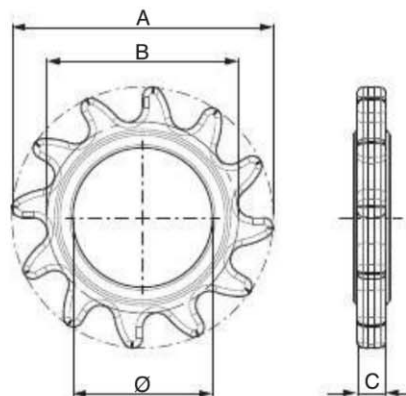
COD.

060557.01

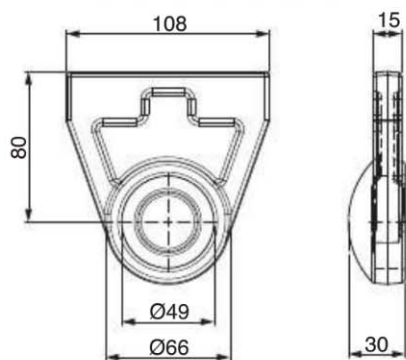
Kg.

0.540

CORONA PER VERRICELLO - ROPE BINDER CROWN



COD.	QUOTE - DIMENSIONS (mm)				Kg.
	Ø	A	B	C	
060.040.00.00	32	62	42	10	0.280
060565.00	42	90	66	10	0.320
060526.00	48	90	70	10	0.272
060527.00	60	115	85	10	0.470
060529.00	64	115	85	10	0.500

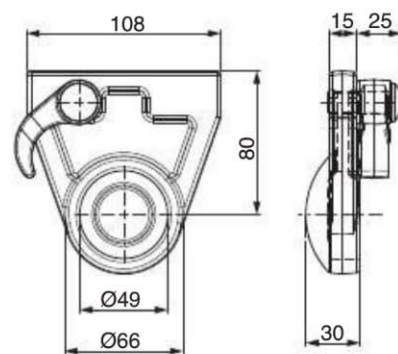
SUPPORTO VERRICELLO Ø48
Ø48 ROPE BINDER SUPPORT

COD.

060537.00

Kg.

0.760

SUPPORTO VERRICELLO Ø48 CON ARRESTO
Ø48 ROPE BINDER SUPPORTRAPPRESENTATA VERSIONE SX
SHOWN LEFT VERSION

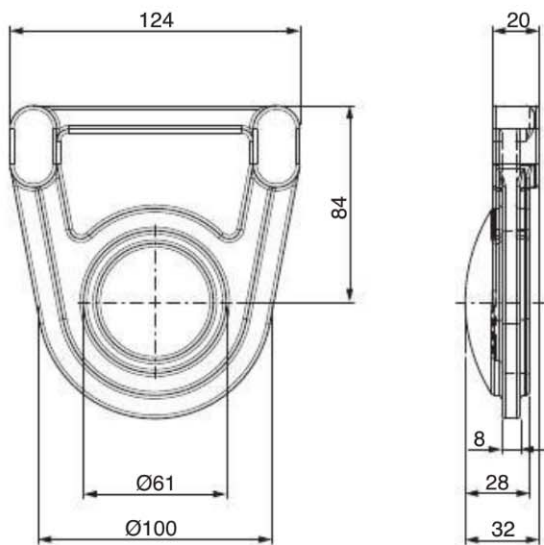
COD.

060534.00DX (Right)
060534.00SX (Left)

Kg.

1.060

SUPPORTO VERRICELLO Ø60
Ø60 ROPE BINDER SUPPORT



COD.

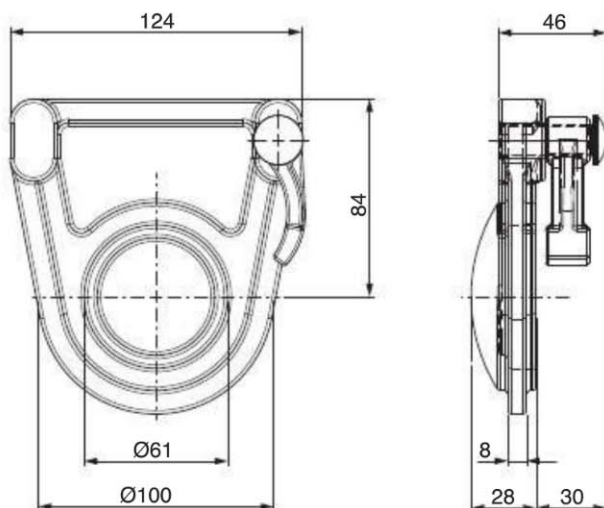
060538.00

Kg.

1.430

SUPPORTO VERRICELLO Ø60 CON ARRESTO
Ø60 ROPE BINDER SUPPORT WITH HOOK

RAPPRESENTATA VERSIONE DX
SHOWN RIGHT VERSION



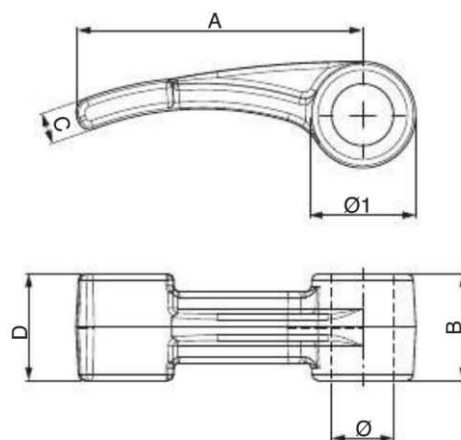
COD.

060549.00DX (Right)
060549.00SX (Left)

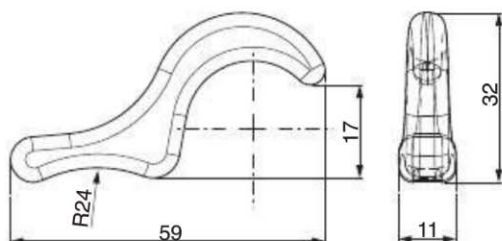
Kg.

1.510

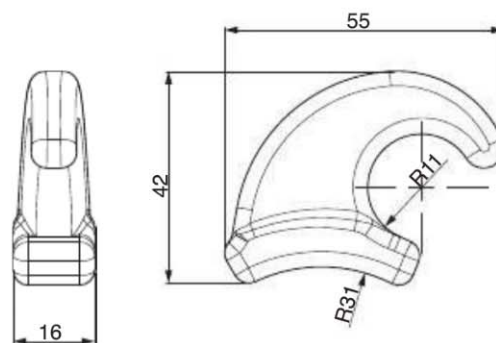
SALTARELLI PER CORONA VERRICELLO - CROWN RETAINERS



COD.	QUOTE - DIMENSIONS (mm)						Kg.
	Ø	Ø1	A	B	C	D	
060750.00	10,5	18	48	17	7	18	0.060
060530.00	12,5	24	57	18	8	16	0.080
060760.00	12,5	25	52	20	8	18	0.110

DENTE DI ARRESTO PER VERRICELLO
ROPE BINDER HOOK

COD.	Kg.
060533.00	0.050

DENTE DI ARRESTO PER VERRICELLO
ROPE BINDER HOOK

COD.	Kg.
060780.00	0.120

