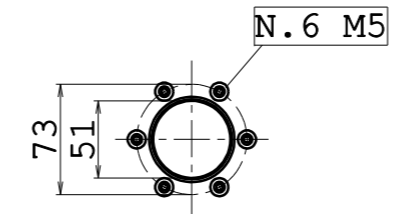
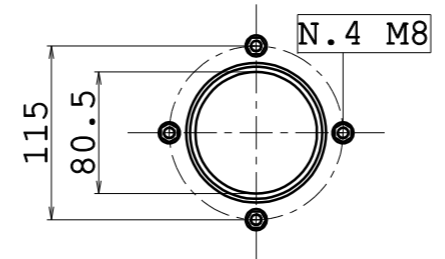


1 OIL CAP FLANGE

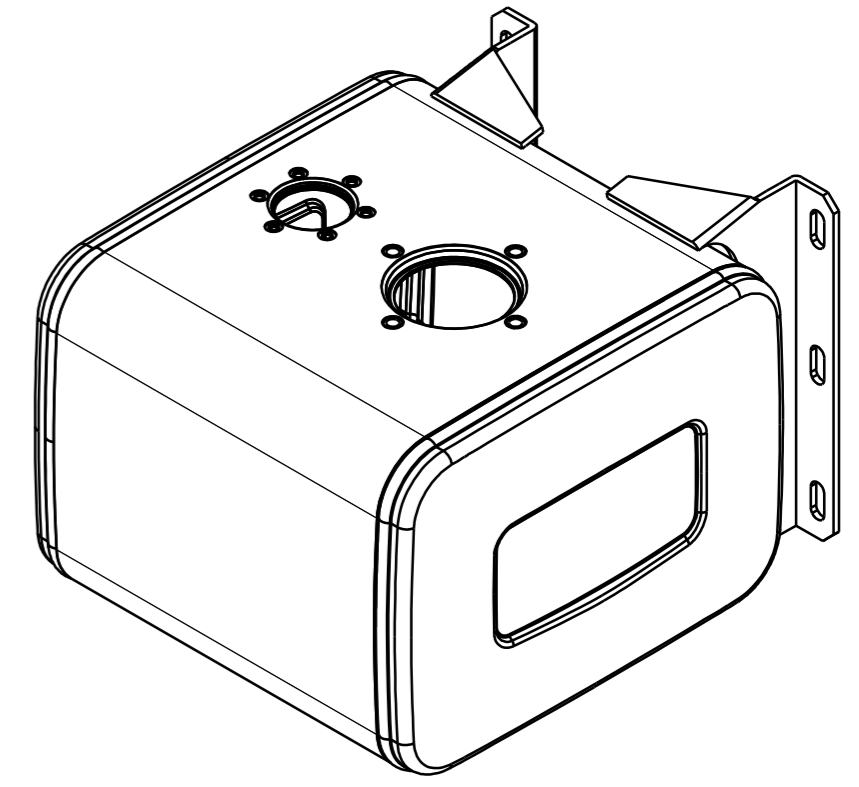


SCALE 1:2,5

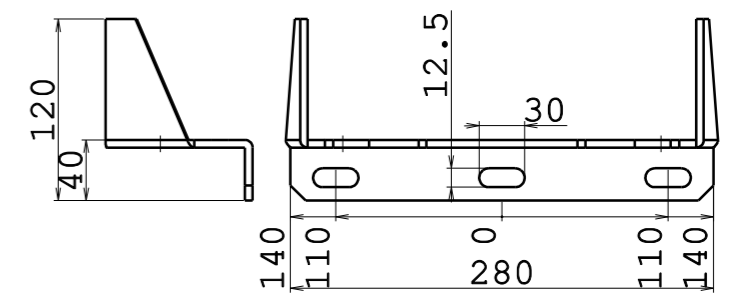
2 RETURN FILTER FLANGE



SCALE 1:2,5



5 SUPPORT CONNECTION DETAIL



SCALE 1:2,5

Tank composition		
Pos.	Denominazione	Q.tà
1	OIL CAP FLANGE	1
2	RETURN FILTER FLANGE	1
3	OIL SUCTION CONNECTION 1"1/4	1
4	3/4" LEVEL INDICATOR	1
5	SUPPORT	2

Tank dimension		1	18/10/2018	MM	FG	EB
Level indicator capacity	25 Lt	0	27/08/2018	MM	FG	EB
Full capacity	30 Lt	Rev.	Date	Des.	Ver.	App.
Support weight		Modify description				
Tank weight (F,I,T) kg (A) kg		Part name : Oil tank 30 LT Steel fam. 260x360				
Dimensions	365x260x360 mm	Part code : NSOF0030036H000		Material code (X)=F:Steel DC03A EN 10130		
		Scale 1:5		Replaced by		
		OWNERSHIP OF THIS DRAWING IS RESERVED BY LAW AND MAY NOT BE REPRODUCED IN WHOLE OR IN PART WITHOUT PERMISSION OF PADOAN S.R.L.			DO NOT MAKE MEASUREMENTS ON DRAWING DO NOT CHANGE WITHOUT TECHNICAL OFFICE AUTHORIZATION	