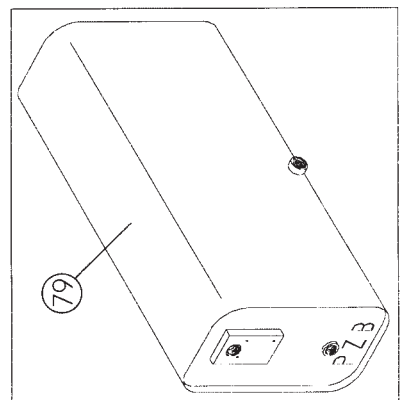
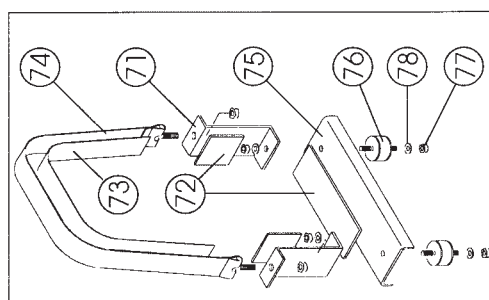
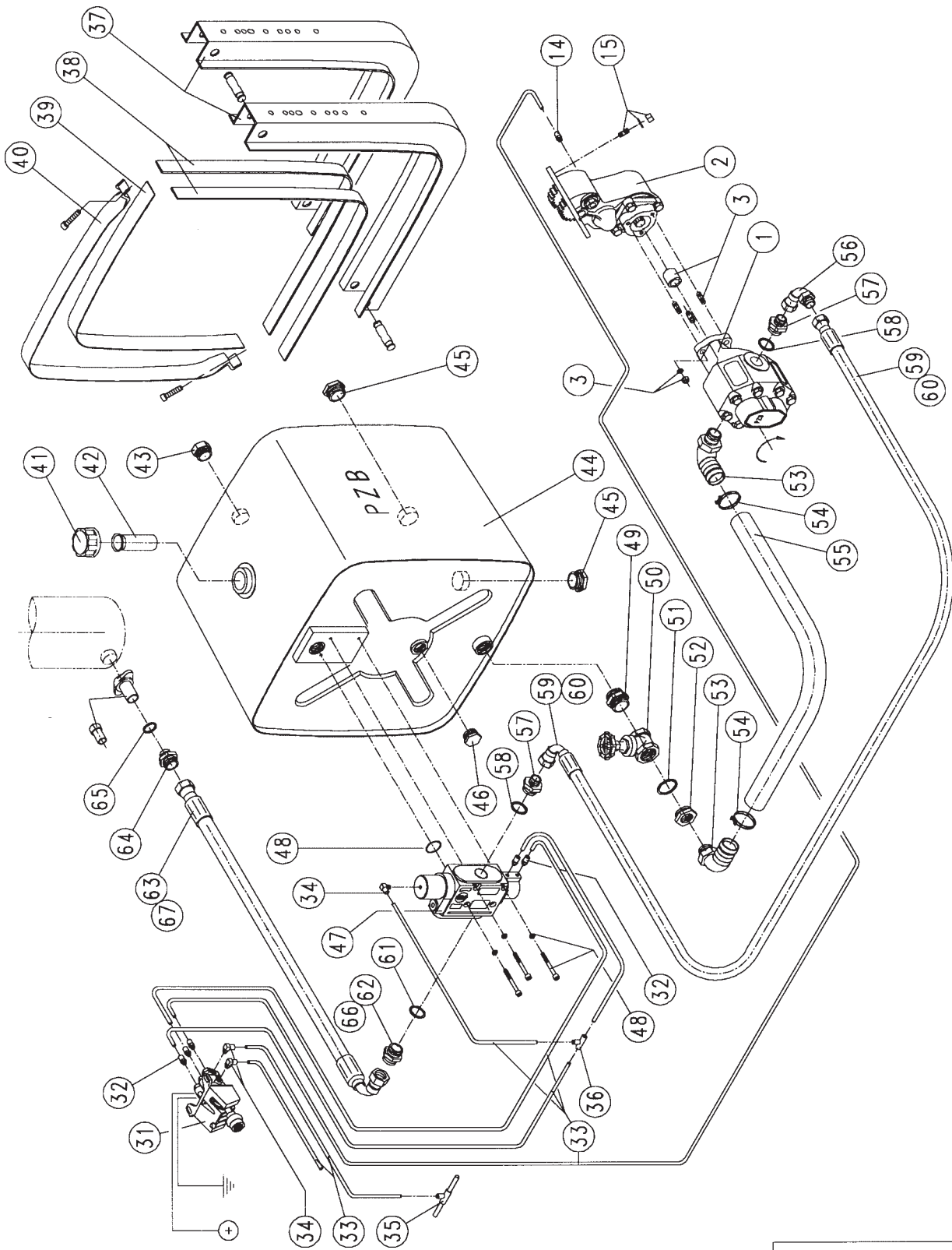


IVECO



REF.	CODE N°	DESCRIPTION	Q.TY	KIT CODE N°	KIT DESCRIPTION
1	3.1.2.3.083.1.0.0	XP 83S gear pump	1	European standard	PTO/gear pump assembly gearbox EATON TWINSPLITTER side fitting
2	3.2.77.8.1.03.0.0	3 bolt PTO for EATON TWINSPLITTER side fitting	1		
3	2.05.002.0000	Kit 16 PTO/pump coupling	1		
14	0.13.00.008.00	Air fitting G1/8"	1		
15	2.05.300.0000	6 bolt M10 stud kit	1		
Pressure: 220 bar max.					
31	3.3.2.022.18.00	Modulating cab control with PTO disengagement	1	2.08.029.0000	Air control kit
32	0.13.00.008.00	Air fitting G1/8"	5		
33	0.99.00.157.00	6x4 mm air pipe, 25 m black	1		
34	0.13.00.009.00	90° air fitting G1/8"	3		
35	0.13.00.011.00	8/6 - 6/4 "T" coupling for air tubing	1		
36	0.13.00.006.00	6/4 "T" coupling for air tubing	1		
37	0.99.00.170.00	Mounting brackets for side red tanks	2	2.05.360.0000	Side red tank bracket kit
	0.99.00.294.00	Mounting brackets for side grey tanks			
38	0.99.00.173.00	40 x 5 mm, 5 m long felt strip	1	2.05.532.0000	Side grey tank bracket kit
39	0.99.00.172.00	2,5 m rubber strip	1		
40	0.99.00.171.00	Metal straps for side red tanks	2		
	0.99.00.295.00	Metal straps for side grey tanks			
41	0.12.01.069.00	Filler cap	1	2.16.017.0000 2.16.036.0000 2.16.018.0000 2.16.037.0000	Tank options: 170 l side mounted red tank kit 170 l side mounted grey tank kit 205 l side mounted red tank kit 205 l side mounted grey tank kit
42	0.99.00.189.00	Filter	1		
43	0.12.01.070.00	Level indicator	1		
44	0.99.00.166.00	170 l side mounted tank (B type)	1		
	0.99.00.167.00	205 l side mounted tank (Atype)			
45	0.12.01.032.00	G1 ³ / ₄ plug	2		
	0.08.99.003.00	G1 ³ / ₄ gasket	2		
46	0.12.01.074.00	G1" plug	1		
	0.08.99.005.00	G1" gasket	1		
71	0.99.00.175.00	Rear cab Z bracket	4		
72	0.99.00.178.00	80 x 5 mm, 0,8 m long felt strip	1		
73	0.99.00.172.00	2,5 m rubber strip	1		
74	0.99.00.177.00	Metal straps for rear cab tanks	2		
75	0.99.00.174.00	Rear cab U bracket	2		
76	0.99.00.176.00	781-091 anti-vibration mounting	4		
77	0.03.02.001.00	Self locking nut M10 UNI 7473 CL RES 10	8		
78	0.04.01.074.00	Washer 10,5 UNI 6592	8		
41	0.12.01.069.00	Filler cap	1	2.16.019.0000	195 l rear cab tank kit
42	0.99.00.189.00	Filter	1		
43	0.12.01.070.00	Level indicator	1		
79	0.99.00.168.00	195 l rear cab tank (C type)	1		
45	0.12.01.032.00	G1 ³ / ₄ plug	1		
	0.08.99.003.00	G1 ³ / ₄ gasket	1		
46	0.12.01.074.00	G1" plug	1		
	0.08.99.005.00	G1" gasket	1		
47	3.3.1.045.00.14	DP 25 tipping valve 140 bar	1	Tank mounting	Tipping valve options, to be selected according to the working pressure of the hydraulic system
	3.3.1.045.00.17	DP 25 tipping valve 170 bar			
	3.3.1.045.00.22	DP 25 tipping valve 220 bar			
	3.3.1.045.30.14	DP 25 tipping valve 140/220 bar, dual pressure			
47	3.3.1.045.20.14	DP 25 tipping valve 140 bar, with end-of-stroke	1	Frame mounting	
	3.3.1.045.20.17	DP 25 tipping valve 170 bar, with end-of-stroke			
	3.3.1.045.20.22	DP 25 tipping valve 220 bar, with end-of-stroke			
48	2.05.365.0000	Stud kit	1	2.05.365.0000	Stud kit for tank mounting of DP 25
	2.05.372.0000	Stud kit, for frame mounted tipping valve	1	2.05.372.0000	Stud kit for frame mounted tipping valve
49	1.10.02.057.00	G1 ³ / ₄ -G1 ¹ / ₂ M/M adaptor	1	2.99.045.0000	Suction hose kit
50	0.99.00.181.00	Isolating valve	1		
51	0.04.01.118.00	G1 ³ / ₄ copper washer	1		
52	1.10.02.058.00	G1 ³ / ₄ - G1" M/F adaptor	1		
53	2.17.008.0000	G1" swivel suction elbow, 90° swept	2		
54	0.99.00.180.00	Hose clip	2		
55	0.99.00.179.00	45 mm i.d., 2 m long suction hose	1		
56	0.13.00.019.00	G ³ / ₄ " M/F elbow	1	2.99.055.0000	Pump-valve hose kit 140-220 bar
57	0.13.00.021.00	G1" - G ³ / ₄ " M/M adaptor	2		
58	0.04.01.119.00	G1" copper washer	2		
59	0.99.00.182.00	G ³ / ₄ ", 2 m long hose (Flexopak2)	1		
61	0.04.01.119.00	G1" copper washer	1	2.99.075.0000	Valve-cylinder hose kit 140-170 bar for tipping cylinders having 1" BSP male or ³ / ₄ " BSP female inlet port
62	0.13.00.022.00	G1" - G1" M/M adaptor	1		
63	0.99.00.184.00	G1", 4 m long hose (Flexopak2)	1		
64	0.13.00.021.00	G1" - G ³ / ₄ " M/M adaptor	1		
65	0.04.01.120.00	G ³ / ₄ " copper washer	1		
When fitting P1 pumps 12 to 60cc or XP 84 - 100 - 116 gear pumps required G1 ³ / ₄ -G1" M/F adaptor code 1.10.02.058.00 and G1 ³ / ₄ copper washer code 0.04.01.118.00					