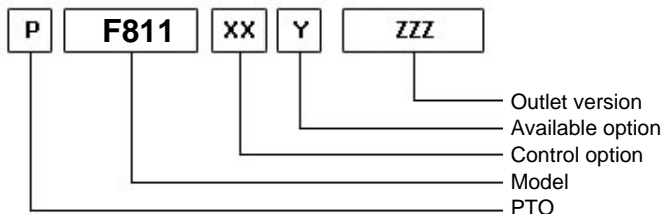
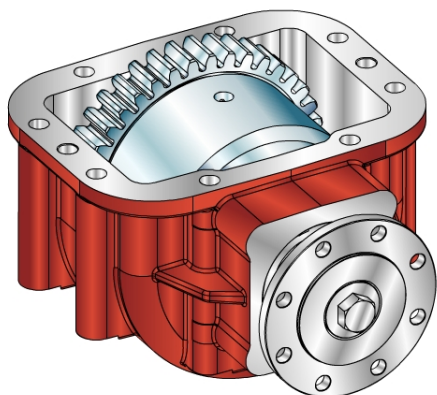




#PTO LATERALE HD CON FRIZIONE



	Output 1		Number of teeth	39
Torque (Nm)	900		Module	4,23
Int. ratio	1		Replace	
Number of axles	1		Replaced by	

07/03/2019

Command type

- Electric
 Hydraulic
 Mechanic
 Fixed engagement
 Pneumatic
 Vacuum system

