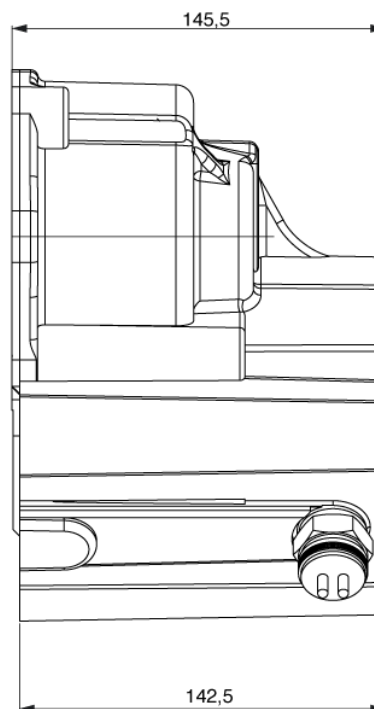
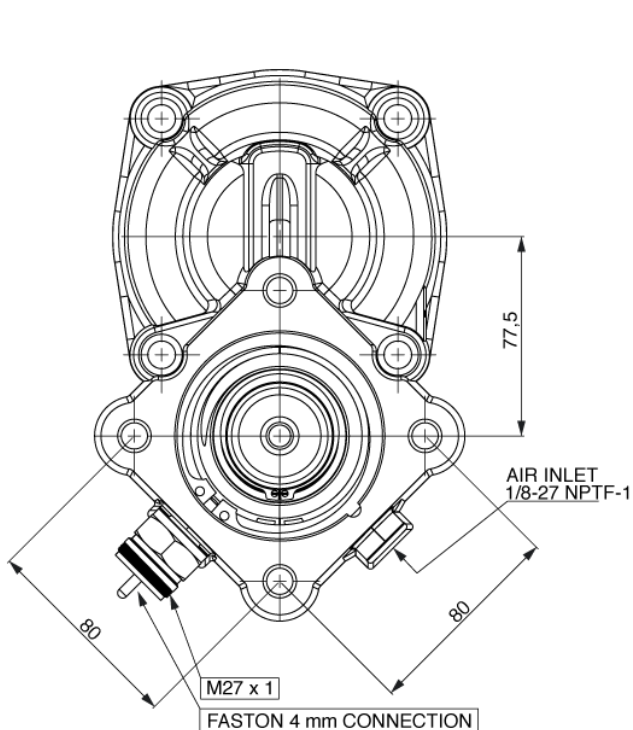


	Output 1		Number of teeth	15
Torque (Nm)	500		Module	2,54
Int. ratio	1,21		Replace	
Number of axles	2		Replaced by	

03/05/2011

Command type

- Electric
 Hydraulic
 Mechanical
 Fixed engagement
 Pneumatic
 Vacuum system



VEHICLE MOTION DIRECTION

