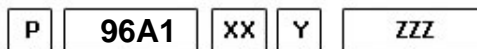
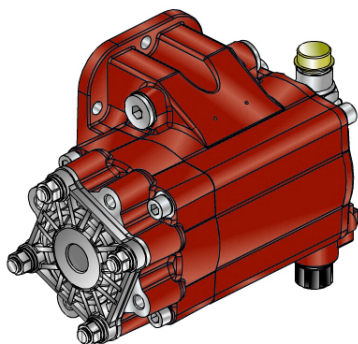




#PTO LAT. H. D. ALLISON S2000



Outlet version
 Available option
 Control option
 Model
 PTO

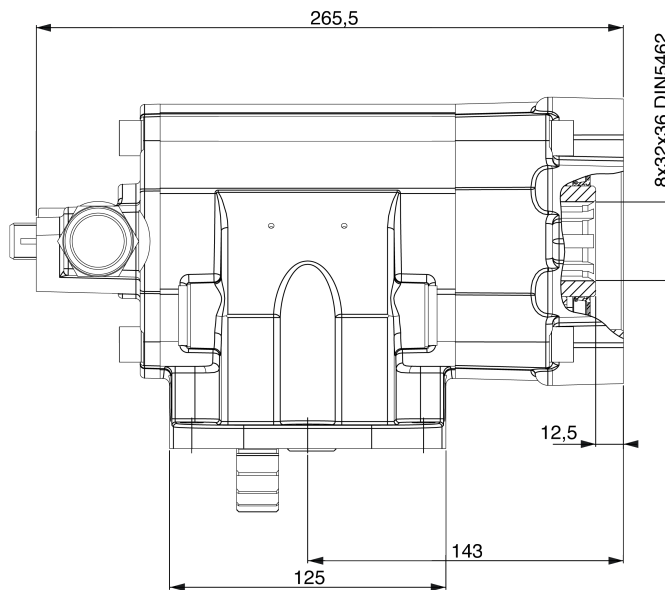
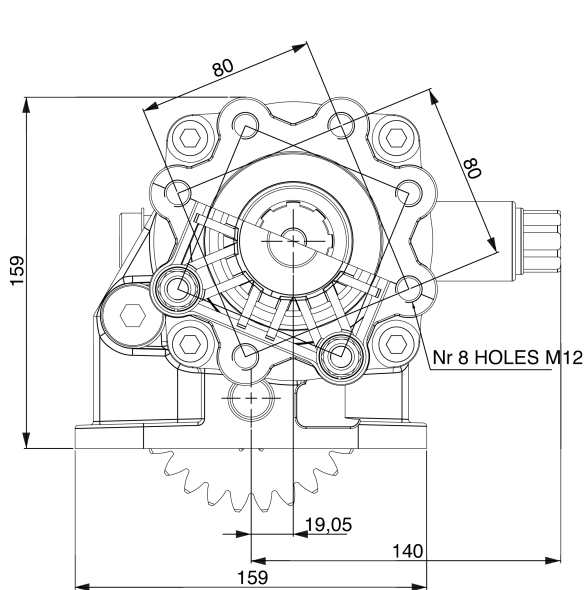
	Output 1	
Torque (Nm)	320	
Int. ratio	0,4	
Number of axles	2	

Number of teeth	26
Module	3,7
Replace	2
Replaced by	

28/11/2013

Command type

Electric Hydraulic Mechanical Fixed engagement Pneumatic Vacuum system



VEHICLE MOTION DIRECTION

