

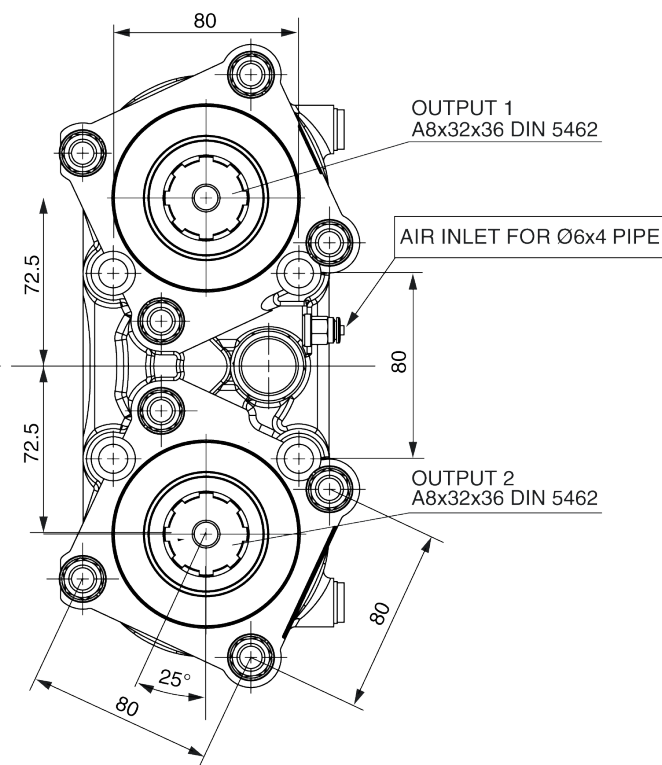
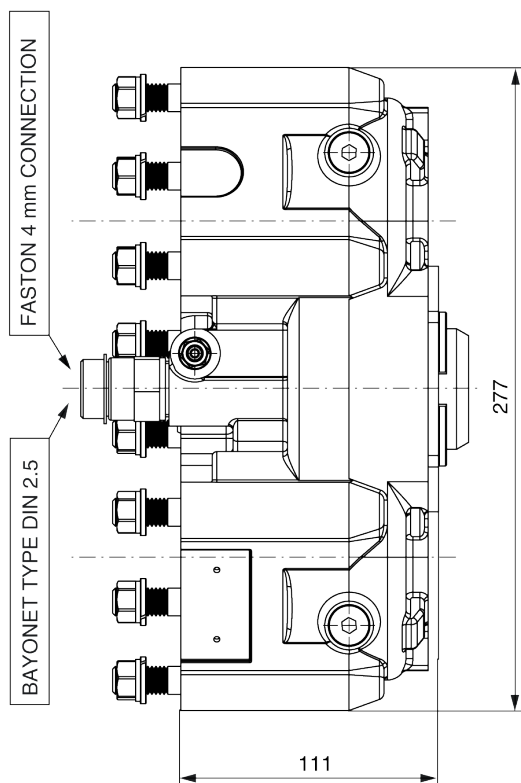
- Outlet version
- Outlet control option
- Available option
- Control option
- Model
- PTO

	Output 1	Output 2	Number of teeth	12
Torque (Nm)	500	500	Module	3
Int. ratio	0,92	0,92	Replace	
Number of axles	2	2	Replaced by	

07/04/2011

Command type

- Electric
 Hydraulic
 Mechanic
 Fixed engagement
 Pneumatic
 Vacuum system



VEHICLE MOTION DIRECTION

