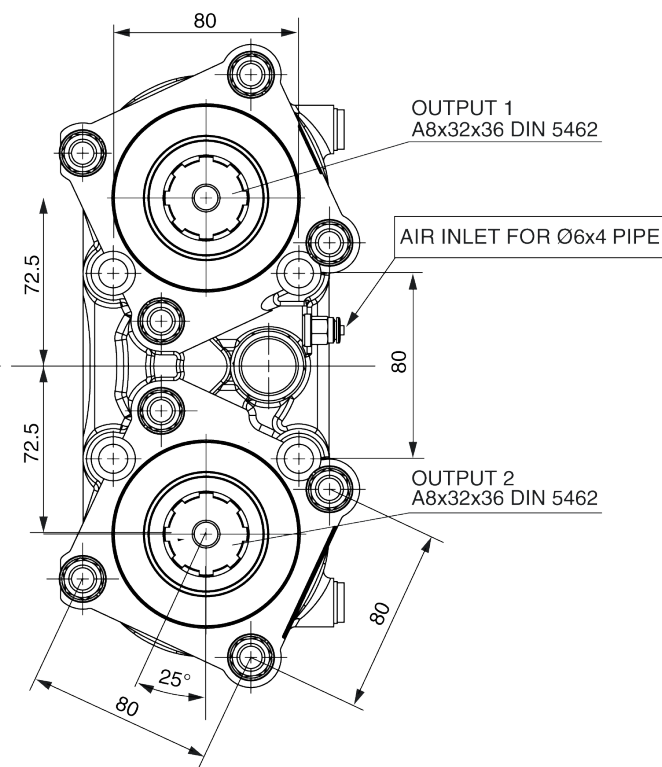
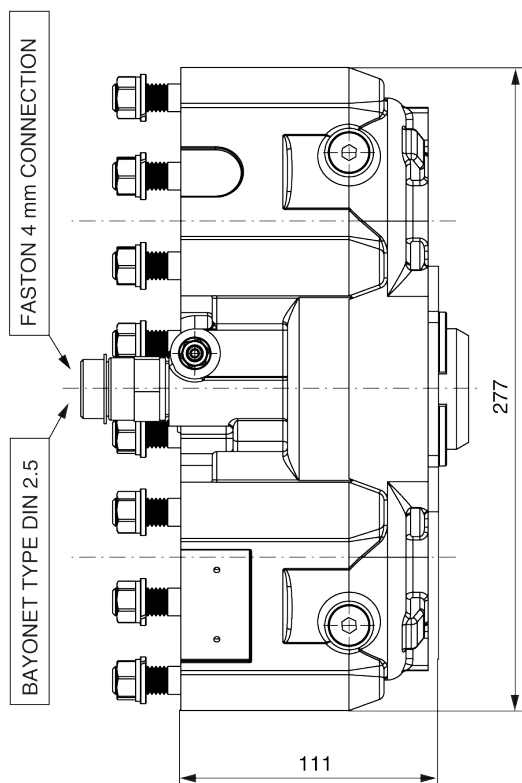


	Output 1	Output 2	Number of teeth	12
Torque (Nm)	450	450	Module	3
Int. ratio	1,33	1,33	Replace	
Number of axles	2	2	Replaced by	

07/04/2011

Command type

Electric
 Hydraulic
 Mechanic
 Fixed engagement
 Pneumatic
 Vacuum system



VEHICLE MOTION DIRECTION

