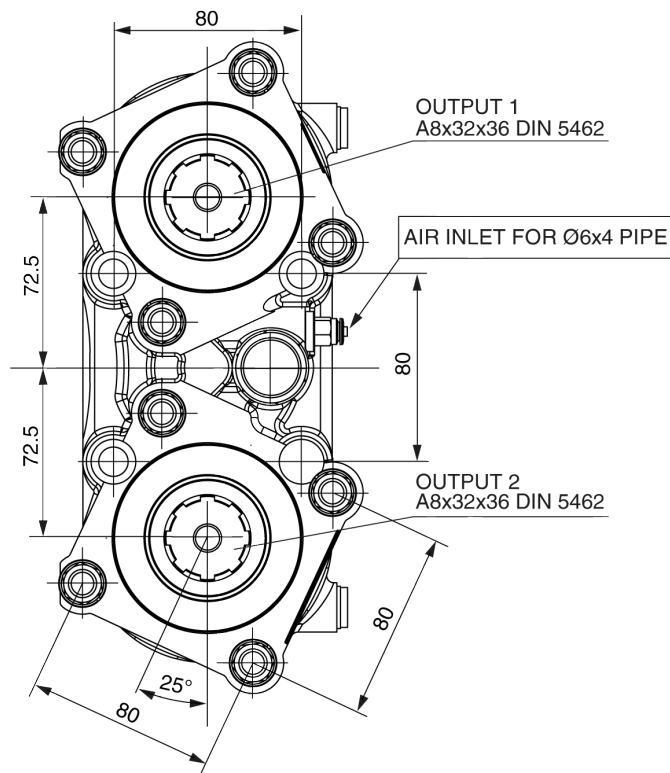
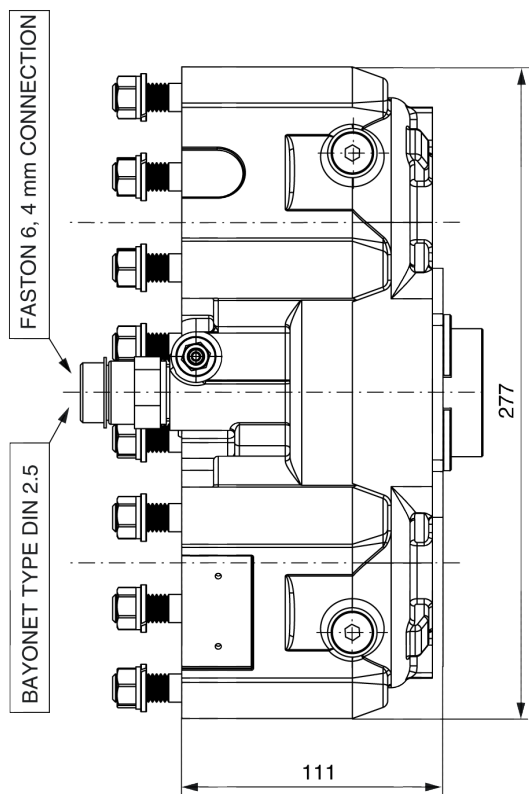


| | | | | |
|------------------------|-----------------|-----------------|------------------------|------|
| | Output 1 | Output 2 | Number of teeth | 12 |
| Torque (Nm) | 500 | 500 | Module | 3,25 |
| Int. ratio | 0,92 | 0,92 | Replace | |
| Number of axles | 2 | 2 | Replaced by | |

11/01/2017

Command type

- Electric
 Hydraulic
 Mechanical
 Fixed engagement
 Pneumatic
 Vacuum system



VEHICLE MOTION DIRECTION

