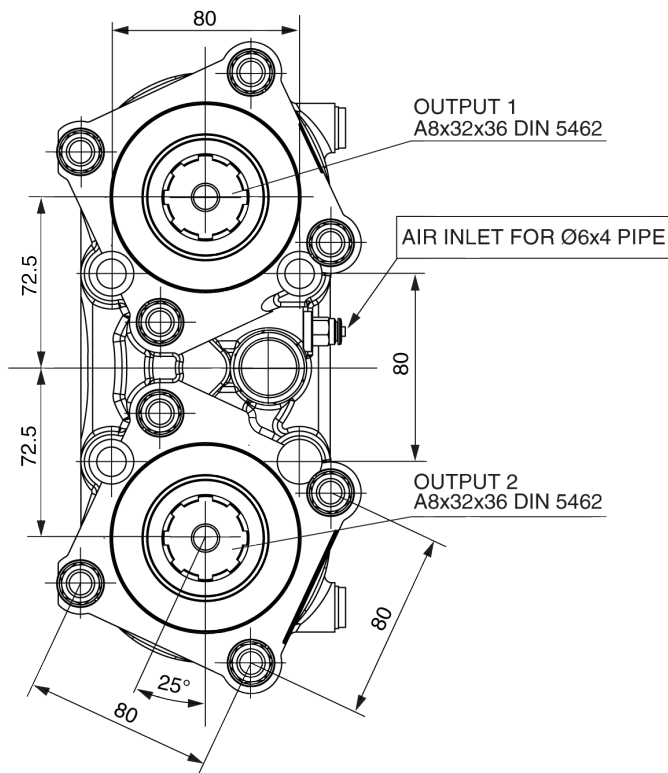
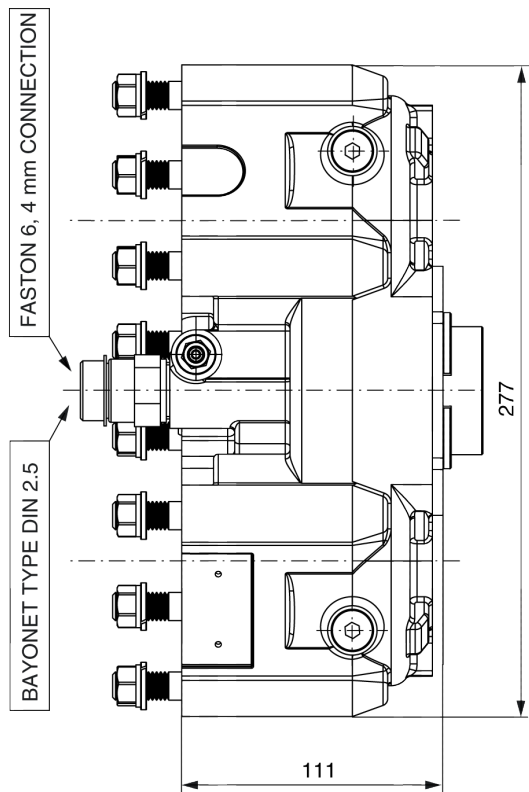


	Output 1	Output 2	Number of teeth	12
Torque (Nm)	400	400	Module	3,25
Int. ratio	1,58	1,58	Replace	
Number of axles	2	2	Replaced by	

11/01/2017

Command type

Electric
 Hydraulic
 Mechanical
 Fixed engagement
 Pneumatic
 Vacuum system



VEHICLE MOTION DIRECTION

