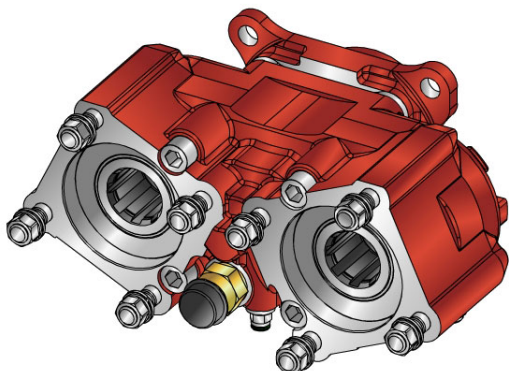




### #PTO POS. M.D. D.U. VOLVO VT/C



P 93VN XX Y K Z1 Z2

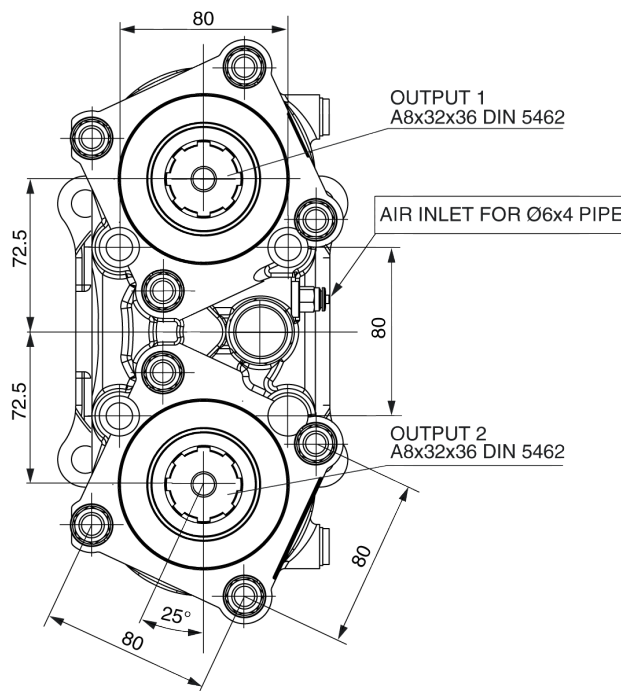
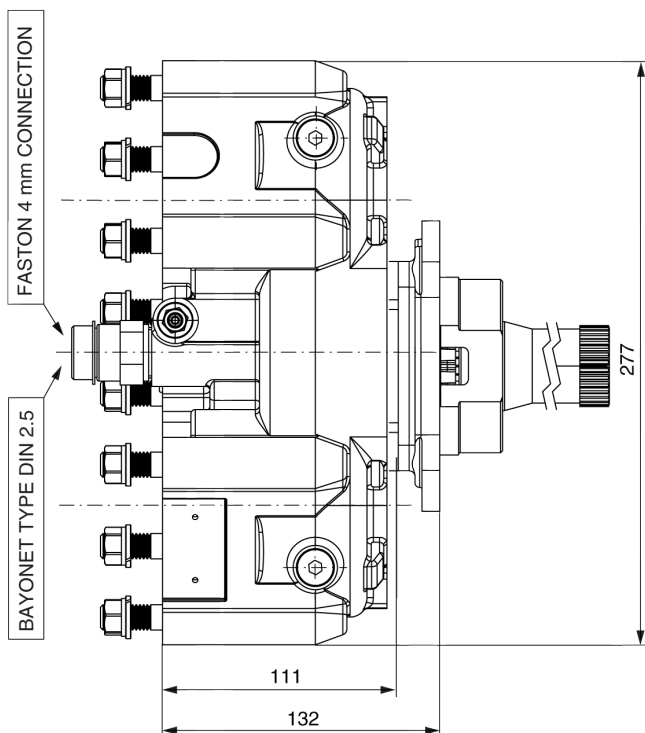
- Outlet version
- Outlet control option
- Available option
- Control option
- Model
- PTO

	<b>Output 1</b>	<b>Output 2</b>	<b>Number of teeth</b>	12
<b>Torque (Nm)</b>	500	500	<b>Module</b>	3,25
<b>Int. ratio</b>	0,92	0,92	<b>Replace</b>	
<b>Number of axles</b>	2	2	<b>Replaced by</b>	

07/04/2011

### Command type

- Electric    
  Hydraulic    
  Mechanical    
  Fixed engagement    
  Pneumatic    
  Vacuum system



VEHICLE MOTION DIRECTION

