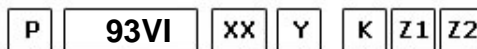
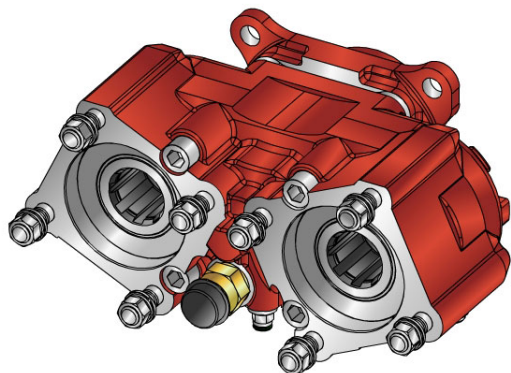




#PTO POS. M.D. D.U. VOLVO VT/C



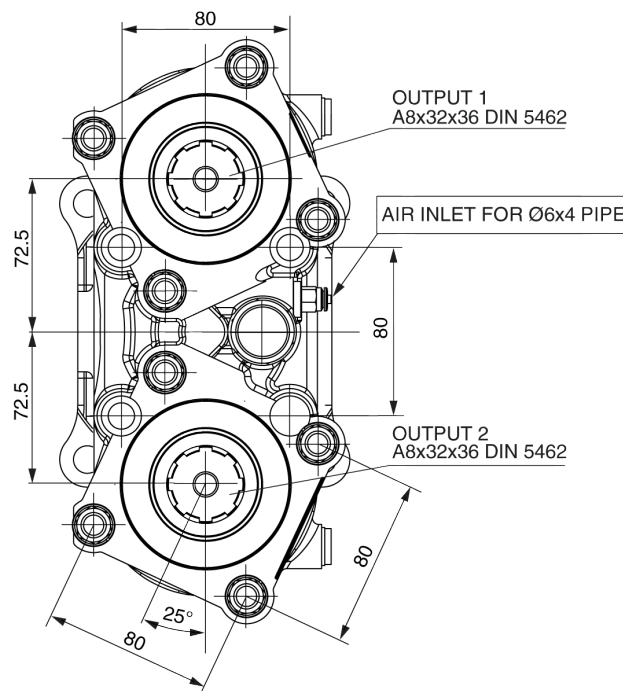
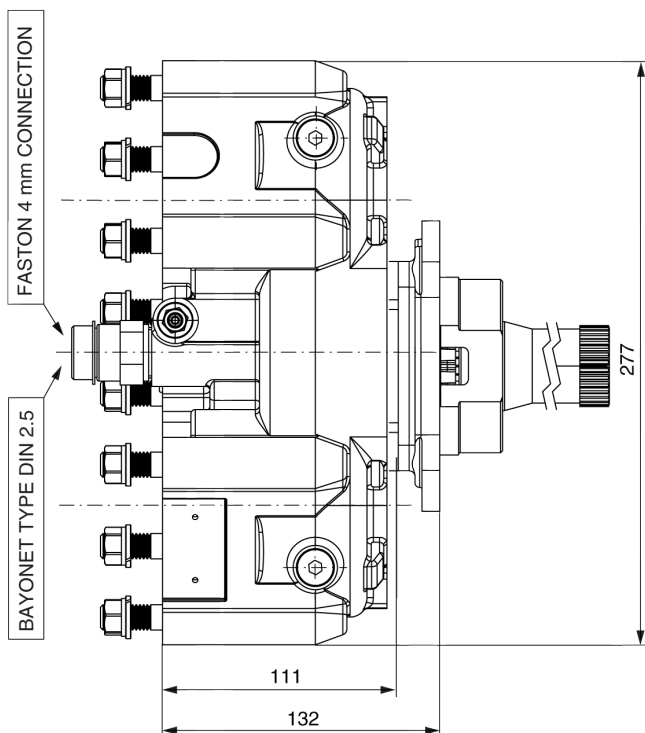
- Outlet version
- Outlet control option
- Available option
- Control option
- Model
- PTO

	Output 1	Output 2	Number of teeth	12
Torque (Nm)	350	350	Module	3,25
Int. ratio	1,8	1,8	Replace	
Number of axles	2	2	Replaced by	

07/04/2011

Command type

Electric
 Hydraulic
 Mechanical
 Fixed engagement
 Pneumatic
 Vacuum system



VEHICLE MOTION DIRECTION

