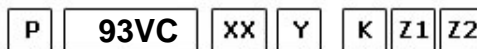
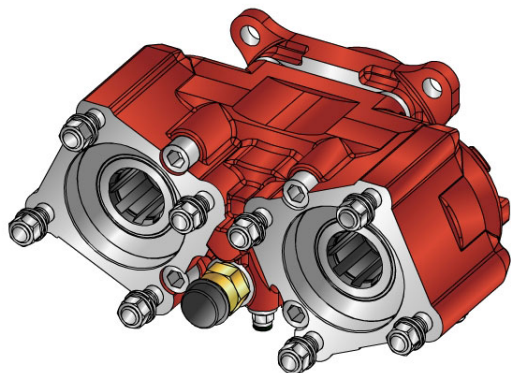




### #PTO POS. M.D. D.U. VOLVO VT



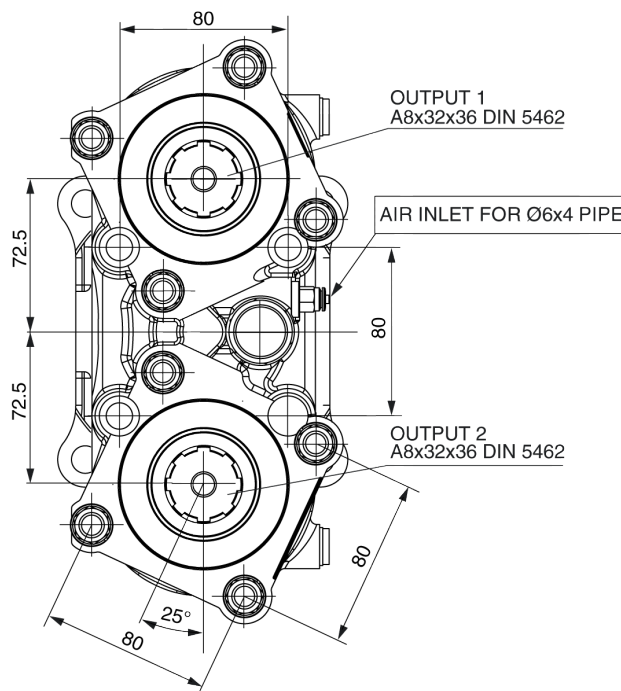
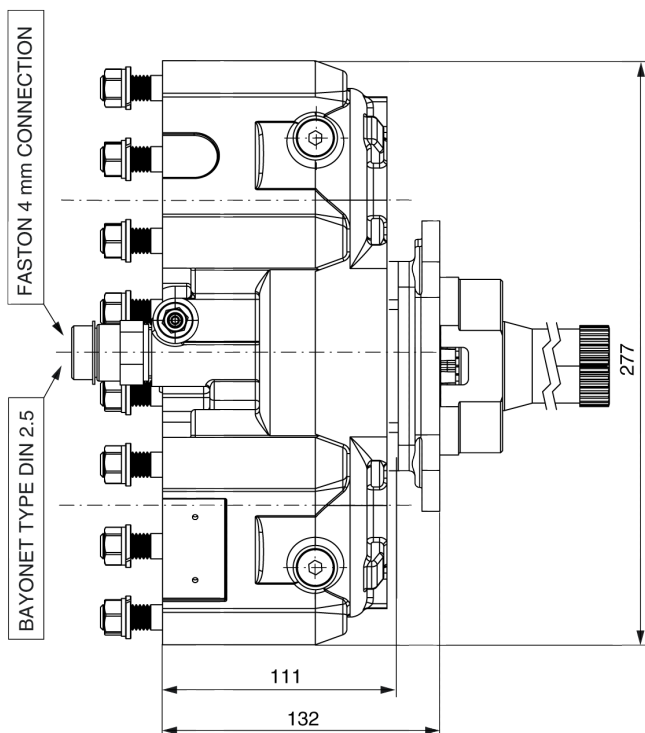
- Outlet version
- Outlet control option
- Available option
- Control option
- Model
- PTO

	<b>Output 1</b>	<b>Output 2</b>	<b>Number of teeth</b>	12
<b>Torque (Nm)</b>	450	450	<b>Module</b>	3,25
<b>Int. ratio</b>	1,33	1,33	<b>Replace</b>	
<b>Number of axles</b>	2	2	<b>Replaced by</b>	

07/04/2011

### Command type

- Electric     
  Hydraulic     
  Mechanical     
  Fixed engagement     
  Pneumatic     
  Vacuum system



VEHICLE MOTION DIRECTION

