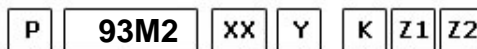
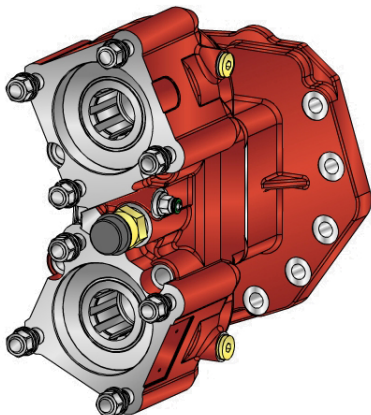




### #PTO POS. M. D. D.U. MERCEDES G240 (ACTROS)



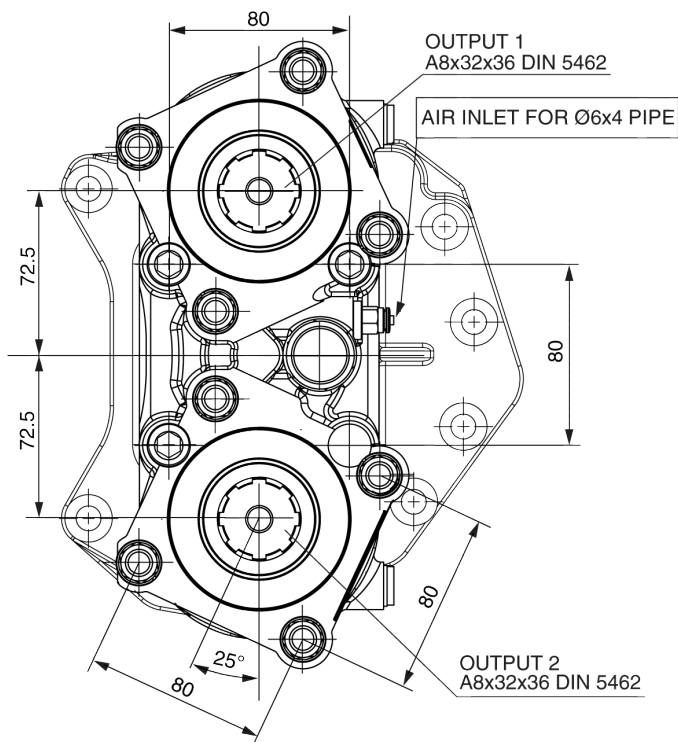
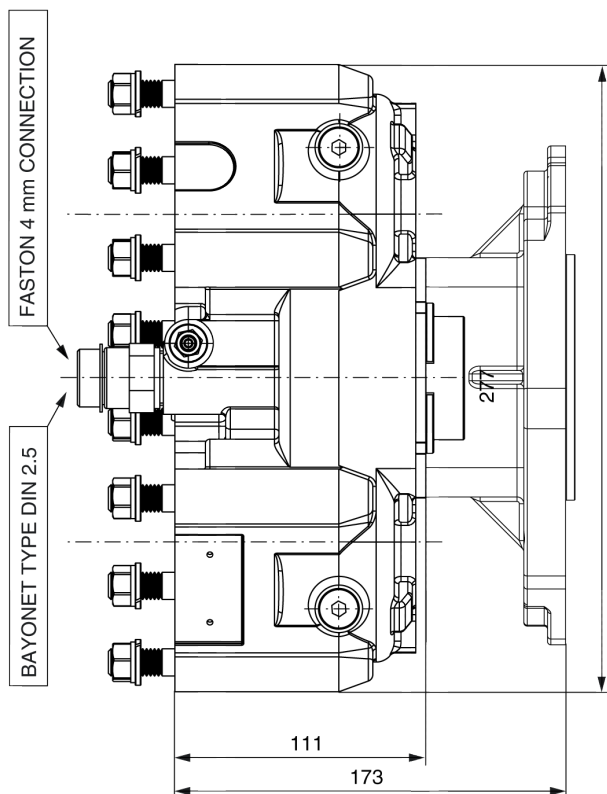
- Outlet version
- Outlet control option
- Available option
- Control option
- Model
- PTO

	<b>Output 1</b>	<b>Output 2</b>	<b>Number of teeth</b>	12
<b>Torque (Nm)</b>	400	400	<b>Module</b>	3
<b>Int. ratio</b>	1,58	1,58	<b>Replace</b>	
<b>Number of axles</b>	2	2	<b>Replaced by</b>	

15/02/2011

### Command type

- Electric    
  Hydraulic    
  Mechanical    
  Fixed engagement    
  Pneumatic    
  Vacuum system



VEHICLE MOTION DIRECTION

