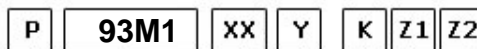
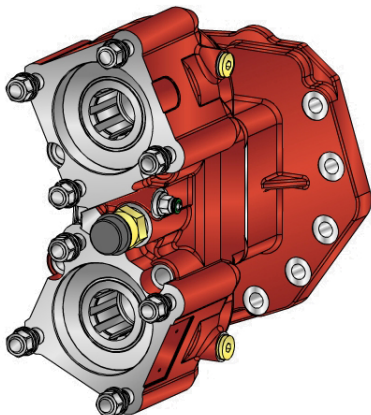




#PTO POS. M. D. D.U. MERCEDES G240 (ACTROS)



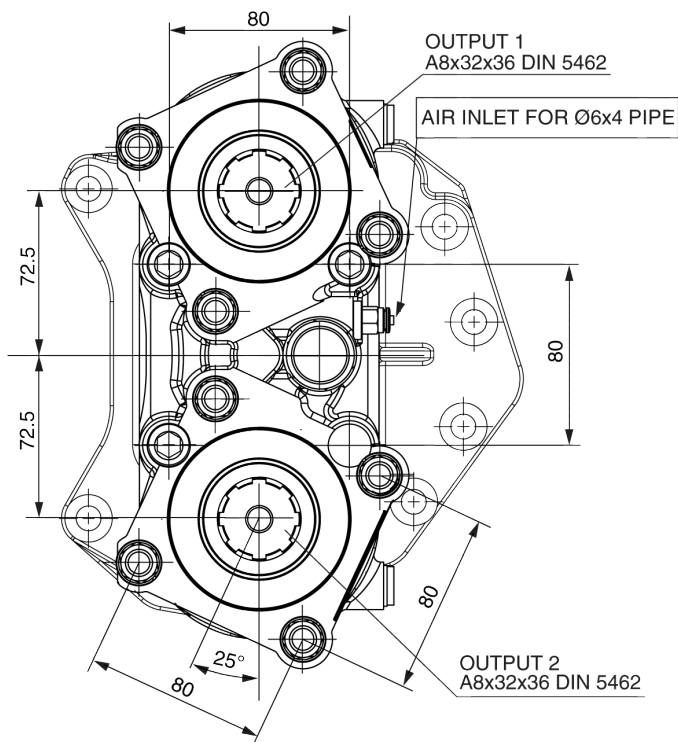
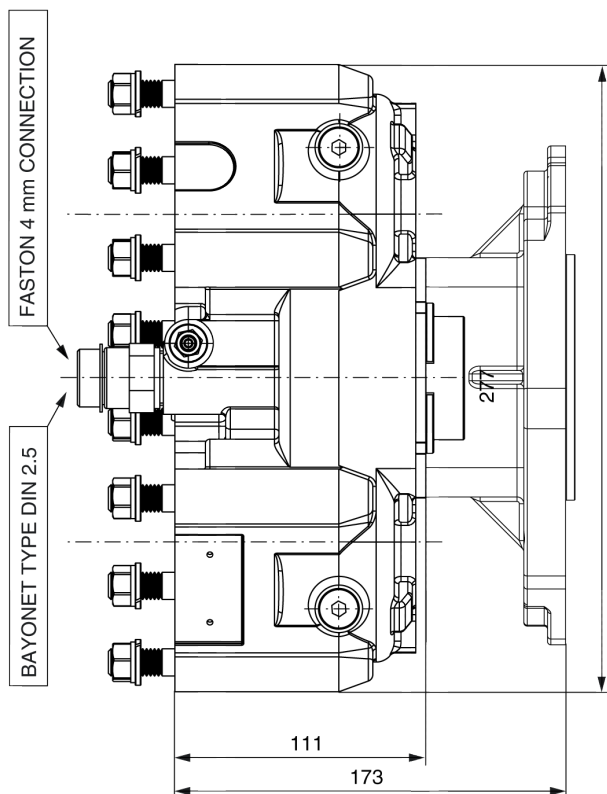
- Outlet version
- Outlet control option
- Available option
- Control option
- Model
- PTO

	Output 1	Output 2	Number of teeth	12
Torque (Nm)	350	350	Module	3
Int. ratio	1,8	1,8	Replace	
Number of axles	2	2	Replaced by	

15/02/2011

Command type

Electric
 Hydraulic
 Mechanical
 Fixed engagement
 Pneumatic
 Vacuum system



VEHICLE MOTION DIRECTION

