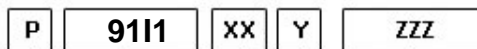
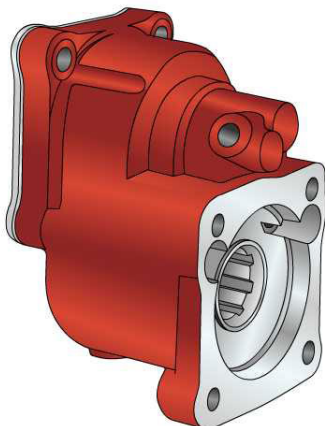




#PTO POST. PER CAMBI IVECO



- Outlet version
- Available option
- Control option
- Model
- PTO

	Output 1		Number of teeth	24
Torque (Nm)	300		Module	3
Int. ratio	1,34		Replace	
Number of axles	2		Replaced by	

22/01/2007

Command type

Electric
 Hydraulic
 Mechanic
 Fixed engagement
 Pneumatic
 Vacuum system

