



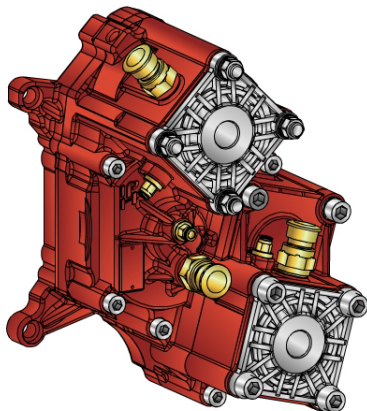
# Hydrocar®

D01H-0-03 - Pagina WebPTO HY - rev. 0

## 90ZE



### #PTO POS. H. D. D.U. ZF AS TRONIC



P 90ZE XX Y K Z1 Z2

- Outlet version
- Outlet control option
- Available option
- Control option
- Model
- PTO

	<b>Output 1</b>	<b>Output 2</b>	<b>Number of teeth</b>	12
<b>Torque (Nm)</b>	800	800	<b>Module</b>	3,25
<b>Int. ratio</b>	1,21	0,96	<b>Replace</b>	
<b>Number of axles</b>	2	2	<b>Replaced by</b>	

31/01/2014

### Command type

Electric     
  Hydraulic     
  Mechanical     
  Fixed engagement     
  Pneumatic     
  Vacuum system

