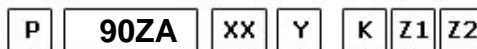
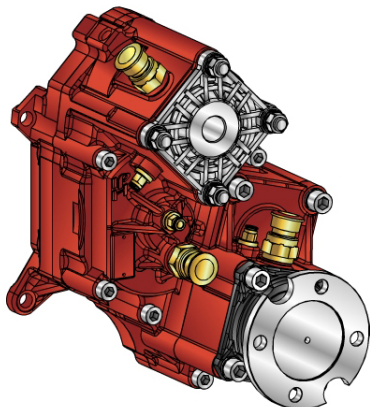




#PTO POS. H. D. D.U. ZF ECOSPLIT



- Outlet version
- Outlet control option
- Available option
- Control option
- Model
- PTO

	Output 1	Output 2	Number of teeth	12
Torque (Nm)	800	500	Module	3,25
Int. ratio	1,21	1,6	Replace	908
Number of axles	2	3	Replaced by	

31/01/2014

Command type

- Electric
 Hydraulic
 Mechanic
 Fixed engagement
 Pneumatic
 Vacuum system

