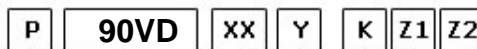
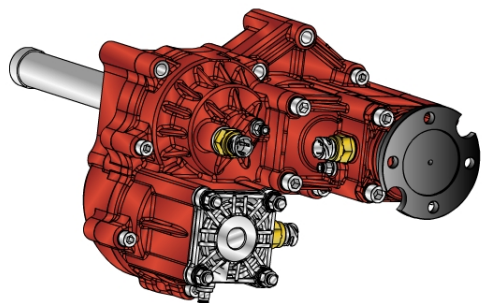




### #PTO POS. H. D. D.U. VOLVO VT CON RETARDER



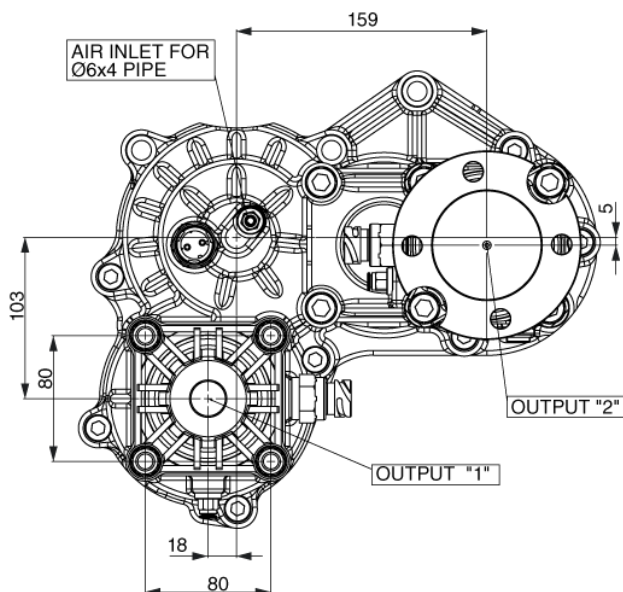
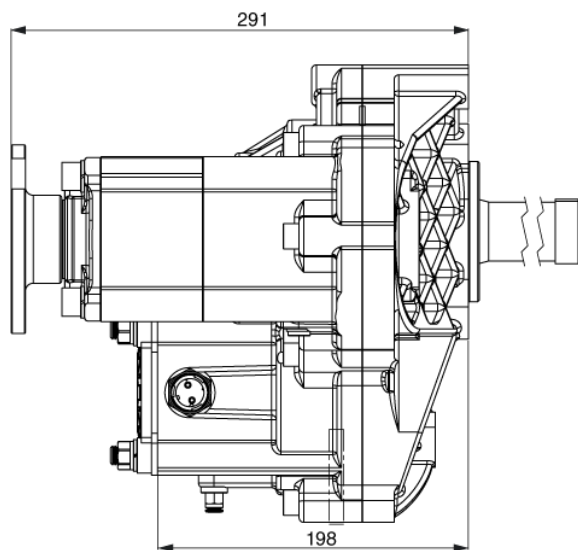
- Outlet version
- Outlet control option
- Available option
- Control option
- Model
- PTO

	Output 1	Output 2	Number of teeth	12
<b>Torque (Nm)</b>	800	500	<b>Module</b>	3,25
<b>Int. ratio</b>	1,45	1,94	<b>Replace</b>	904
<b>Number of axles</b>	2	3	<b>Replaced by</b>	

31/01/2014

### Command type

- Electric     
  Hydraulic     
  Mechanical     
  Fixed engagement     
  Pneumatic     
  Vacuum system



VEHICLE MOTION DIRECTION

