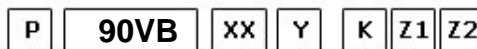
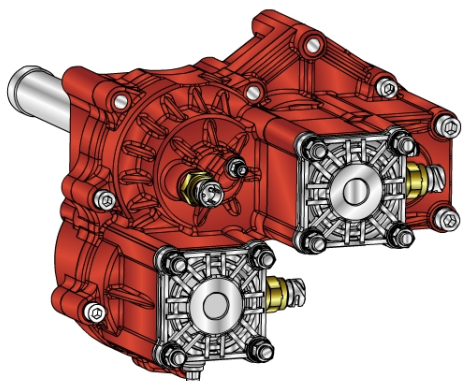




#PTO POS. H. D. D.U. VOLVO VT



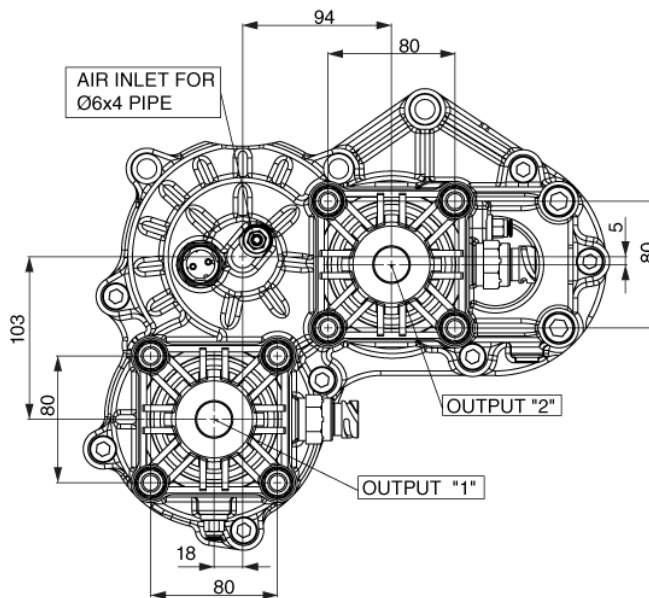
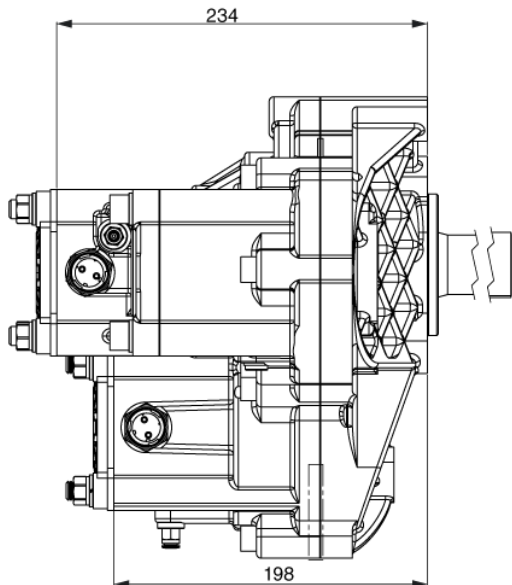
Outlet version
 Outlet control option
 Available option
 Control option
 Model
 PTO

	Output 1	Output 2	Number of teeth	12
Torque (Nm)	800	800	Module	3,25
Int. ratio	0,96	1,21	Replace	905
Number of axles	2	2	Replaced by	

31/01/2014

Command type

Electric Hydraulic Mechanical Fixed engagement Pneumatic Vacuum system



VEHICLE MOTION DIRECTION

