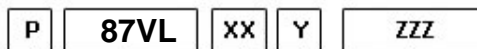
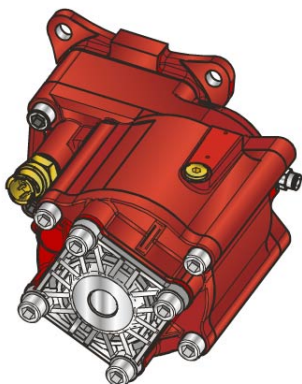




##PTO POS. M. D. VOLVO VT 2412 C



Outlet version
 Available option
 Control option
 Model
 PTO

	Output 1		Number of teeth	12
Torque (Nm)	450		Module	3,25
Int. ratio	1,33		Replace	
Number of axles	2		Replaced by	

28/02/2006

Command type

Electric Hydraulic Mechanic Fixed engagement Pneumatic Vacuum system

