

Outlet version
Available option
Control option
Model
PTO

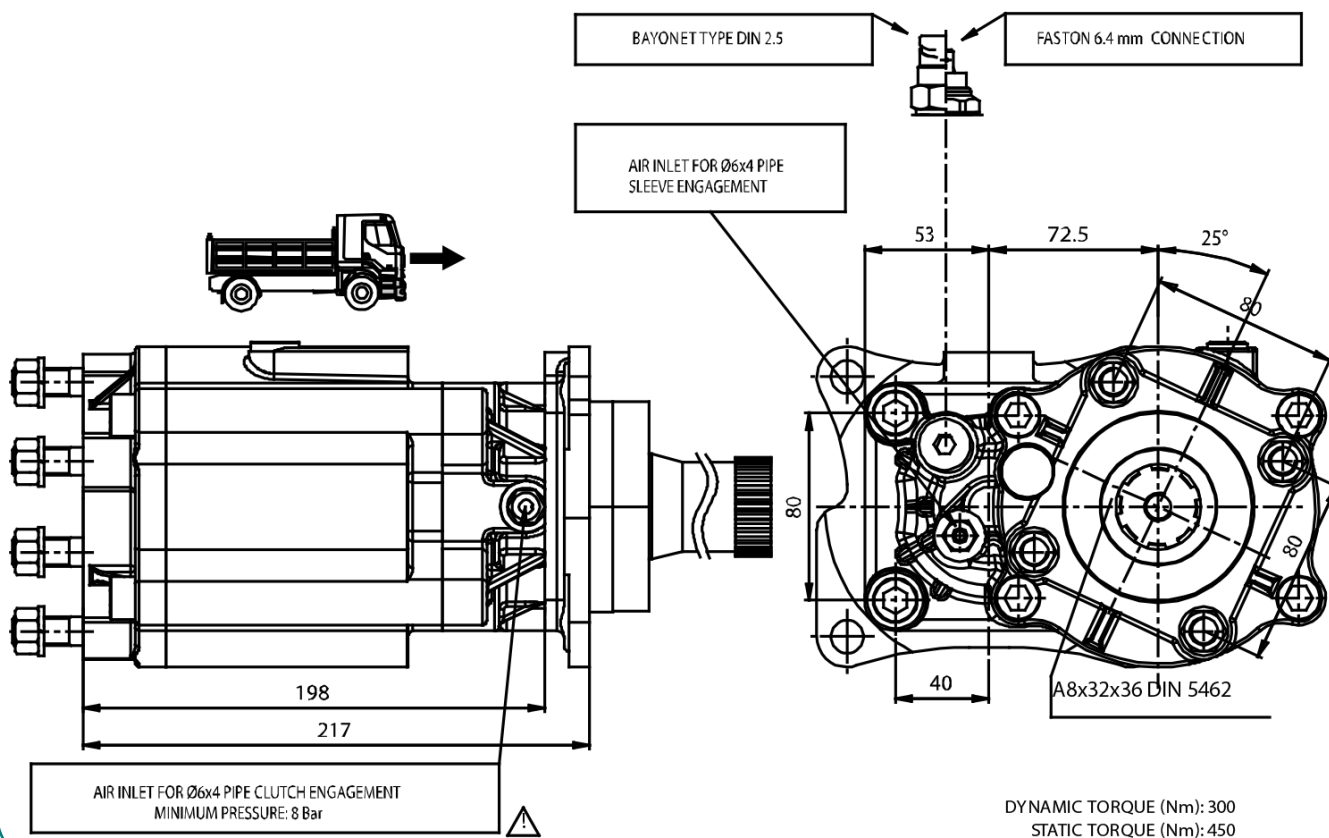
	Output 1	
Torque (Nm)	450	
Int. ratio	1,33	
Number of axles	2	

Number of teeth	12
Module	3,25
Replace	984
Replaced by	

28/02/2006

Command type

Electric Hydraulic Mechanic Fixed engagement Pneumatic Vacuum system



DYNAMIC TORQUE (Nm): 300
STATIC TORQUE (Nm): 450

