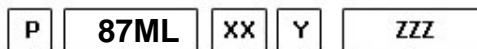
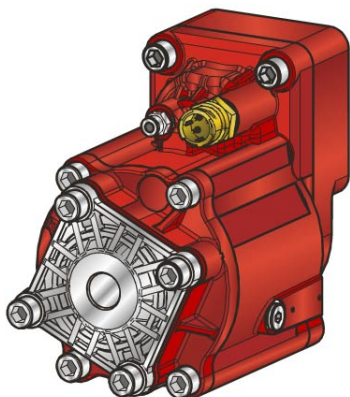




##PTO POS. M. D. MERCEDES G60-G85



Outlet version
Available option
Control option
Model
PTO

	Output 1		Number of teeth	17
Torque (Nm)	400		Module	2
Int. ratio	1,58		Replace	
Number of axles	2		Replaced by	

20/06/2014

Command type

Electric Hydraulic Mechanical Fixed engagement Pneumatic Vacuum system

