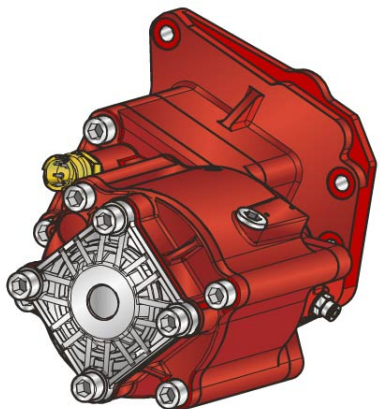




#PTO POS. M. D. MERCEDES G240 (ACTROS)



P 87M2 XX Y ZZZ

Outlet version
Available option
Control option
Model
PTO

	Output 1	
Torque (Nm)	400	
Int. ratio	1,58	
Number of axles	2	

Number of teeth	12
Module	3
Replace	
Replaced by	

15/09/2006

Command type

Electric Hydraulic Mechanical Fixed engagement Pneumatic Vacuum system

