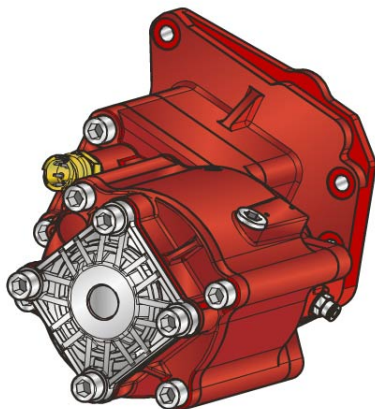




#PTO POS. M. D. MERCEDES G240 (ACTROS)



P	87M1	XX	Y	ZZZ
---	------	----	---	-----

- Outlet version
- Available option
- Control option
- Model
- PTO

	Output 1	
Torque (Nm)	350	
Int. ratio	1,8	
Number of axles	2	

Number of teeth	12
Module	3
Replace	
Replaced by	

15/09/2006

Command type

Electric
 Hydraulic
 Mechanical
 Fixed engagement
 Pneumatic
 Vacuum system

