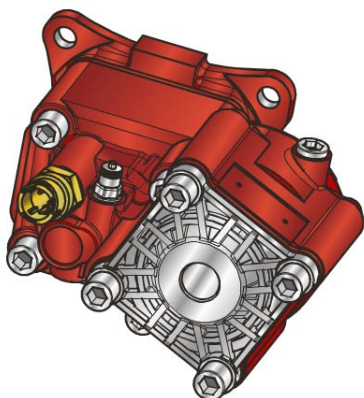




##PTO POS. M. D. VOLVO VT 2412C



P **86VM** **XX** **Y** **ZZZ**

- Outlet version
- Available option
- Control option
- Model
- PTO

	Output 1	
Torque (Nm)	450	
Int. ratio	1,33	
Number of axles	2	

Number of teeth	12
Module	3,25
Replace	
Replaced by	

15/02/2011

Command type

Electric
 Hydraulic
 Mechanical
 Fixed engagement
 Pneumatic
 Vacuum system

