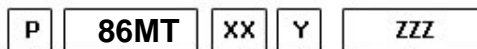
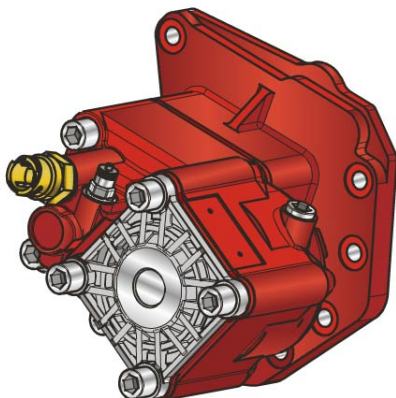




#PTO POS. M. D. MERCEDES G211



Outlet version
 Available option
 Control option
 Model
 PTO

	Output 1	
Torque (Nm)	400	
Int. ratio	1,58	
Number of axles	2	

Number of teeth	12
Module	3
Replace	
Replaced by	

Command type

Electric
 Hydraulic
 Mechanical
 Fixed engagement
 Pneumatic
 Vacuum system

