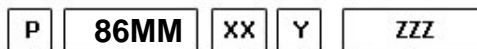
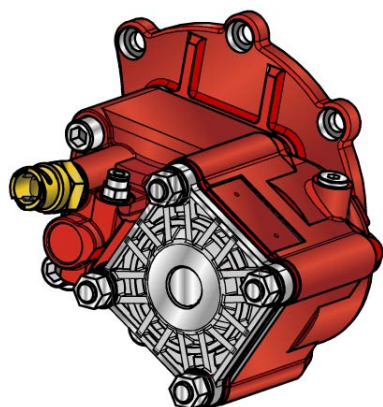




### ##PTO POS. M. D. MERCEDES G60-G85



- Outlet version
- Available option
- Control option
- Model
- PTO

	<b>Output 1</b>		<b>Number of teeth</b>	17
<b>Torque (Nm)</b>	450		<b>Module</b>	2
<b>Int. ratio</b>	1,33		<b>Replace</b>	
<b>Number of axles</b>	2		<b>Replaced by</b>	

15/02/2011

### Command type

- Electric    
  Hydraulic    
  Mechanic    
  Fixed engagement    
  Pneumatic    
  Vacuum system

