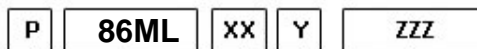
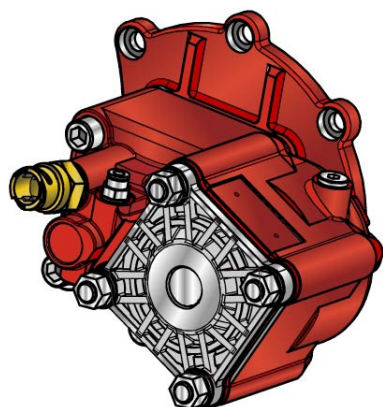




##PTO POS. M. D. MERCEDES G60-G85



Outlet version
 Available option
 Control option
 Model
 PTO

	Output 1		Number of teeth	17
Torque (Nm)	400		Module	2
Int. ratio	1,58		Replace	
Number of axles	2		Replaced by	

15/02/2011

Command type

- Electric
 Hydraulic
 Mechanic
 Fixed engagement
 Pneumatic
 Vacuum system

