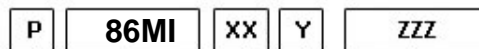
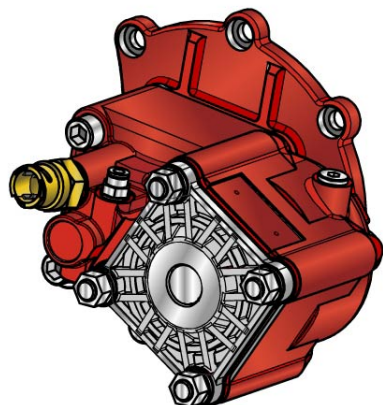




#PTO POS. M. D. MERCEDES G60-G85



Outlet version
Available option
Control option
Model
PTO

	Output 1		Number of teeth	17
Torque (Nm)	350		Module	2
Int. ratio	1,8		Replace	
Number of axles	2		Replaced by	

15/02/2011

Command type

Electric Hydraulic Mechanic Fixed engagement Pneumatic Vacuum system

