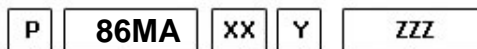
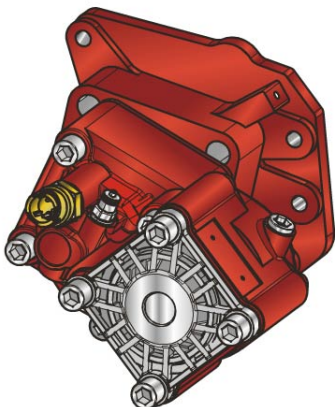




### #PTO POS. M. D. MERCEDES G100 (ATEGO)



Outlet version  
 Available option  
 Control option  
 Model  
 PTO

	<b>Output 1</b>		<b>Number of teeth</b>	12
<b>Torque (Nm)</b>	350		<b>Module</b>	3
<b>Int. ratio</b>	1,8		<b>Replace</b>	
<b>Number of axles</b>	2		<b>Replaced by</b>	

15/02/2011

### Command type

- Electric    
  Hydraulic    
  Mechanical    
  Fixed engagement    
  Pneumatic    
  Vacuum system

