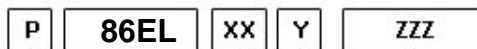
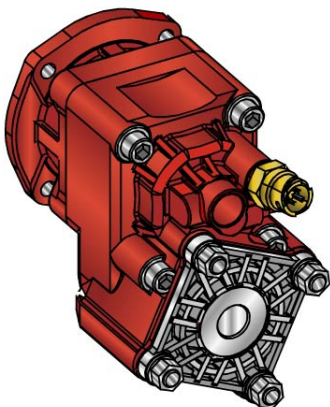




### #PTO POS. EATON AMERICANI



Outlet version  
 Available option  
 Control option  
 Model  
 PTO

	<b>Output 1</b>		<b>Number of teeth</b>	26
<b>Torque (Nm)</b>	400		<b>Module</b>	1,27
<b>Int. ratio</b>	1,58		<b>Replace</b>	
<b>Number of axles</b>	2		<b>Replaced by</b>	

28/02/2006

### Command type

Electric     Hydraulic     Mechanic     Fixed engagement     Pneumatic     Vacuum system

