

Outlet version
 Available option
 Control option
 Model
 PTO

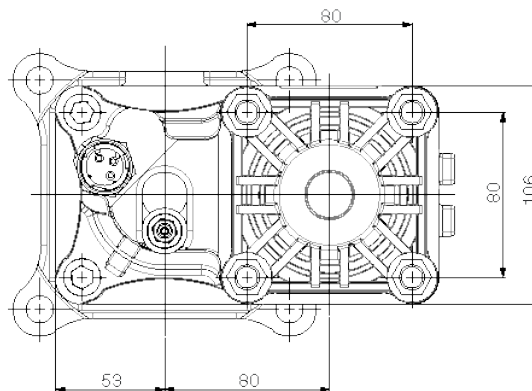
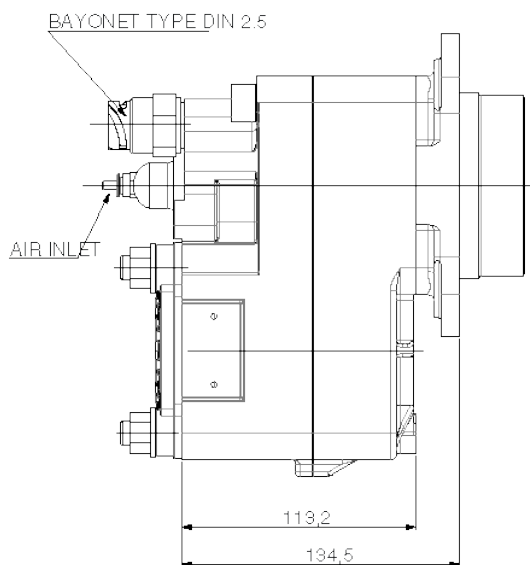
	Output 1	
Torque (Nm)	430	
Int. ratio	1,292	
Number of axles	2	

Number of teeth	12
Module	3,25
Replace	
Replaced by	

03/10/2013

Command type

- Electric
 Hydraulic
 Mechanical
 Fixed engagement
 Pneumatic
 Vacuum system



VEHICLE MOTION DIRECTION

