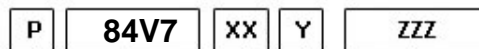
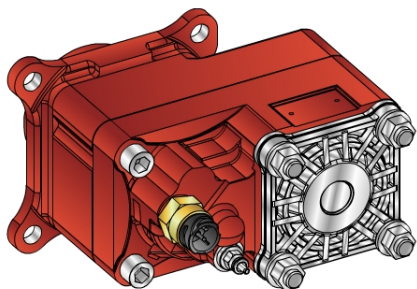




### #PTO POS. H. D. VOLVO VT CON RETARD.



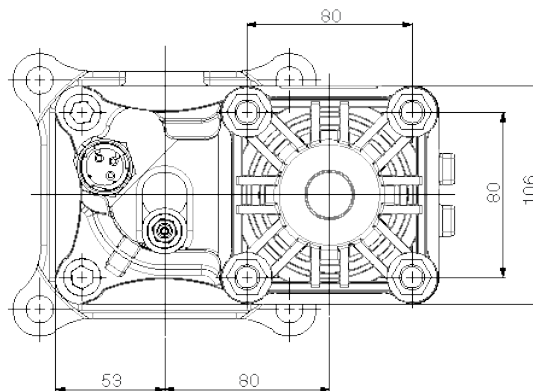
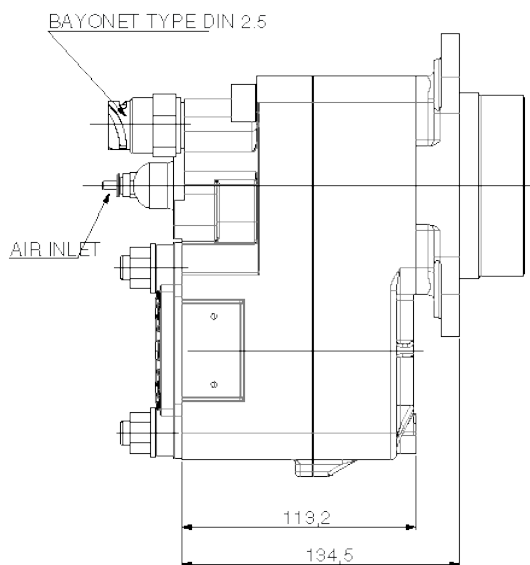
Outlet version  
 Available option  
 Control option  
 Model  
 PTO

	<b>Output 1</b>		<b>Number of teeth</b>	12
<b>Torque (Nm)</b>	430		<b>Module</b>	3,25
<b>Int. ratio</b>	1,292		<b>Replace</b>	
<b>Number of axles</b>	2		<b>Replaced by</b>	

03/10/2013

### Command type

- Electric     
  Hydraulic     
  Mechanical     
  Fixed engagement     
  Pneumatic     
  Vacuum system



VEHICLE MOTION DIRECTION

