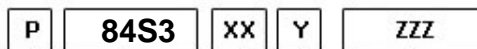
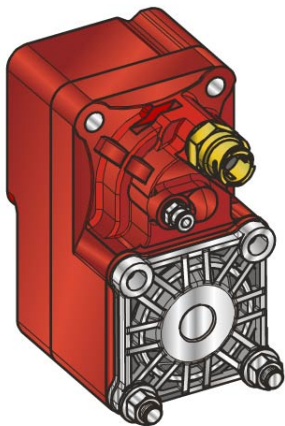




### #PTO POST CAMBIO SCANIA GRS GR50 R0.9

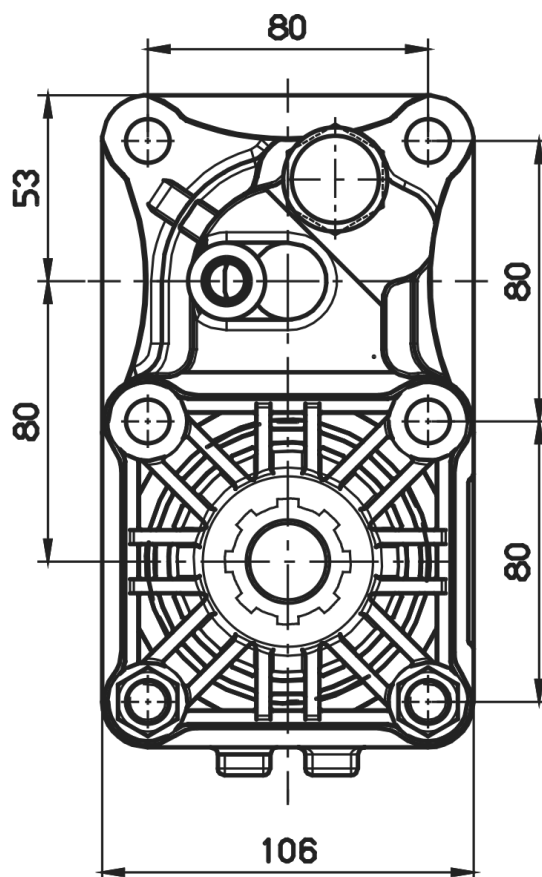
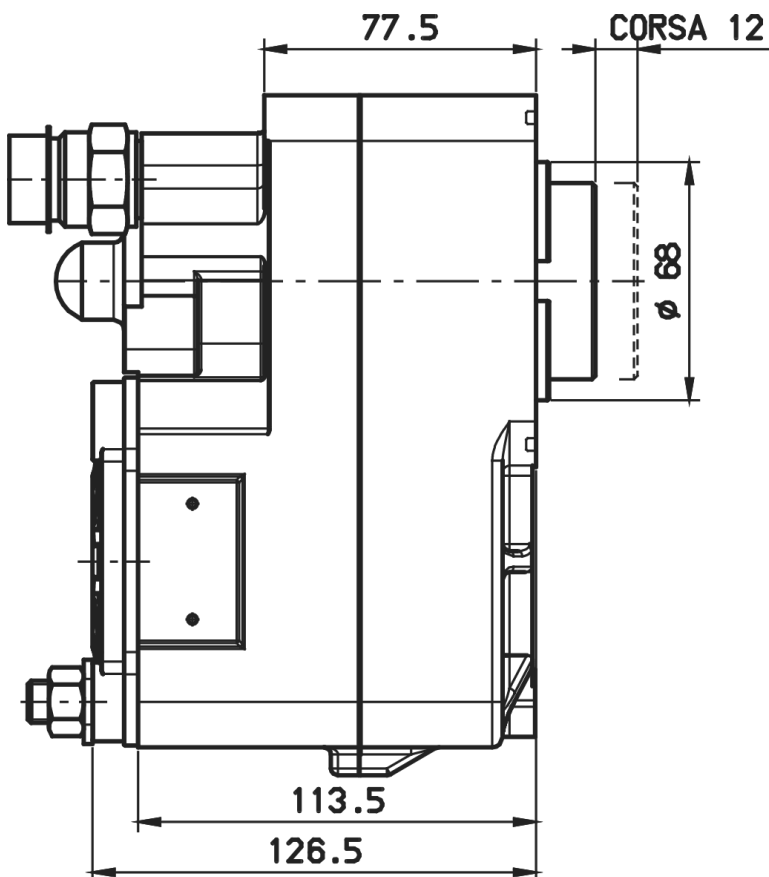


Outlet version  
 Available option  
 Control option  
 Model  
 PTO

	<b>Output 1</b>		<b>Number of teeth</b>	12
<b>Torque (Nm)</b>	500		<b>Module</b>	3,25
<b>Int. ratio</b>	0,9		<b>Replace</b>	
<b>Number of axles</b>	2		<b>Replaced by</b>	

### Command type

Electric   
  Hydraulic   
  Mechanical   
  Fixed engagement   
  Pneumatic   
  Vacuum system



**SENSO DI MARCIA**  
**VEHICLE MOTION DIRECTION**

