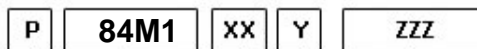
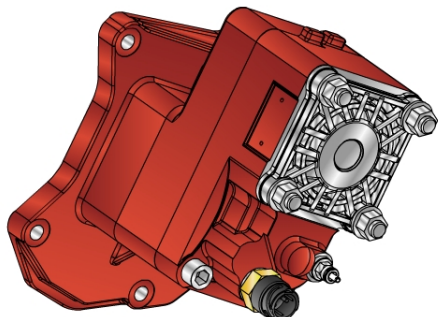




#PTO POS. H. D. MERCEDES ACTROS



Outlet version
 Available option
 Control option
 Model
 PTO

	Output 1		Number of teeth	12
Torque (Nm)	430		Module	3,25
Int. ratio	1,292		Replace	
Number of axles	2		Replaced by	

03/10/2013

Command type

- Electric
 Hydraulic
 Mechanical
 Fixed engagement
 Pneumatic
 Vacuum system

