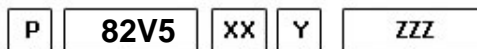
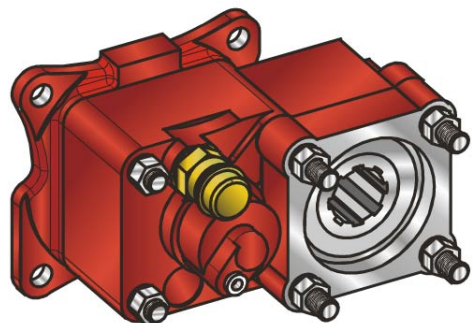




#PTO POS. L. D. VOLVO SR CON RETARD.



Outlet version
 Available option
 Control option
 Model
 PTO

	Output 1		Number of teeth	12
Torque (Nm)	300		Module	3,25
Int. ratio	1,318		Replace	
Number of axles	2		Replaced by	

Command type

Electric Hydraulic Mechanical Fixed engagement Pneumatic Vacuum system

